

JVC

SERVICE MANUAL

COMPACT COMPONENT SYSTEM

CA-V808T

Cassette Mechanism NEXT W2M
CD Traverse Mechanism C3CN
Optical Pickup OPTIMA-150S
CD Signal Processor MN35510



Area Suffix

UB	Hong kong
UF	China
US	Singapore
U	Other Area

Contents

Safety Precautions	1-2	General Descriptions of TOC	
Important for Laser Products	1-3	(Table of Contents) readings	2-46~50
Instructions	1-4~30	Standard Schematic Diagrams	3-1~8
Location of Main Parts	2-1,2	Location of P.C. Board Parts	3-9~16
Removal of Main Parts	2-3~20	Parts List	4-1~24
Main Adjustment	2-21~25	CD Traverse Mechanism Exploded View	4-2,3
Flow of Function Operation until TOC Read	2-26	CD Mechanism Ass'y	4-3
Maintenance&Replacement of Laser Pickup	2-27	General Exploded View	4-4,5
Description for IC	2-28~42	Cassette Mechanism Exploded View	4-6
Block Level Diagrams	2-43	Electrical Parts	4-7~22
Wiring Connections	2-44	Packing Materials and Parts Numbers	4-23,24
Self Diagnosis Function of CD	2-45		

Safety Precautions

1. This design of this product contains special hardware and many circuits and components specially for safety purposes. For continued protection, no changes should be made to the original design unless authorized in writing by the manufacturer. Replacement parts must be identical to those used in the original circuits. Services should be performed by qualified personnel only.
2. Alterations of the design or circuitry of the product should not be made. Any design alterations of the product should not be made. Any design alterations or additions will void the manufacturer's warranty and will further relieve the manufacture of responsibility for personal injury or property damage resulting therefrom.
3. Many electrical and mechanical parts in the products have special safety-related characteristics. These characteristics are often not evident from visual inspection nor can the protection afforded by them necessarily be obtained by using replacement components rated for higher voltage, wattage, etc. Replacement parts which have these special safety characteristics are identified in the Parts List of Service Manual. Electrical components having such features are identified by shading on the schematics and by (\triangle) on the Parts List in the Service Manual. The use of a substitute replacement which does not have the same safety characteristics as the recommended replacement parts shown in the Parts List of Service Manual may create shock, fire, or other hazards.
4. The leads in the products are routed and dressed with ties, clamps, tubings, barriers and the like to be separated from live parts, high temperature parts, moving parts and/or sharp edges for the prevention of electric shock and fire hazard. When service is required, the original lead routing and dress should be observed, and it should be confirmed that they have been returned to normal, after re-assembling.

5. Leakage current check (Electrical shock hazard testing)

After re-assembling the product, always perform an isolation check on the exposed metal parts of the product (antenna terminals, knobs, metal cabinet, screw heads, headphone jack, control shafts, etc.) to be sure the product is safe to operate without danger of electrical shock.

Do not use a line isolation transformer during this check.

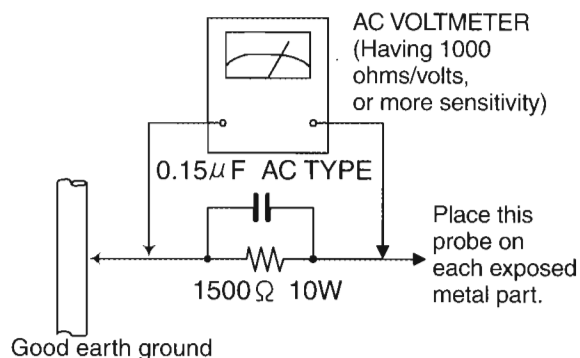
- Plug the AC line cord directly into the AC outlet. Using a "Leakage Current Tester", measure the leakage current from each exposed metal parts of the cabinet, particularly any exposed metal part having a return path to the chassis, to a known good earth ground. Any leakage current must not exceed 0.5mA AC (r.m.s.)

- Alternate check method

Plug the AC line cord directly into the AC outlet. Use an AC voltmeter having, 1,000 ohms per volt or more sensitivity in the following manner. Connect a 1,500 Ω 10W resistor paralleled by a 0.15 μ F AC-type capacitor between an exposed metal part and a known good earth ground.

Measure the AC voltage across the resistor with the AC voltmeter.

Move the resistor connection to each exposed metal part, particularly any exposed metal part having a return path to the chassis, and measure the AC voltage across the resistor. Now, reverse the plug in the AC outlet and repeat each measurement. voltage measured Any must not exceed 0.75 V AC (r.m.s.). This corresponds to 0.5 mA AC (r.m.s.).



Warning

1. This equipment has been designed and manufactured to meet international safety standards.
2. It is the legal responsibility of the repairer to ensure that these safety standards are maintained.
3. Repairs must be made in accordance with the relevant safety standards.
4. It is essential that safety critical components are replaced by approved parts.
5. If mains voltage selector is provided, check setting for local voltage.

⚠ CAUTION Burrs formed during molding may be left over on some parts of the chassis. Therefore, pay attention to such burrs in the case of performing repair of this system.

Important for Laser Products

1. CLASS 1 LASER PRODUCT

2. DANGER : Invisible laser radiation when open and interlock failed or defeated. Avoid direct exposure to beam.

3. CAUTION : There are no serviceable parts inside the Laser Unit. Do not disassemble the Laser Unit. Replace the complete Laser Unit if it malfunctions.

4. CAUTION : The compact disc player uses invisible laserradiation and is equipped with safety switches which prevent emission of radiation when the drawer is open and the safety interlocks have failed or are defeated. It is dangerous to defeat the safety switches.

5. CAUTION : If safety switches malfunction, the laser is able to function.

6. CAUTION : Use of controls, adjustments or performance of procedures other than those specified herein may result in hazardous radiation exposure.



CAUTION Please use enough caution not to see the beam directly or touch it in case of an adjustment or operation check.

VARNING : Osynlig laserstrålning är denna del är öppnad och spårren är urkopplad. Betrakta ej strålen.

VARO : Avattaessa ja suojalukitus ohitettaessa olet alttiina näkymättömälle lasersäteilylle. Älä katso säteeseen.

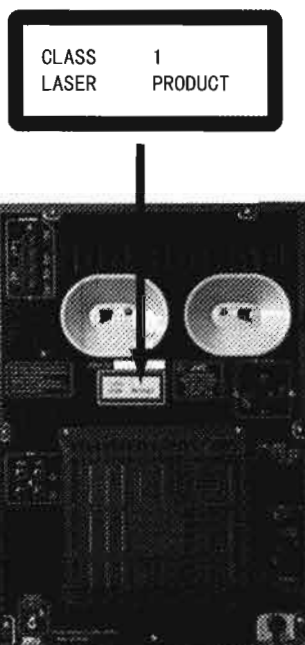
ADVARSEL : Usynlig laserstrålning ved åbning , når sikkerhedsafbrydere er ude af funktion. Undgå udsættelse for stråling.

ADVARSEL : Usynlig laserstrålning ved åbning, når sikkerhedsbryteren er avslott. unngå utsettelse for stråling.

REPRODUCTION AND POSITION OF LABELS

WARNING LABEL

(UB Only)



VARO : Avattaessa ja suojalukitus ohitettaessa olet alttiina näkymättömälle lasersäteilylle. Älä katso säteeseen. (d)

ADVARSEL : Usynlig laserstrålning ved åbning , når sikkerhedsafbrydere er ude af funktion. Undgå udsættelse for stråling. (f)

DANGER : Invisible laser radiation when open and interlock or defeated.
AVOID DIRECT EXPOSURE TO BEAM (e)

VARNING : Osynlig laserstrålning är denna del är öppnad och spårren är urkopplad. Betrakta ej strålen. (s)

CA-V808T Rear Panel

Location of Main Parts

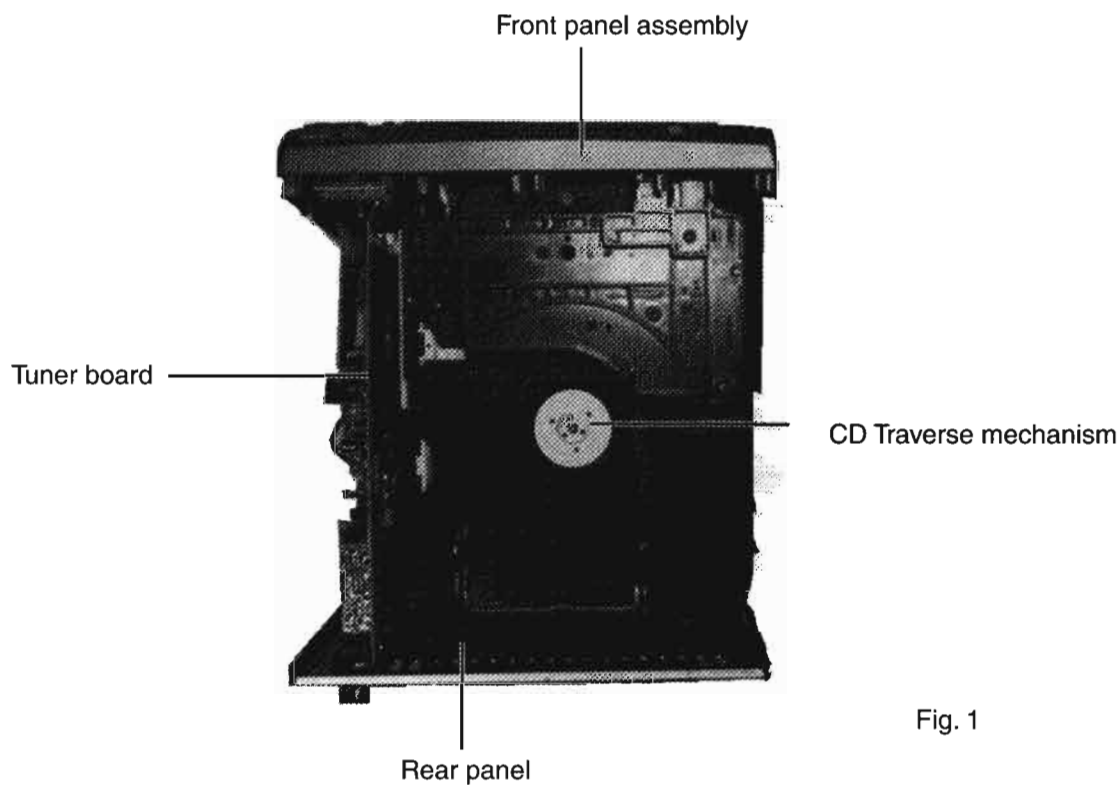


Fig. 1

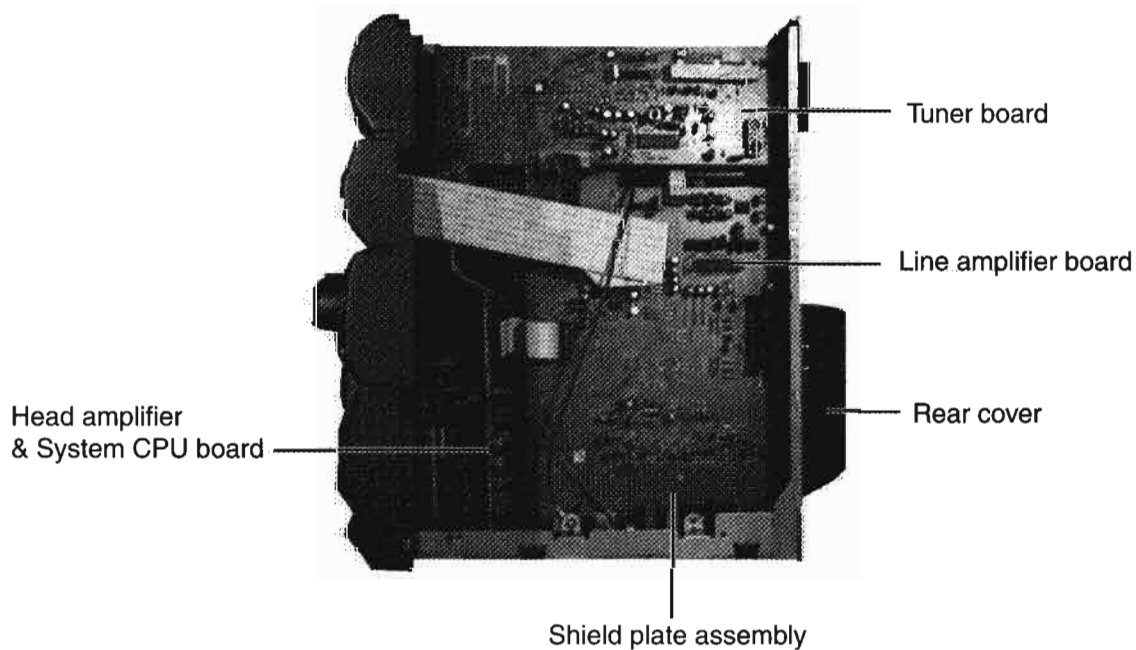
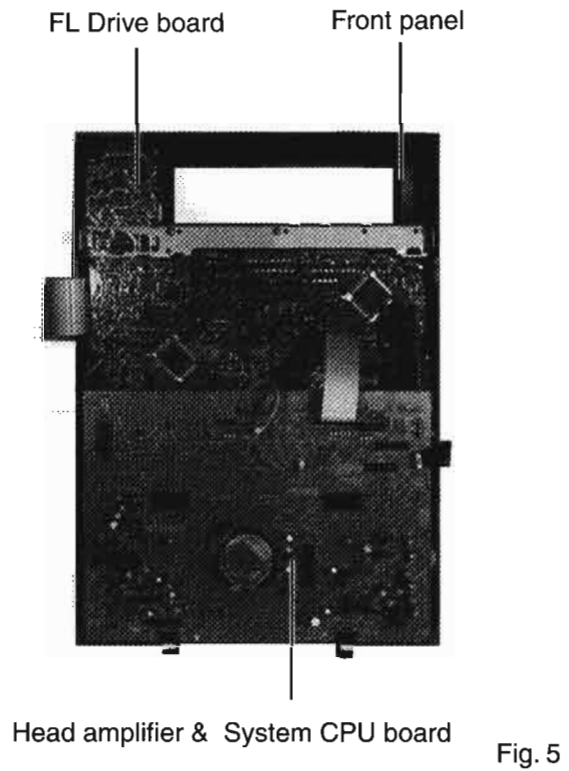
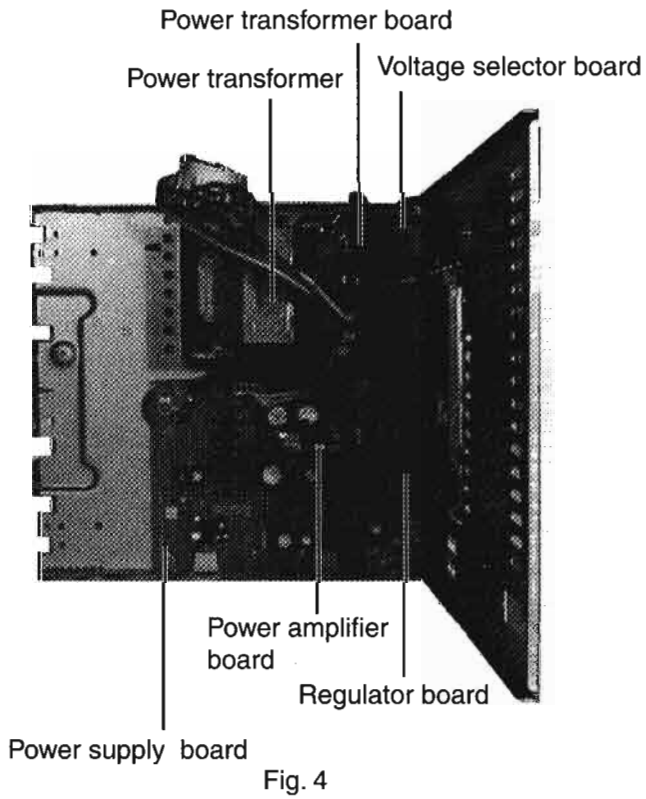
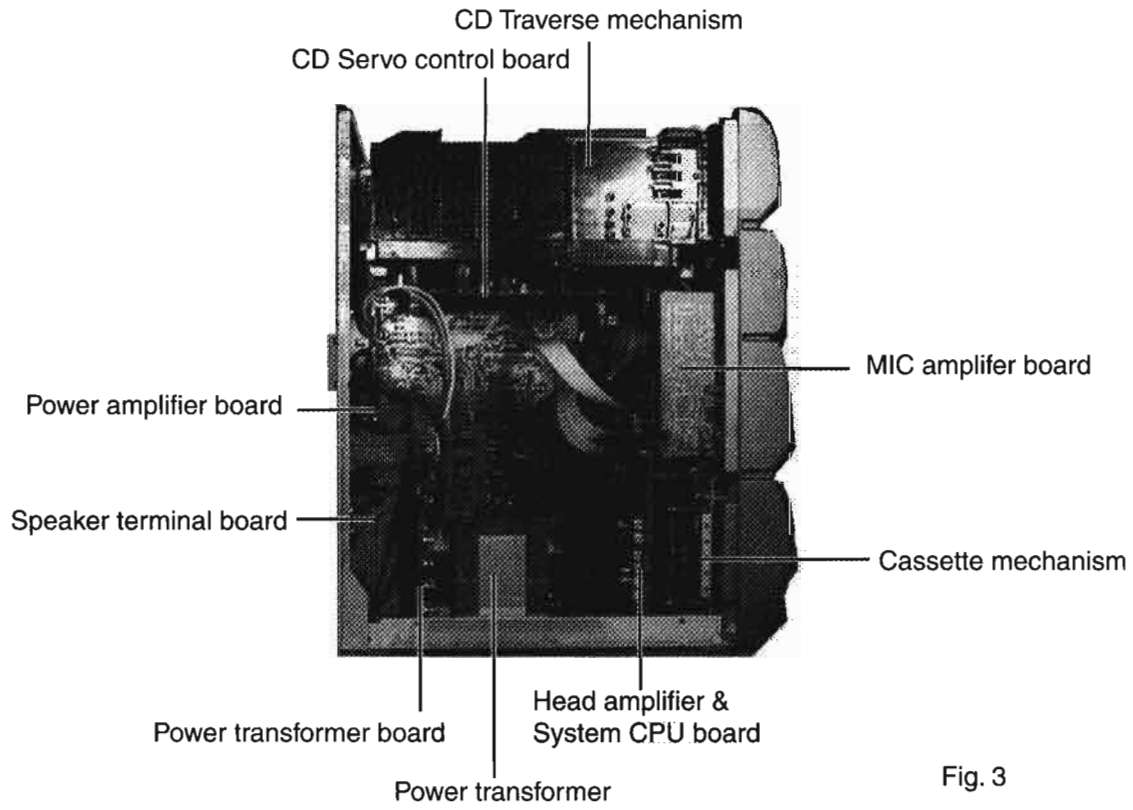


Fig. 2

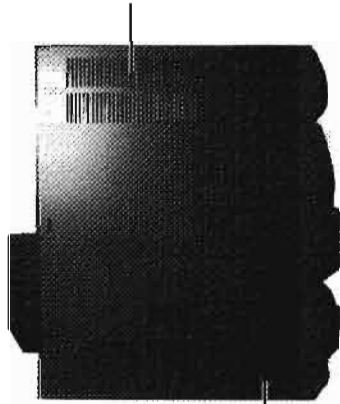


Removal of Main Parts

■ Removal of the Metal Cover (See Figs 1,2)

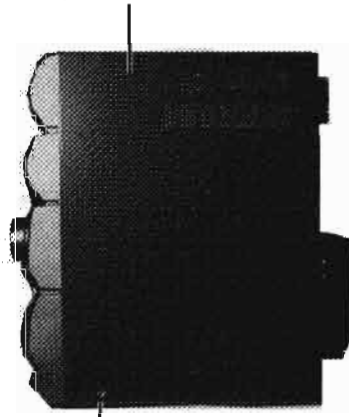
1. Remove the six screws ① fastening the metal cover to the rear panel of the main unit. (See Fig.1)
2. Remove the six screws ② fastening the metal cover to the side panel of the main unit. (See Fig.2)
3. Separate both sides of the metal cover outward and remove from the back panel by lifting upward.

Left side of Metal cover



②

Right side of Metal cover



②

Fig.2

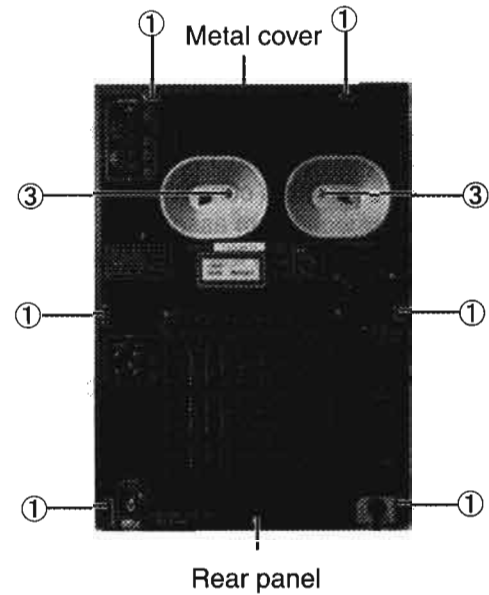


Fig.1

■ Removal of the CD Traverse Mechanism Assembly (See Figs 1,3 ~5)

1. Remove the metal cover.
2. Remove the two screws ③ fastening the CD traverse mechanism assembly to the rear panel of the main unit. (See Fig.1)
3. Remove the two screws ④ fastening the CD traverse mechanism assembly to the side panel of the main unit. (See Fig.3,4)

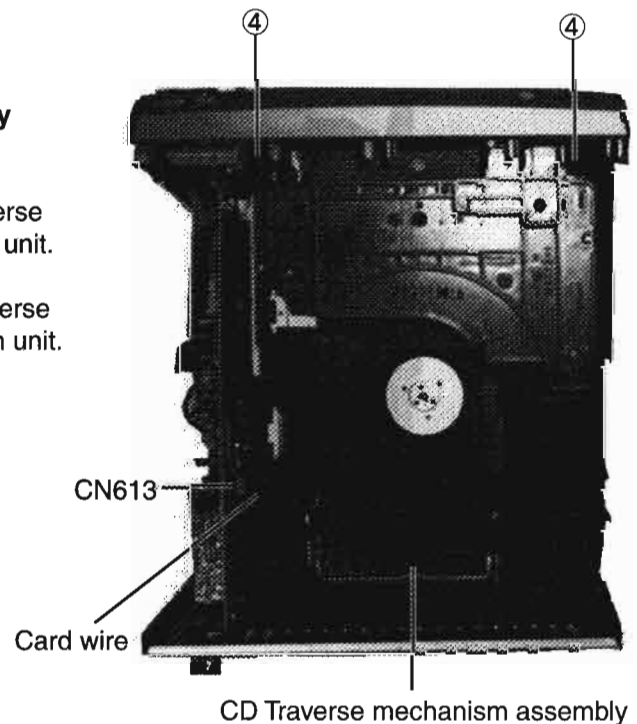


Fig. 3

■ Removal of the Front Panel Assembly (See Figs 6,7)

1. Remove the metal cover.
2. Remove the CD traverse mechanism assembly.
3. Remove the two screws ⑧ fastening the front panel assembly to the bottom of the main unit.(See Fig.6)
4. Disconnect the card wires connected to the front panel assembly from connectors CN411 and CN412 on the line amplifier board.(See Fig. 7)
5. Separate the front panel assembly and main unit..

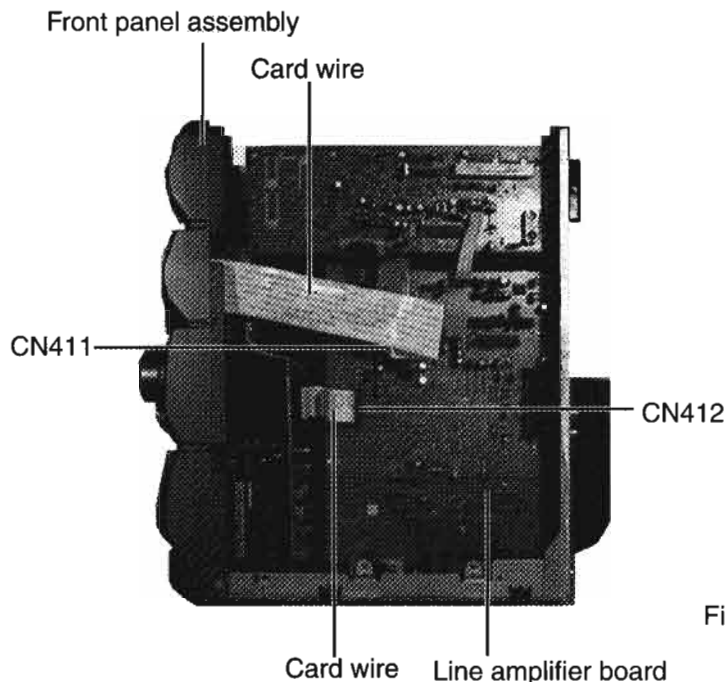


Fig. 7

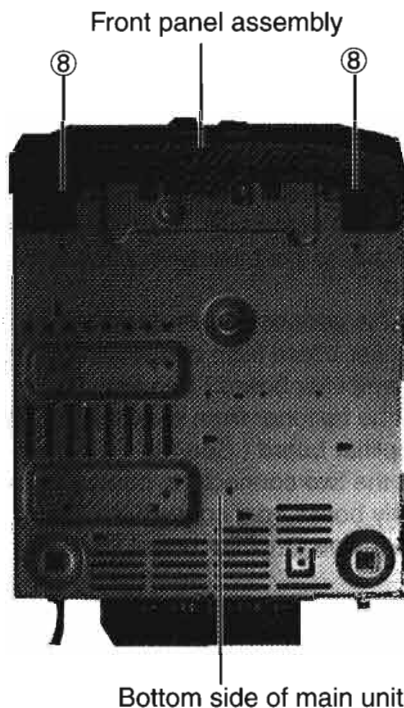


Fig. 6

《 Main Unit Section 》

■ Removal of the PowerTransformer Assembly (See Figs 8, 9)

1. Remove the metal cover.
2. Remove the CD traverse mechanism assembly.
3. Remove the front panel assembly.
4. Remove the two screws ⑨ fastening the voltage select switch to the back side of the main unit.(See Fig.8)
5. Remove the four screws ⑩ fastening the power transformer assembly to the back side of the main unit.(See Fig. 9)
5. Disconnect the connector wires connected to the power transformer board from connectors CN111 and CN009 on the power amplifier board. (See Fig. 9)
7. Disengage the cord clamp, and dissolder the power cord from the power transformer board.

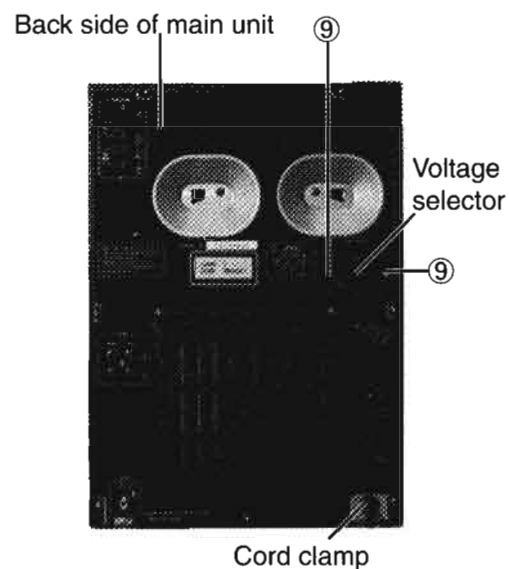


Fig. 8

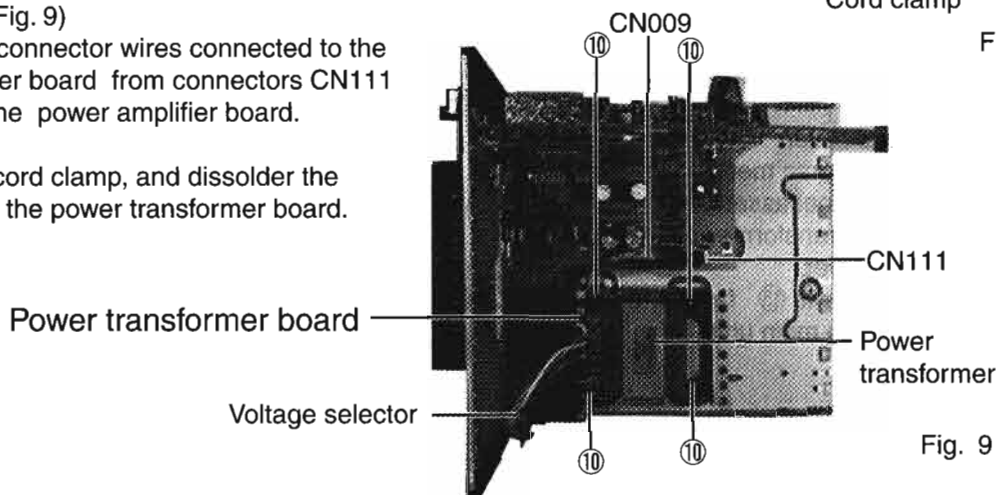


Fig. 9

■ **Removal of the Tuner and Line Amplifier Boards**
(See Figs 10, 11)

1. Remove the metal cover.
2. Remove the CD traverse mechanism assembly.
3. Remove the front panel assembly.
4. Remove the two screws ⑪ fastening the tuner board to the back side of the main unit.(See Fig. 10)
5. Remove the two screws ⑫ fastening the line amplifier board to the back side of the main unit. (See Fig. 10)
6. Disconnect the connector wire connected to the power amplifier board from connectors CN701 on the line amplifier board.(See Fig. 11)
7. Disengage the fastener from shield plate assembly and line amplifier board.(See Fig. 11)
8. Disconnect the two connectors connected to the power supply board from connectors CN016 and CN017 on the line amplifier board.(See Fig. 11)

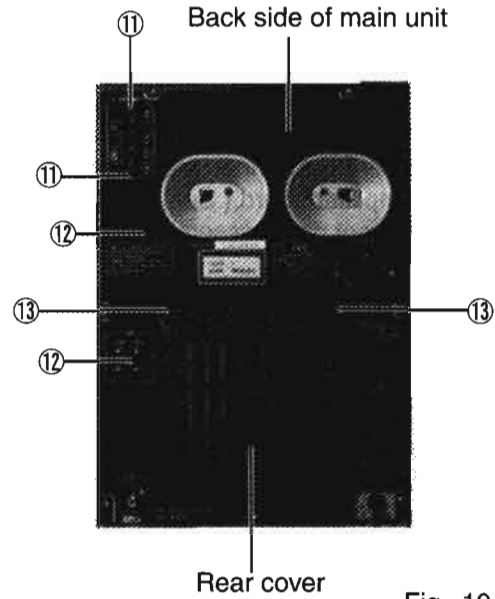


Fig. 10

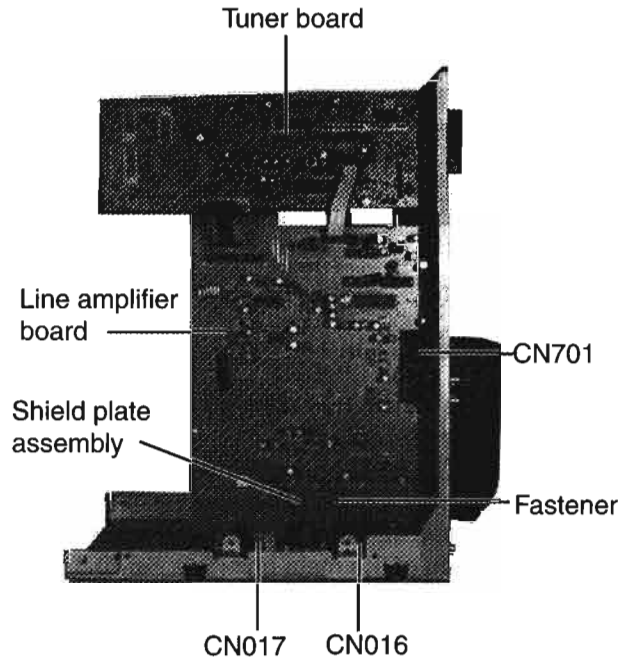


Fig. 11

■ **Removal of the Power Amplifier and other Boards**
(See Figs 10,12,13)

1. Remove the metal cover.
2. Remove the CD traverse mechanism assembly.
3. Remove the front panel assembly.
4. Remove the power transformer board assembly.
5. Remove the rear cover.
6. Remove the two screws ⑬ fastening the rear cover to the back side of the main unit.(See Fig. 10)

7. Remove the five screws ⑭ fastening the power amplifier board assembly to the back side of the main board assembly. (See Fig. 12)
8. Remove the three screws ⑮ fastening the power amplifier board assembly. (See Fig. 13)

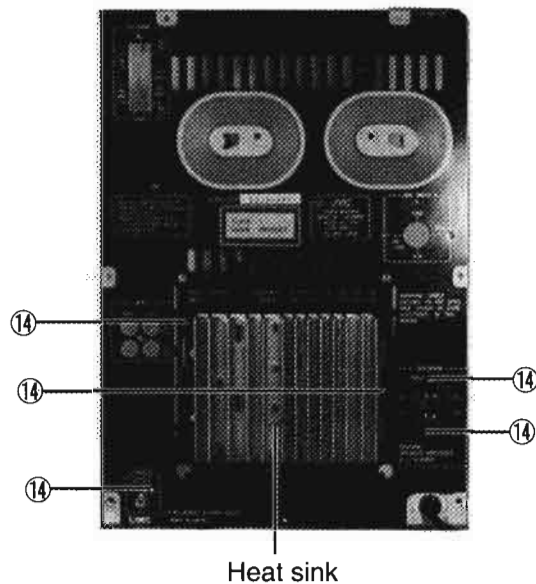


Fig. 12

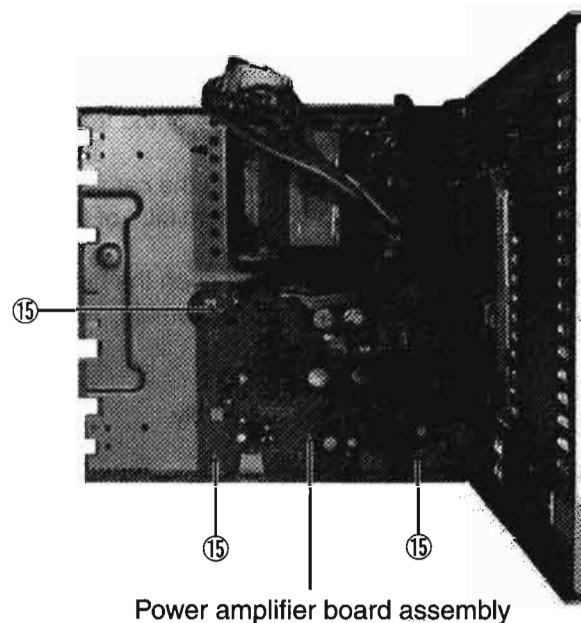


Fig. 13

《 Front Panel Assembly Section 》

■ Removal of the Head amplifier & system CPU board (See Figs 14)

1. Remove the metal cover.
2. Remove the CD traverse mechanism assembly.
3. Remove the front panel assembly.
4. Remove the two screws ⑯ fastening the head amplifier & system CPU board from the inside of the front panel assembly.(See Fig.14)
5. Disconnect the two FPCs connected to cassette mechanism assembly from connectors CN331 and CN332 on the head amplifier & system CPU board.
6. Disconnect the card wire connected to front panel assembly from connector CN322 on the head amplifier & system CPU board.
7. Disconnect the connector wire connected to mic. amplifier board from connector CN422 on the head amplifier & system CPU board.
8. Disengage the two engagements ⑰ to the cassette mechanism assembly and head amplifier & system CPU board.
9. Lift upward the head amplifier & system CPU board, and disconnect the two connectors connected to mechanism control board from the connectors CN311, CN322.

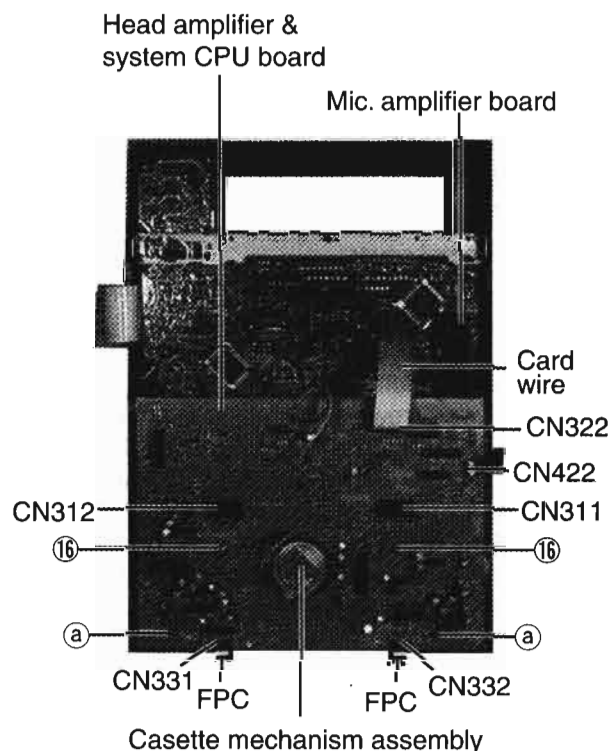


Fig. 14

**■ Removal of the Cassette Mechanism Assembly
(See Figs 15, 16)**

1. Remove the metal cover.
2. Remove the CD traverse mechanism assembly.
3. Remove the front panel assembly.
4. Remove the head amplifier & system CPU board.
5. Remove the eight screws ⑰ fastening the cassette mechanism assembly from the inside of the front panel assembly. (See Fig.15)
6. Remove the two screws ⑱ fastening the cassette mechanism assembly from the bottom side of the front panel assembly. (See Fig.16)
7. Press the both "EJECT" button and open the both door.
8. Take out the cassette mechanism assembly.

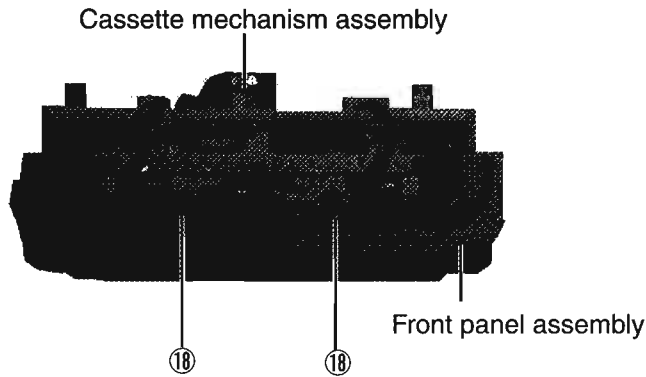


Fig. 16

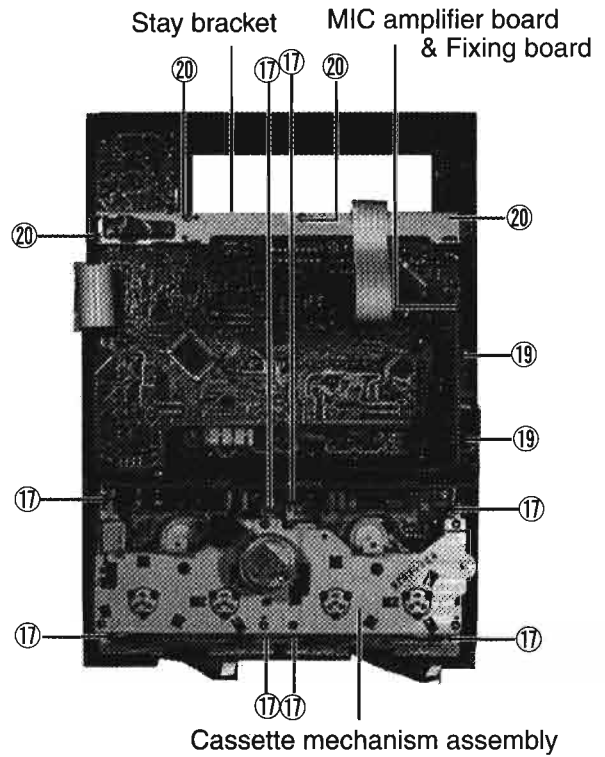


Fig. 15

**■ Removal of the FL Drive, MIC Amplifier Board
(See Figs 17)**

1. Remove the metal cover.
2. Remove the CD traverse mechanism assembly.
3. Remove the front panel assembly.
4. Remove the head amplifier & system CPU board.
5. Pull out the MIC volume knob.
6. Remove the two screws ⑲ fastening the fixing board, take out the MIC amplifier board. (See Fig.15)
6. Remove the four screws ⑳ fastening the stay bracket from the inside of the front panel assembly. (See Fig.15)
7. Remove the eleven screws ㉑ fastening the FL drive board from the inside of the front panel assembly. (See Fig.17)

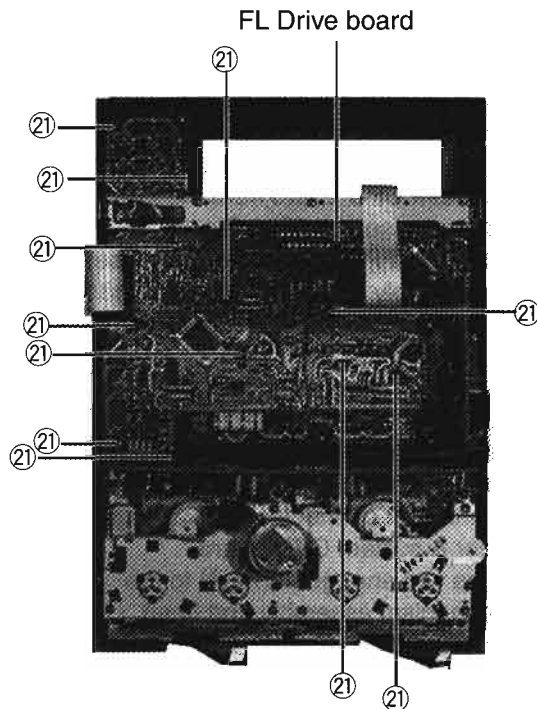


Fig. 17

■ Removal of the Operation Switch Board (See Figs 18)

1. Remove the metal cover.
2. Remove the CD traverse mechanism assembly.
3. Remove the front panel assembly.
4. Remove the MIC amplifier board.
5. Remove the stay bracket.
6. Remove the FL driver board.
7. Remove the five screws ⑰ fastening the operation switch board..(See Fig.18)

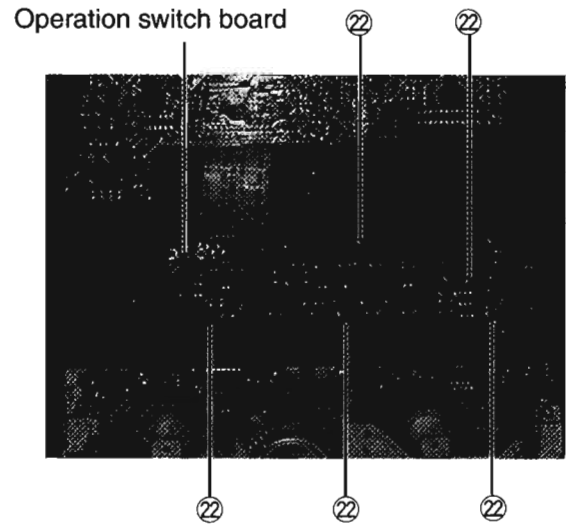


Fig. 18

■ Removal of the Mechanism Control Board (See Figs 19)

1. Remove the metal cover.
2. Remove the CD traverse mechanism assembly.
3. Remove the front panel assembly.
4. Remove the head amplifier & system CPU board.
5. Remove the two screws ⑳ mechanism control board.
6. Disconnect the two connectors to connected to reel pulse board from connectors CN313,CN314 on the mechanism control board.

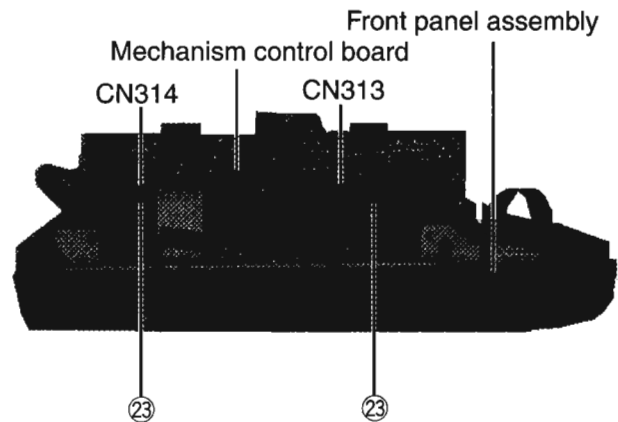


Fig. 19

«CD Traverse Mechanism Type:C3CN Section»

■ Removing the CD Servo control board
(See Fig.1)

1. Remove the Metal cover.
2. Remove the CD Traverse mechanism assembly.
3. From bottom side the CD Traverse mechanism assembly, remove the one screw 1 retaining the CD Servo control board.
4. From the connectors CN601, CN603, CN604 on the CD Servo control board, disconnect the card wire, from the connector CN602, disconnect the six pin connector wire. Disengage the two engagements "A", remove the
5. CD Servo control board.

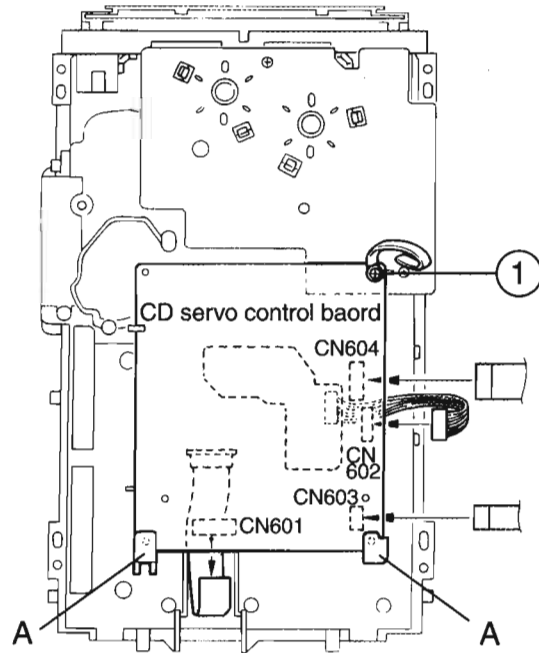


Fig.1

■ Removing the CD tray assembly
(See Fig.2~4)

1. Remove the front panel assembly.
2. Remove the CD Traverse mechanism assembly.
3. Remove the CD Servo control board.
4. From the T.bracket section "B" and clamber base section "C", remove both of the edges fixing the rod(See Fig.2 and 3).
5. Remove the screw 2 retaining the Disc stopper (See Fig.3).
6. Remove the three screws 3 retaining the T.bracket (See Fig.3).
7. Remove the screws 4 retaining the clamber assembly (See Fig.3).
8. From the left side face of the chassis assembly, remove the one screw 5 retaining both of the return spring and lock lever(See Fig. 4).
9. By removing the pawl at the section "D" fixing the return spring, dismount the return spring(See Fig.4).
10. Remove the three lock levers(See Fig.4).

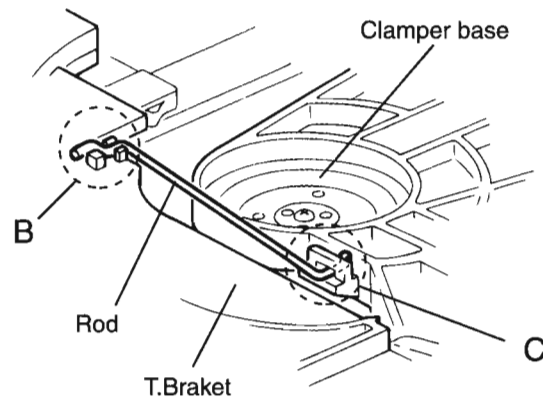


Fig.2

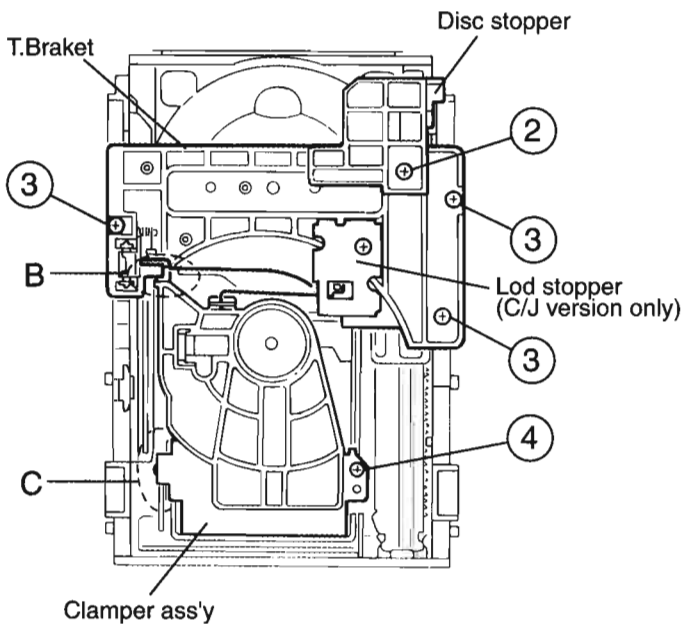


Fig.3

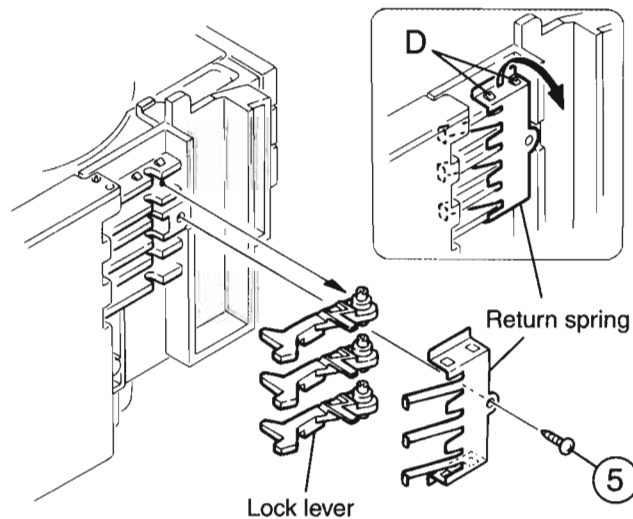


Fig.4

11. Check whether the lifter unit stopper has been caught into the hole at the section "E" of CD tray assembly as shown in Fig.5.
12. Make sure that the driver unit elevator is positioned as shown in Fig.6 from to the second or fifth hole on the left side face of the CD Traverse mechanism assembly.

[Caution] In case the driver unit elevator is not at above position, set the elevator to the position as shown in Fig.7 by manually turning the pulley gear as shown in Fig.8.

13. Manually turn the motor pulley in the clockwise direction until the lifter unit stopper is lowered from the section "E" of CD tray assembly(See Fig.8).
14. Pull out all of the three stages of CD tray assembly in the arrow direction "F" until these stages stop
(See Fig.6).
15. At the position where the CD tray assembly has stoppend, pull out the CD tray assembly while pressing the two pawls "G and G'" on the back side of CD tray assembly(See Fig.9). In this case, it is easy to pull out the assembly when it is pulled out first from the stage CD tray assembly.

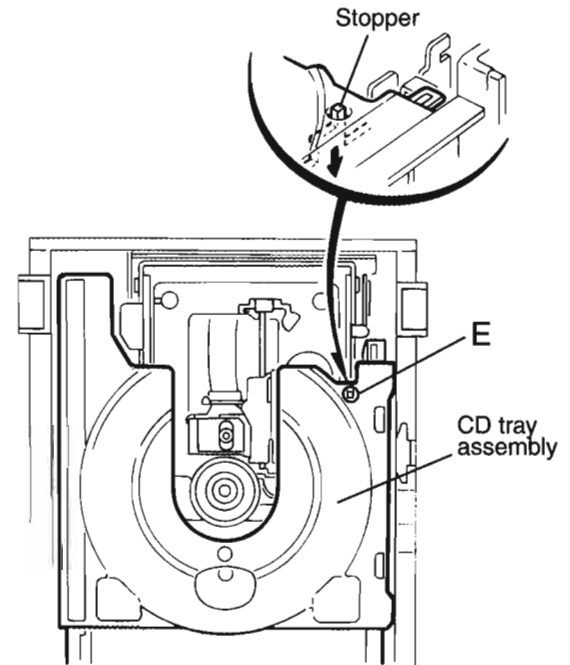


Fig.5

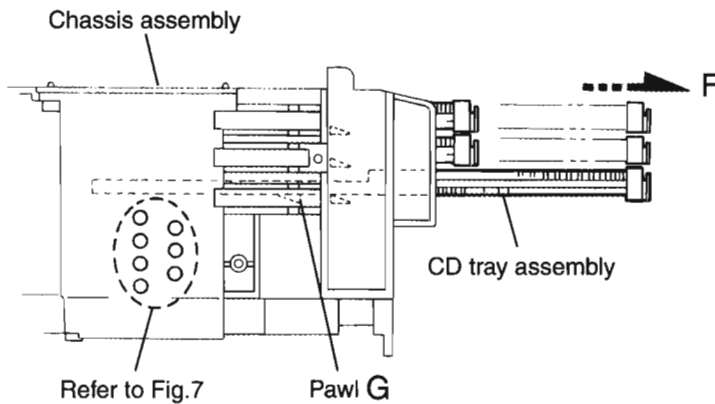


Fig.6

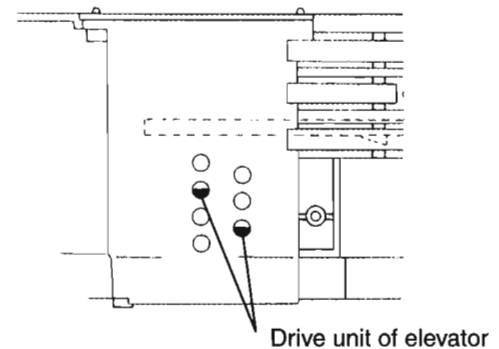


Fig.7

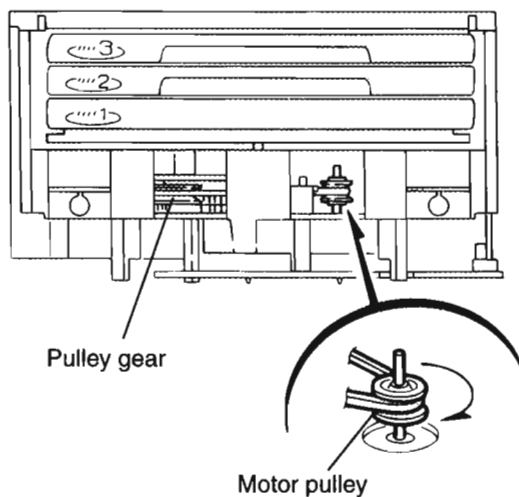


Fig.8

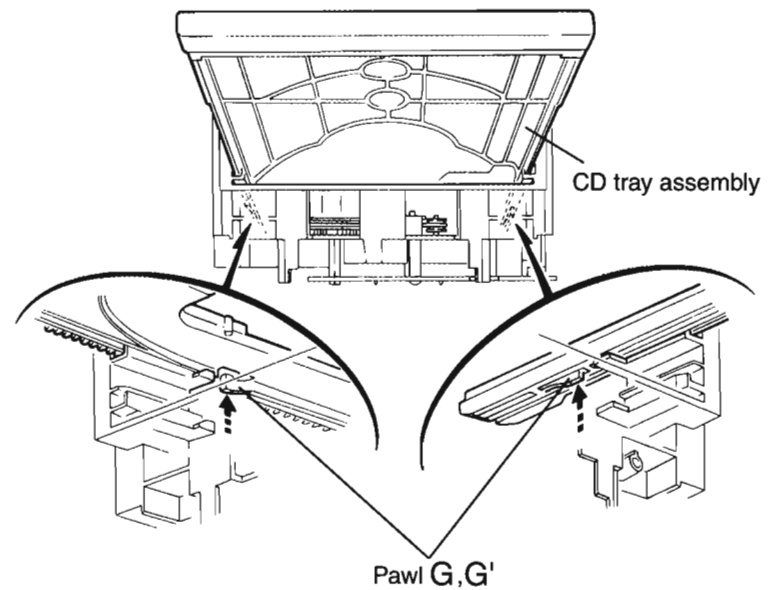


Fig.9

Removing the CD mechanism assembly(See Fig.10)

1. While turning the cams R1 and R2 assembly in the arrow direction "H" , align the shaft "I" of the CD mechanism assembly to the position shown in Fig.10.
2. Remove the four screw 6 retaining the CD mechanism assembly.

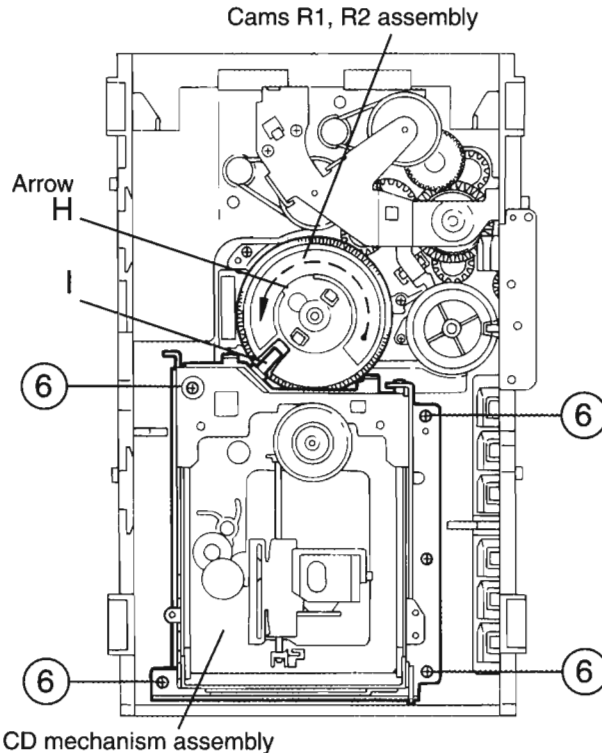


Fig.10

Removing the CD mechanism (See Fig.11 and 12)

1. For dismantling only the CD mechanism without removing the CD mechanism assembly, align the shaft "J" of the CD mechanism assembly to the position shown Fig.11 while turning the cam R1 and R2 assembly in the arrow direction "K" .
2. By raising the CD mechanism assembly in the arrow direction "L" , remove the assembly from the lifter unit (See Fig.12).

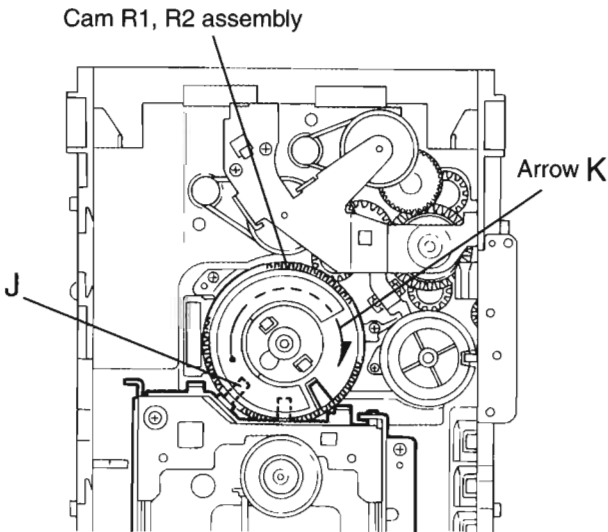


Fig.11

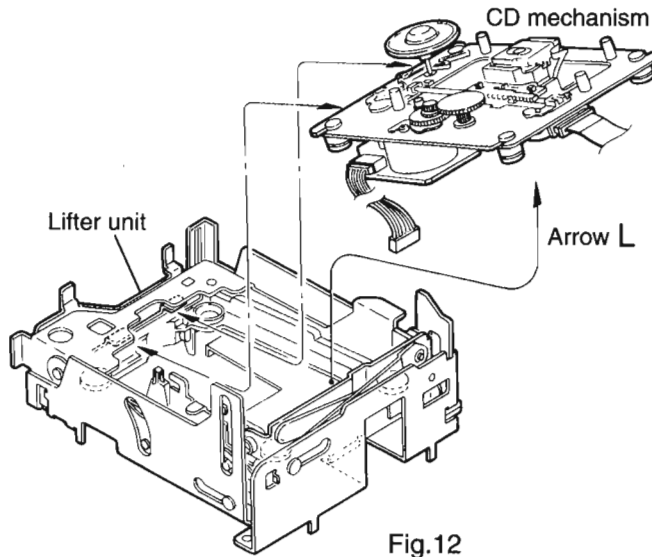


Fig.12

Removing the CD pick unit (See Fig.13)

1. Move the cam gear in the arrow direction a . Then, the CD pickup unit will be moved in the arrow direction b .
2. According to the above step, shift the CD pickup unit to the center positior.
3. While pressing the stopper retaining the shaft in the arrow direction c , pull out the shaft in the arrow direction d .
4. After dismantling the shaft from the CD pickup unit, remove the CD pickup unit

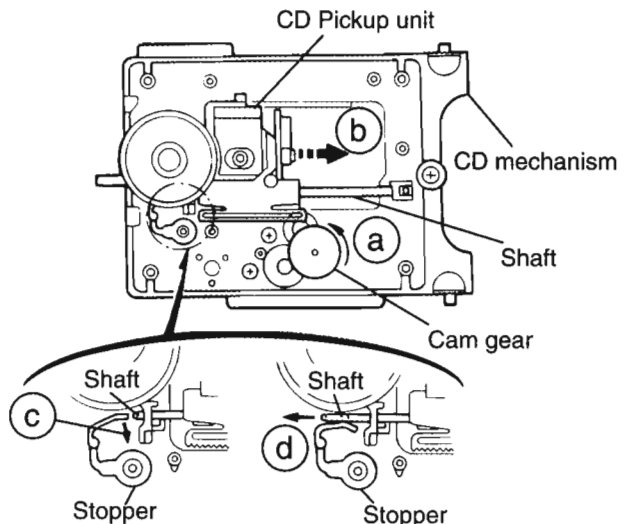


Fig.13

■ Removing the actuator motor board (See Fig.14, 15)

1. Absorb the four soldered positions "M" of the right and left motors with a soldering absorber(See Fig.14).
2. Remove the two screws 7 retaining the actuator motor board(See Fig.14).
3. Remove the two screws 8 retaining the tray select switch board(See Fig.15).

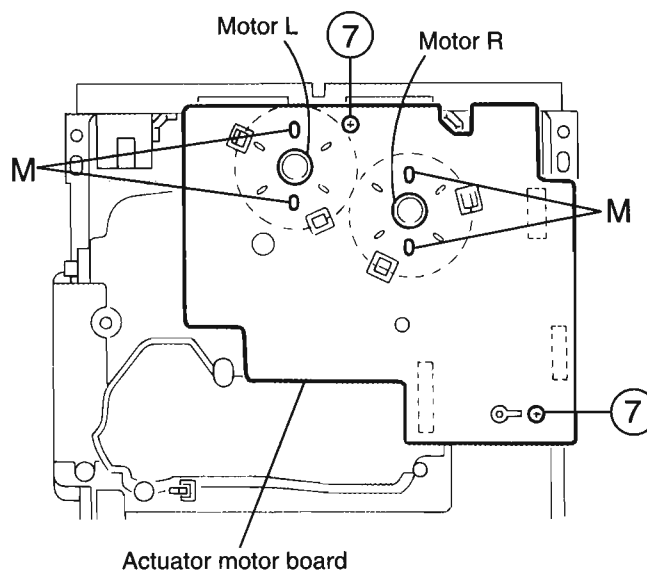


Fig.14

■ Removing the can unit (See Fig.15 ~18)

1. Remove the CD mechanism assembly.
2. While turning the cam gear L, align the pawl "N" position of the drive unit to the notch position(Fig.15) on the cam gear L.
3. Pull out the drive unit and cylinder gear(See Fig.17).
4. While turning the cam gear L, align the pawl "O" position of the select lever to the notch position(Fig.18) on the cam gear L.
5. Remove the four screws 9 retaining the cam unit(cam gear L and cams R1/R2 assembly)(See Fig.18).

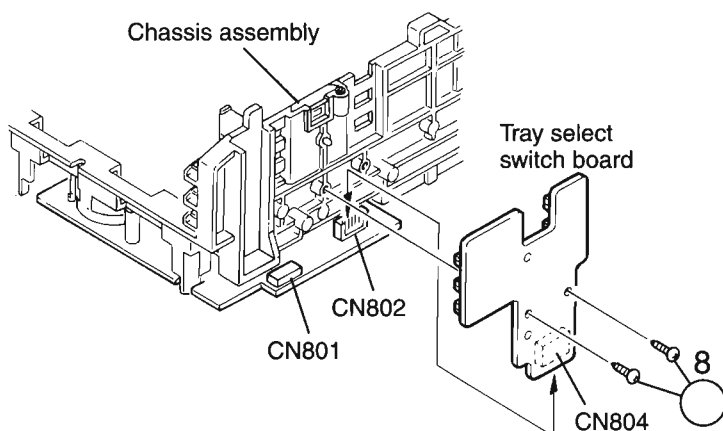


Fig.15

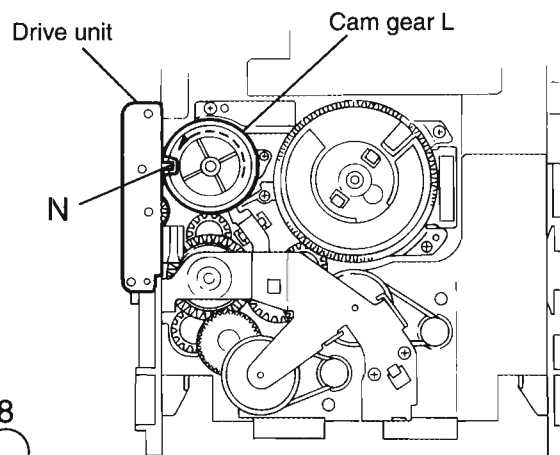


Fig.16

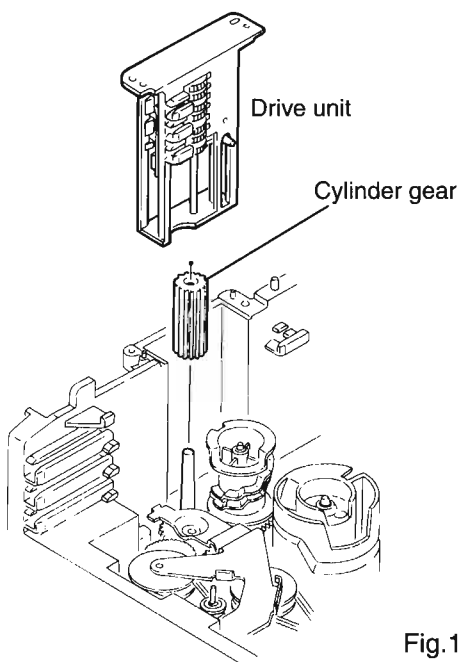


Fig.17

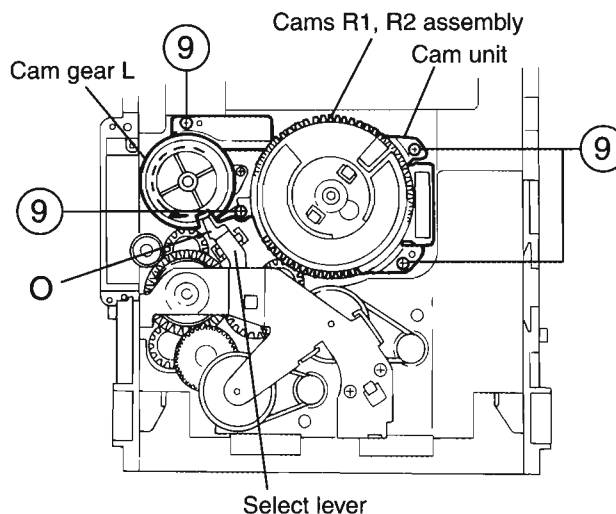


Fig.18

**■ Removing the actuator motor and belt
(See Fig.19~22)**

1. Remove the two screws 10 retaining the gear bracket
(See Fig.19).
2. While pressing the pawl "P" fixing the gear bracket in the arrow direction, remove the gear bracket
(See Fig.19).
3. From the notch "Q section" on the chassis assembly fixing the edge of gear bracket, remove and take out the gear bracket(See Fig. 20).
4. Remove the belts respectively from the right and left actuator motor pulleys and pulley gears(See Fig. 19).
5. After turning over the chassis assembly, remove the actuator motor while spreading the four pawls "R" fixing the right and left actuator motors in the arrow direction(See Fig. 21).

[Note] When the chassis assembly is turned over under the conditions wherein the gear bracket and belt have been removed, then the pulley gear as well as the gear, etc. constituting the gear unit can possibly be separated to pieces. In such a case, assemble these parts by referring to the assembly and configuration diagram in Fig. 22.

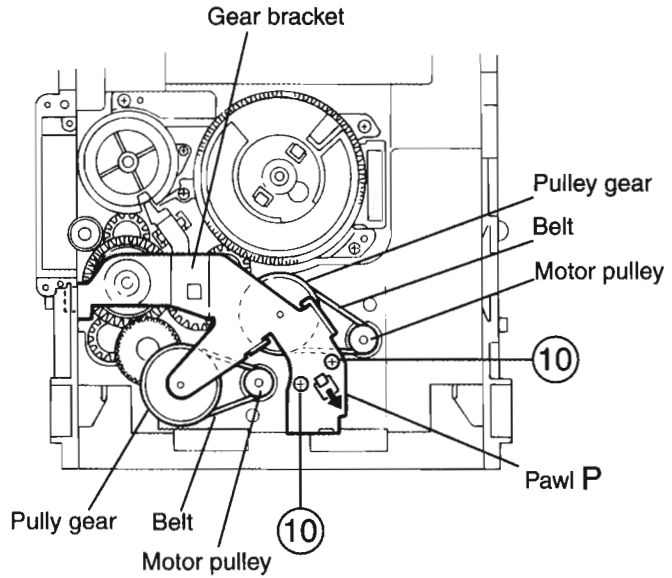


Fig.19

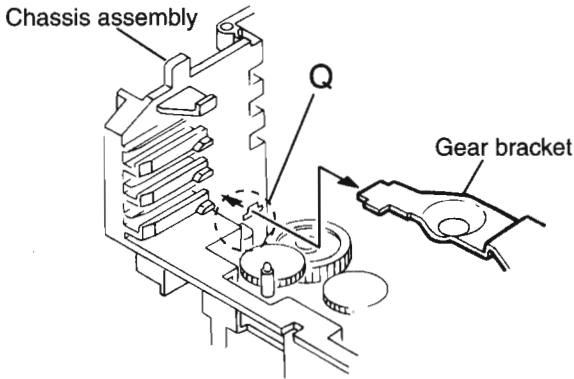


Fig.20

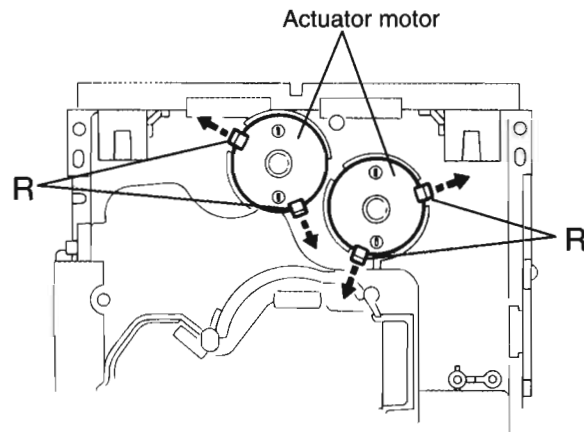


Fig.21

Assembly and Configuration Diagram

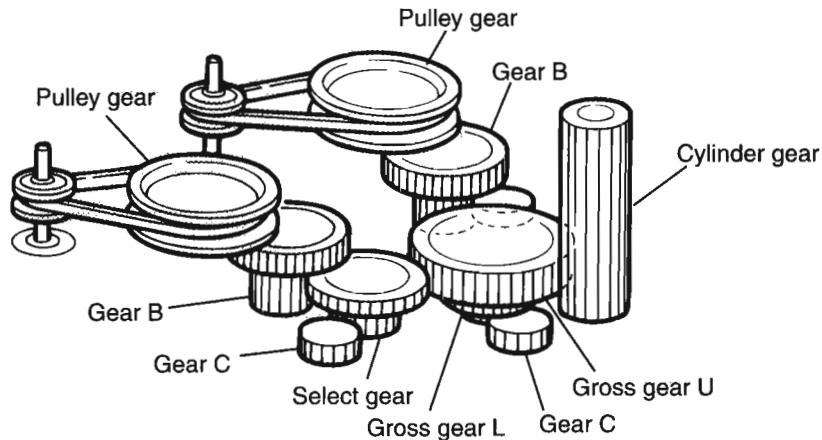


Fig.22

■ Removing the cams R1/R2 assembly and cam gear L (See Fig.23)

1. Remove the slit washer fixing the cams R1 and R2 assembly.
2. By removing the two pawls "S" fixing the cam R1, separate R2 from R1.
3. Remove the slit washer fixing the cam gear L.
4. Pull out the cam gear L from the C.G. base assembly.

■ Removing the C.G. base assembly (See Fig.23 and 24)

Remove the three screws 11 retaining the C.G. base assembly.

[Caution] To reassemble the cylinder gear, etc. with the cam unit (cam gear and cans R1/R2 assembly), gear unit and drive unit, align the position of the pawl "N" on the drive unit to that of the notch on the cam gear L. Then, make sure that the gear unit is engaged by turning the cam gear L (See Fig. 24).

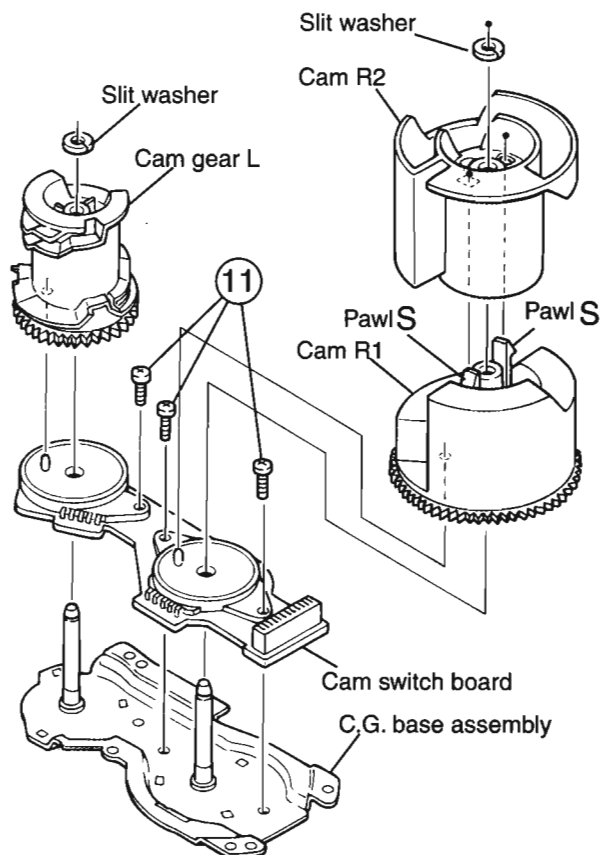


Fig.23

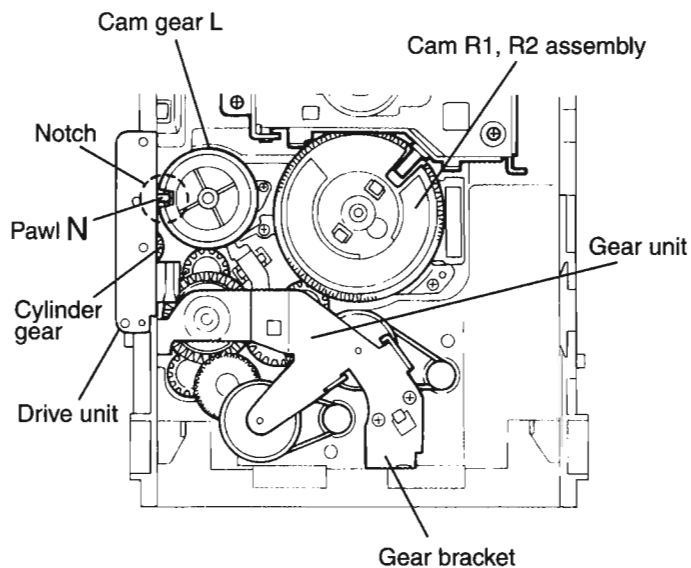


Fig.24

«Cassette Mechanism(Type:NEXT-W2M)Section»

■Head assembly removal(See Fig.1)

1. Remove the Cassette mech. ass'y.
2. Remove the flexible wire from the cassette deck and remove the 3 screws 1 holding the head ass'y.

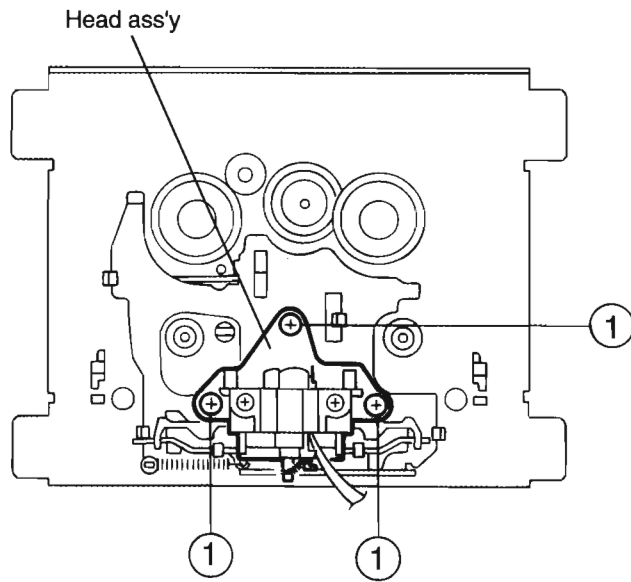


Fig.1

■Head assembly(See Fig.2~3)

1. The direction of the head is changed with the direction lever. When servicing, install the direction lever according to the direction of the head assembly.

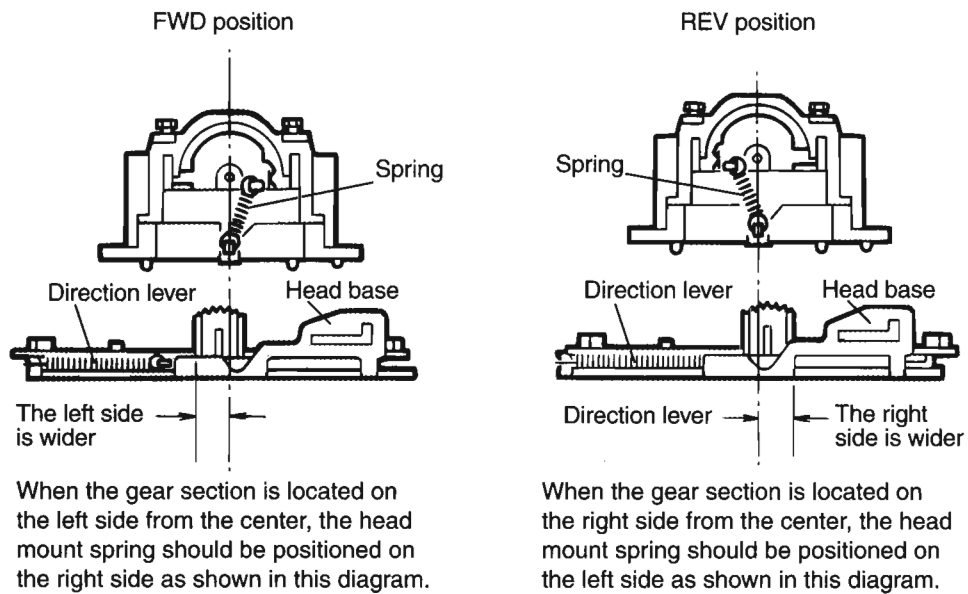


Fig.2

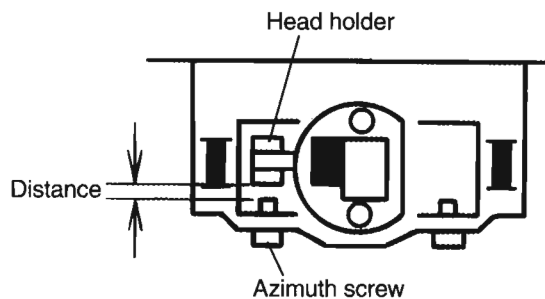


Fig.3

■ Pinch roller(FWD/REV)removal (See Fig.4)

1. Remove the cassette mech. assembly.
2. Remove the hook (a) holding the pinch roller.
3. Remove the pinch roller ass'y.

At the time of assembly,
the stud should be inserted
into the direction lever.

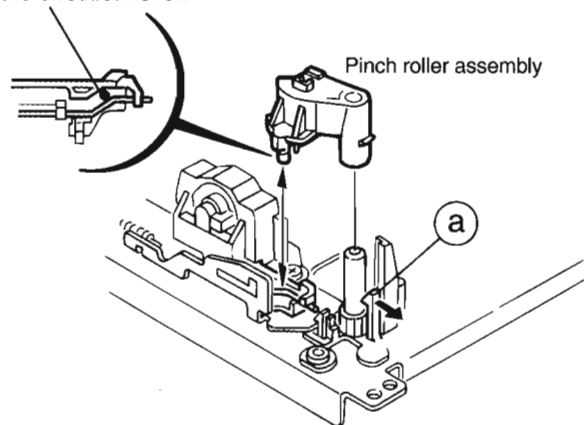


Fig.4

■ Capstan motor removal(See Fig.5~7)

1. Remove the cassette mechanism.
2. Remove the cassette deck control PCB.
3. Remove the 6 screws ② holding the bracket.
4. Remove the hooks (b) of the bracket.
5. Put the cutting on the flywheel A together the bracket's pall as shown in fig.5(Flywheel A)and check that the flywheel B is removed from the bracket's pall(fig.5,6 Flywheel B).
6. Remove the capstan motor with the bracket.
7. Unsolder the broken flat wire of the capstan motor.
8. Remove the 2 screws fixing the motor and the bracket.

*To remove the bracket, it is easier to remove mech "B" first.

Vice versa, assembling mech "B" is easier for ressembly.

■ Flywheel removal(See Fig.5~7)

1. Remove the cassette mechanism assembly.
2. Remove the cassette amp PCB.
3. Remove the 6 screws ② and the bracket.
4. Remove the 4 hooks of the bracket.
5. Remove the bracket.
6. Remove the flywheel.

*The oil on the capstan must be wiped out after ressembling.

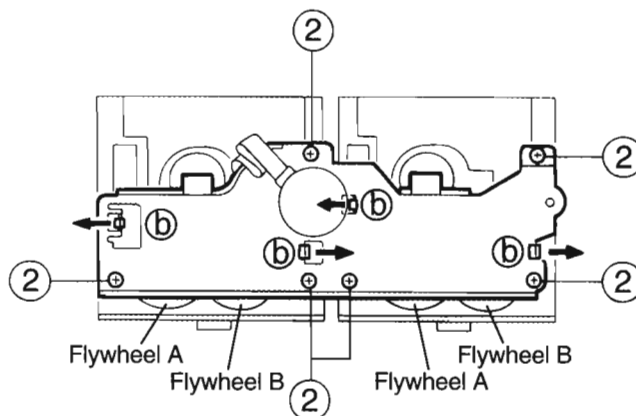


Fig.5

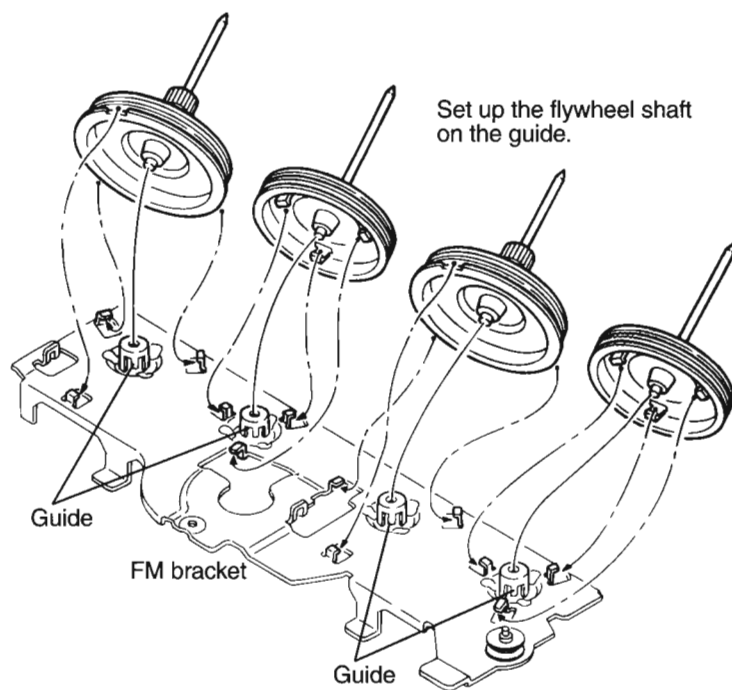


Fig.6

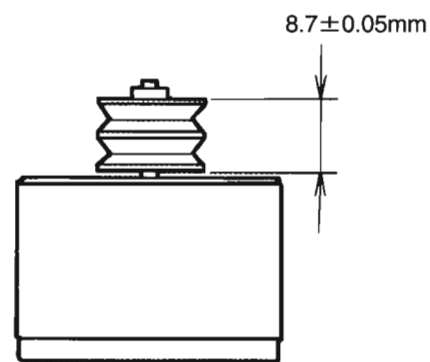


Fig.7

■ How to install the belts(See Fig.8~12)

1. Install the flywheels and belts as shown in the figure below.
When putting the belts, put the long belt first.
2. Install the main reels to put the belts on the flywheels.

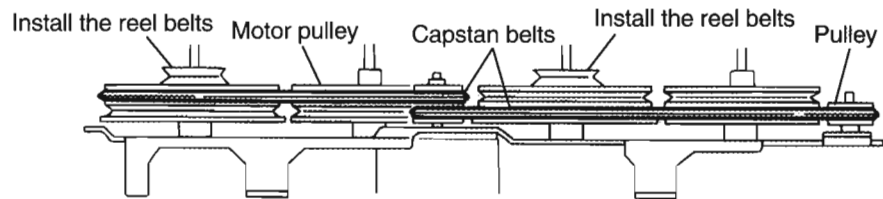
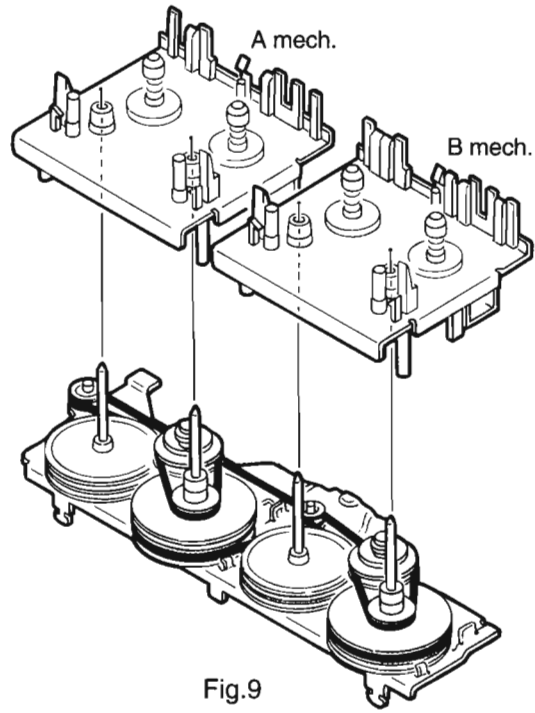
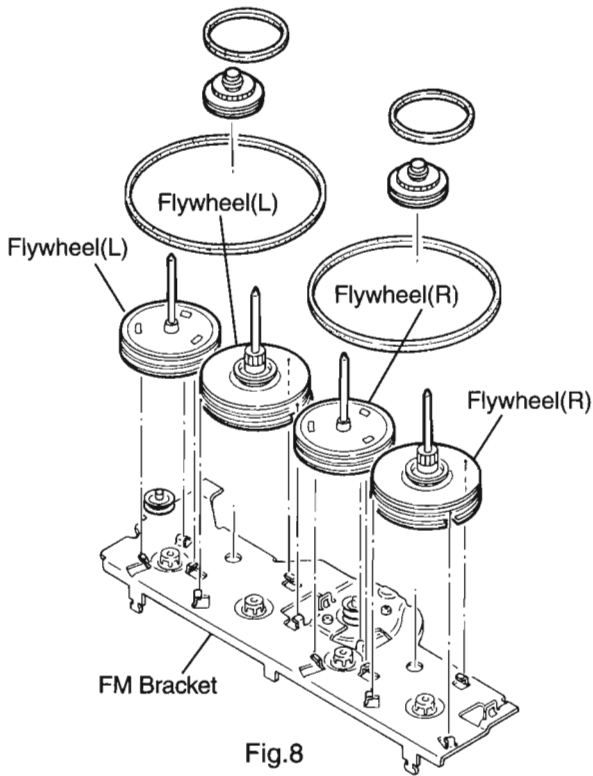


Fig.10

REEL BELTS → After hooking reel belts, no twist.

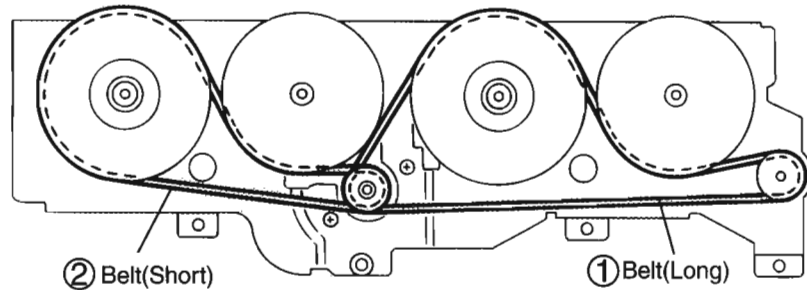


Fig.11

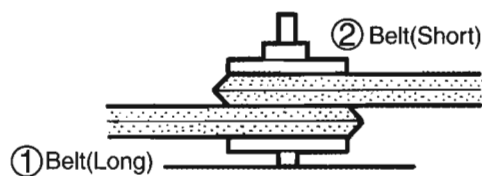


Fig.12

When attaching the control cam

While pressing the FWD/REV arm in the direction of the arrow, pull the head to the front.

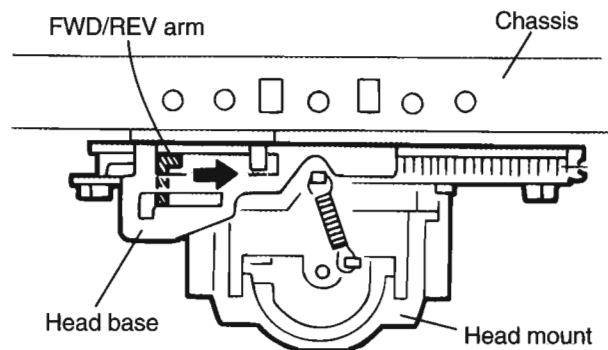


Fig.16

After performing the procedure shown above, the studs under the control cam as shown.

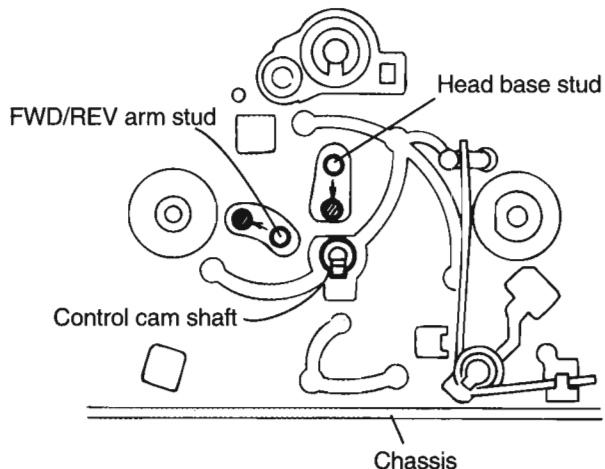


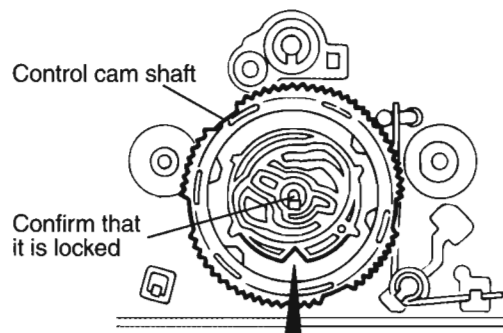
Fig.17

■ How to assemble (See Fig.14~19)

1. Move the FWD/REV arm in the direction of the arrow.
2. In step 1, pull the head base forward.
3. In step 2, after inserting the cam into the shaft, move the head base and FWD/REV arm slightly until the cam is fully inserted and it clicks to inform when it has been locked.
4. Rotate the cam counterclockwise to check if the cam rotates smoothly and the spring clicks according to the forward/ backward movement of the head base.
5. After checking the rotation of the cam, rotate the cam until the notch section comes to the right so that the FWD/REV arm assembly can be attached.
6. Attach the FWD/REV arm assembly while observing the positioning of:
 - the hole and stud.
 - the cam hole and arm edge shown in the figure 14.
 After attachment, move the FWD/REV arm in the direction of the arrow to check if it moves back to the original position.
7. Attach the elevator ring.
8. Attach the trigger arm.
 - After attachment, move the trigger arm in the direction of the arrow to check if it moves back to the original position.

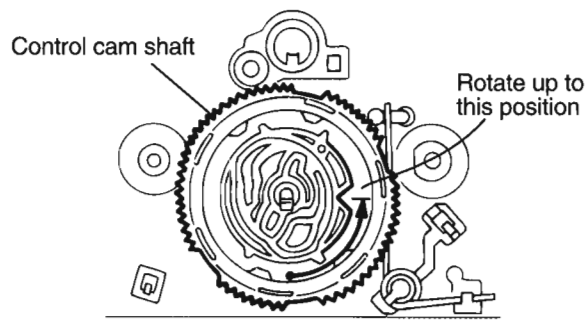
Working confirmation:

If the control cam rotates counterclockwise, the assembly was successful: if it does not rotate, it must be reassembled.



Fit the control cam its notch located as shown. (Engage with the gear of the control cam while moving the FWD/REV arm and head base slightly.)

Fig.18



Attach the FWD/REV arm with the control cam rotated up to the position shown.

Fig.19

■ Switch PCB removal (See Fig.13)

1. Remove the flywheel.
2. Remove the 1 screw 3.
3. Unsolder the broken solenoid.
4. Release the 4 hooks (c) holding the switch PCB.
5. Remove it.

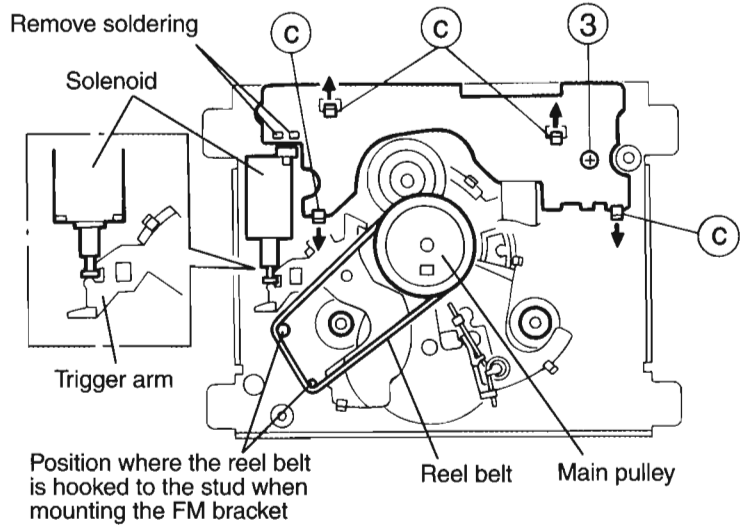


Fig.13

■ Control cam removal (See Fig.14~17)

1. Remove the FM bracket and flywheel.
2. Pull out the main pulley.
3. Remove the trigger arm.
 - While opening the two tabs (d) under the trigger arm, pull out the trigger arm from the shaft.
4. Pull out the elevator ring.
5. Remove the FWD/REV arm assembly.
 - a. Remove the FWD/REV arm spring.
 - b. While opening the four FWD/REV arm retaining tabs (e) outwards, pull out the FWD/REV arm.
6. Pull out the control cam.
 - While pulling the shaft stopper section of the control cam in the central direction, pull out the control cam.

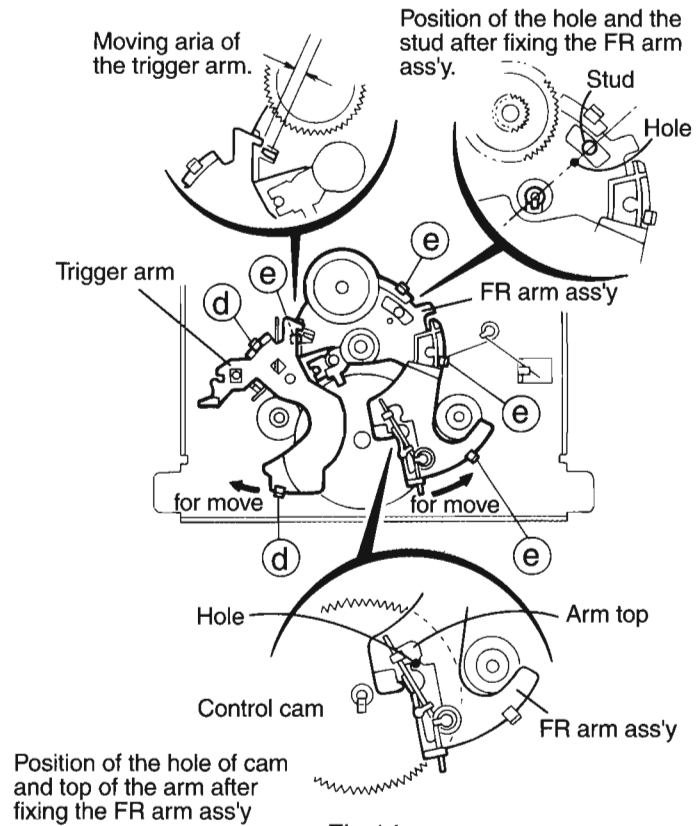


Fig.14

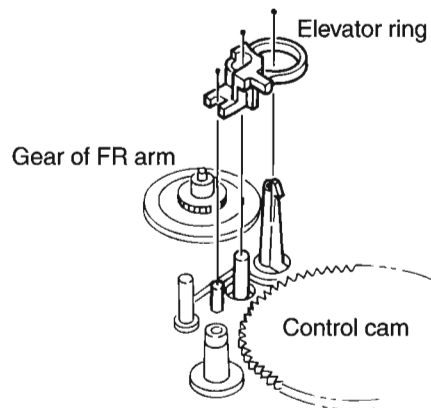


Fig.15

Main Adjustment

■ Measurement Instruments Required for Adjustment

1. Low frequency oscillator, 2. Attenuator impedance : 600 Ω
This oscillator should have a capacity to output 0dBs to 600 Ω at an oscillation frequency of 50Hz-20kHz.
3. Electronic voltmeter, 4. Frequency counter
5. Wow flutter meter
6. Standard signal generator
: Model MSG-2580 or equivalent model.
Generalized signal source.
7. Pilot-Tone stereo signal generator
: Model MSG-211FS II or equivalent model.
Generalized signal source.
8. Weighting : IHF(200-15000Hz), BPF,LPF,HPF, NULL
JISA, JISB, DIN, 45405, FLAT
9. Test tape
VTT712 : For Tape speed and wow flutter (3kHz)
VTT724 : For Reference level (1kHz)
TMT7036 : For Head angle(10kHz)
Because of frequency-mixed tape with 63,1k,10k and 14kHz(250nWb/m -24dB).
Use this tape together with a filter.
10. Blank tape
TAPE I : AC-225, TAPE II : AC-514
11. Torque gauge : For play and back tension
Foward ; TW2111A, Reverse ; TW2121A
Fast Foward and Rewind ; TW2231A
12. Test disc
: CTS-1000(12cm),GRG-1211(8cm)
: GMT-9900(CD-G), MMCD-VCD01(VIDEO-CD)
13. Jitter meter

■ Measurement Conditions

Power supply voltage : AC110-127V/220-240V(50/60Hz)
Reference output
: Speaker ; 16.1V/6 ohm
: Headphone ; 0.245V/32 Ω
Reference frequency and Input level: 1kHz
Input for confirming recording and playback characteristics
: VCR IN ; -1.9dBs
Measurement output terminal : Speaker out

Radio input signal

AM modulation frequency : 400Hz
Modulation factor : 30%
FM modulation frequency : 400Hz
Frequency displacement : 22.5kHz

Standard measurement positions of volume

Sound mode : Flat position
Super -Bass : Off
Up and Down adjustment of volume : Vol.32

Precautions for Measurement

1. Apply 30pF and 33k Ω to the IF sweeper output side and 0.082 μ F and 100k Ω in series to the sweeper input side.
2. The IF sweeper output level should be made as low as possible within the adjustable range.
3. Since the IF sweeper is a fixed device, there is no need to adjust this sweeper.
4. Since a ceramic oscillator is used, there is no need to perform any MPX adjustment.
5. Since a fixed coil is used, there is no need to adjust the FM tracking.
6. The input and output earth systems are separated. In case of simultaneously measuring the voltage in both of the input and output systems with an electronic voltmeter for two channels, therefore, the earth should be connected particularly.
7. In the case of BTL connection amplifier, the minus terminal of speaker is not for earthing. Therefore, be sure not to connect any other earth terminal to this terminal. This system is of an OTL system.

■ Arrangement of Adjusting & Test Points

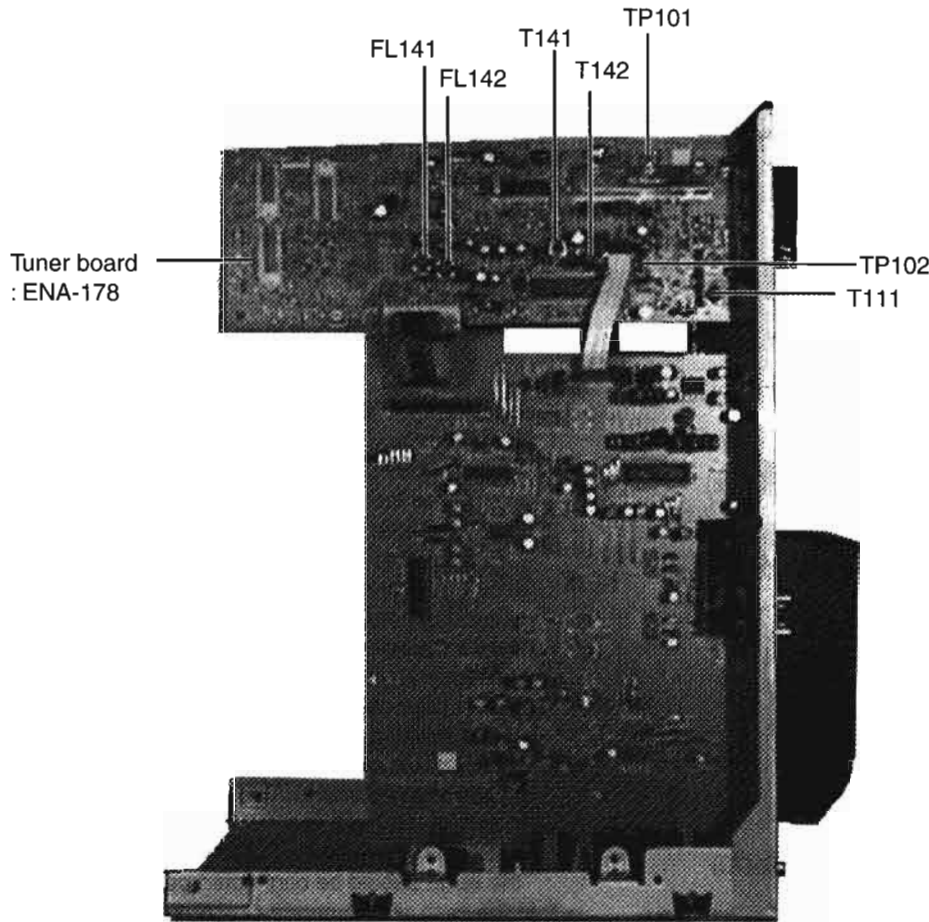


Fig. 1

■ Tuner Section

Item	Adjusting & Confirmation Methods	Adjust	Std. Value
1. Clock Confirmation	1. After connecting B863 and B864 with some wire as shown in the figure below, connect the AC power cord into an AC outlet. 2. Confirm that the display is off and remove the wire. 3. Connect a frequency counter to TP303, B262 and B808. 4. Confirm the frequency $5000 \pm 0.29\text{Hz}$.		
2. Tuning Voltage	Confirm the voltage at TP101 is within the standard values shown in the table below. If the voltages are not satisfied, replace T111 for MW or FE101 for FM.		
3. FM Center meter	Receive a broadcast which understanding the frequency by using the function of "MANUAL SEARCH". Adjust T141 (Detector Coil) so that the voltage at TP102 becomes $0 \pm 1.5\text{mV}$.		

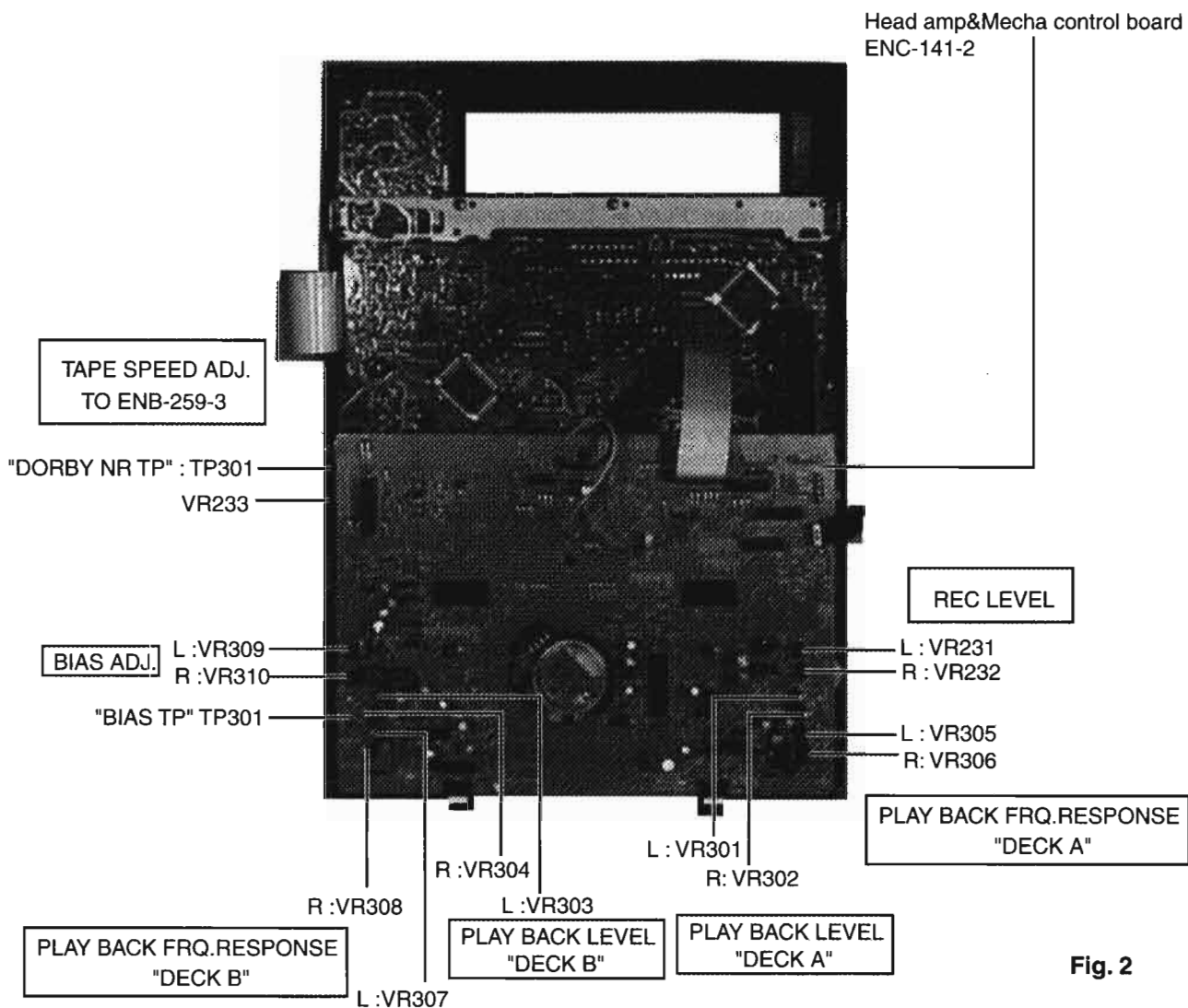


Fig. 2

Cassette mechanism

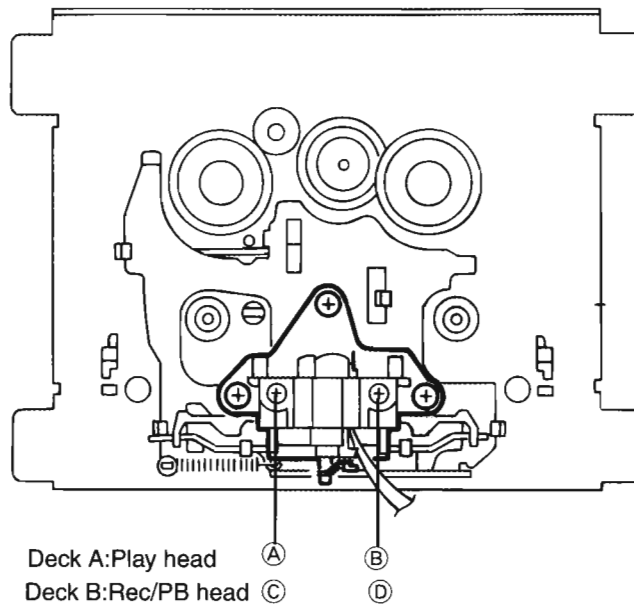


Fig. 3

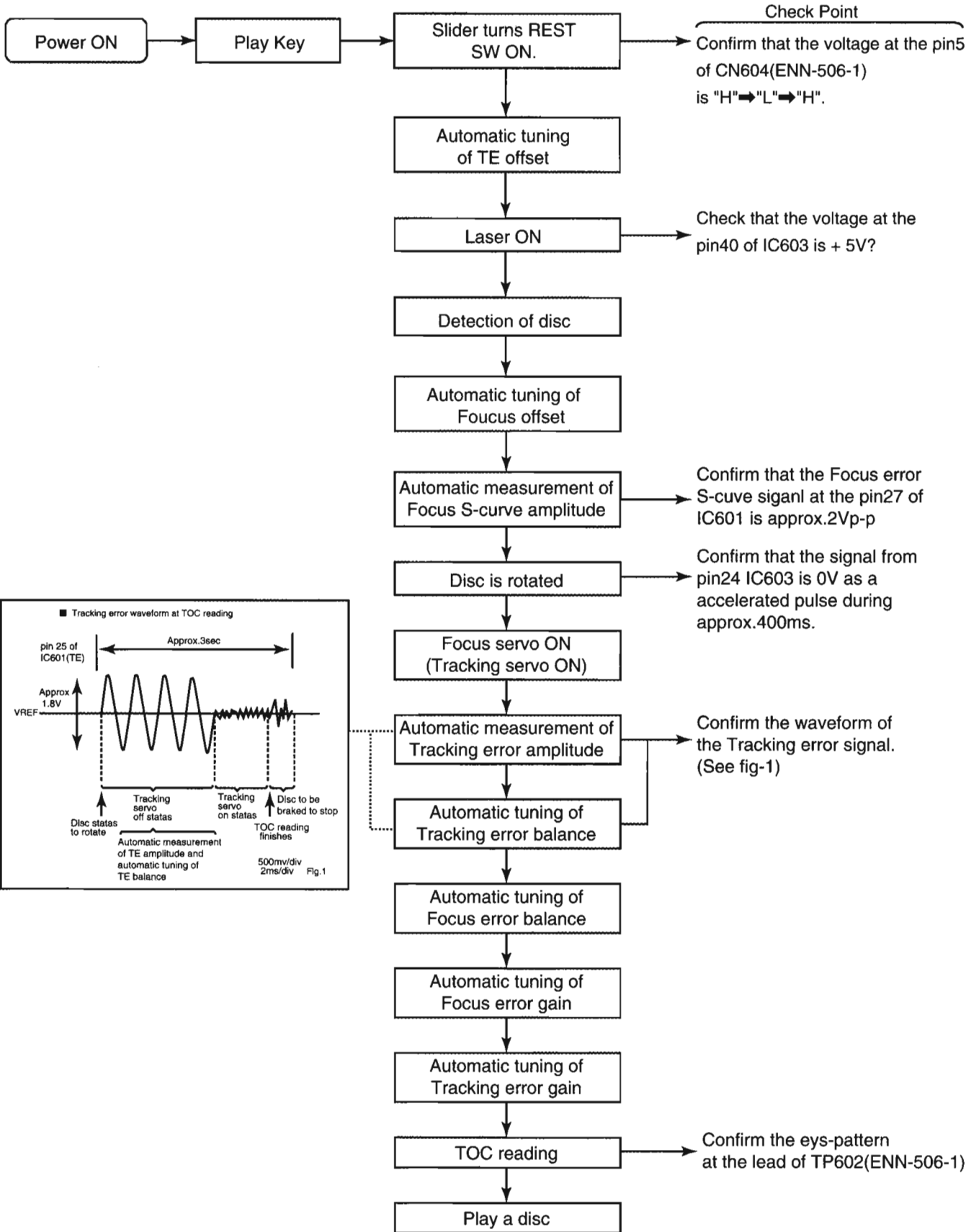
■ Mechanism Adjustment Section

Item	Adjusting & Confirmation Methods	Adjust	Std. Value
1.Head azimuth	<p>"DeckA"</p> <ol style="list-style-type: none"> 1. Connect an electronic voltmeter to "DOLBY NR TP301 to playback VTT703L(10kHz). 2. Adjust the azimuth screw (A) so that the indication of the voltmeter becomes maximum when "PLAY ►" button is pressed. 3. Adjust the azimuth screw (B) so that the indication of the voltmeter becomes maximum when "PLAY ◀" button is pressed. <p>"DeckB"</p> <ol style="list-style-type: none"> 4. Adjust the azimuth screw (C) so that the indication of the voltmeter becomes maximum when "PLAY ►" button is pressed. 5. Adjust the azimuth screw (D) so that the indication of the voltmeter becomes maximum when "PLAY ◀" button is pressed. 6. After marking the adjustment, apply screw lock to prevent screws (A) ,(B) ,(C) and(D) coming loose. <p>Note</p> <ol style="list-style-type: none"> 1. When the specified characteristic cannot be obtained because of head wear, excessive magnetization, etc. , replace the head assembly and adjust the head azimuth. Also, perform the electric adjustment. 2. When there is the difference of more than 3-4dB between left and right output levels, replace the head assembly to avoid complaints. 	Screws (A) ,(B) ,(C) and(D) for head azimuth (Refer to Fig.1)	Maximum
2. Wow & Flutter	<ol style="list-style-type: none"> 1. Connect the wow & flutter meter to the "DOLBY NR TP301 and playback VTT712. 2. It is reading should be within 0.25%(WRMS). <p>Note</p> <p>As complaint may occur if the wow&flutter fluctuates by 0.1% even though it is allowed in the standard, repairing is required.</p>	-	Less than 0.25%(WRMS)
3. Playback torque	<p>Measure the torque in the playback mode by the torque meter.</p> <p>Note</p> <p>When the standard torque cannot be obtained,replace the FR arm assembly or motor.</p>	-	240-720N-cm
4. Fast forward torque	<p>Measure the torque in the fast foward mode by the torque meter.</p> <p>Note</p> <p>When the standard torque cannot be obtained,replace the FR arm assembly or motor.</p>	-	700-1750N-cm
5. Rewind torque	<p>Measure the torque in the rewind mode by the torque meter.</p> <p>Note</p> <p>When the standard torque cannot be obtained,replace the FR arm assembly or motor.</p>	-	700-1750N-cm
6. Tape speed	<ol style="list-style-type: none"> 1. Connect the frequency counter to the "DOLBY NR TP301 and playback VTT712. 2. Adjust the semi-fixed resistor VR233 on ENB-259-3. <p>Note</p> <p>Connect a wow&flutter meter with a built-in frequency counter to the speaker terminals.</p>	VR233	3000Hz±10Hz

■ Electrical Adjustment Section

Item	Adjusting & Confirmation Methods	Adjust	Std. Value
1. Playback level	1. Connect an electronic voltmeter to "DOLBY NR TP" TP301 to playback VTT724(1kHz : -4dBs). 2. Adjust the semi-fixed resistor to obtain the standard value. Note The playback level values when the head is replaced so should be adjusted. Use an electronic voltmeter with an impedance of 100k Ω or more.	"Deck A" L : VR301 R : VR302 "Deck B" L : VR303 R : VR304	488mV(-4dBs)
2. Playback frequency response	1. Connect an electronic voltmeter to "DOLBY NR TP" TP301 to playback VTT703L (10kHz : -10dBs). 2. Adjust the semi-fixed resistor to obtain the standard value.	"Deck A" L : VR305 R : VR306 "Deck B" L : VR307 R : VR308	245mV(-10dBs)
3. Recording bias frequency	1. Connect a frequency counter to "BIAS TP " TP301 to playback VTT703L (10kHz : -10dBs). 2. Adjust the L301 to perform a recording the bias frequency.	L301	105kHz+5kHz 105kHz-10kHz
4. Record/Play frequency response (Bias current)	1. Supply 1kHz and 12.5kHz with 620mV signals to VCR IN terminals respectively to record them. 2. Connect an electronic voltmeter to the "DOLBY NR TP"TP301 to confirm the recorded values. 3. If the values are not satisfied, adjust the semi-fixed resistors and record the signal again to confirm the recorded values. Note 1. The recording and playback frequency response of a cassette deck are adjusted by adjusting the bias. 2. Perform the adjustment with normal tape "AC-225"and confirm that the values are within the range for metal tape"AC-712".	L : VR309 R : VR310	0dB \pm 2dB with 1kHz as the standard.

Flow of Functional Operation Until TOC Read



Maintenance of Laser Pickup

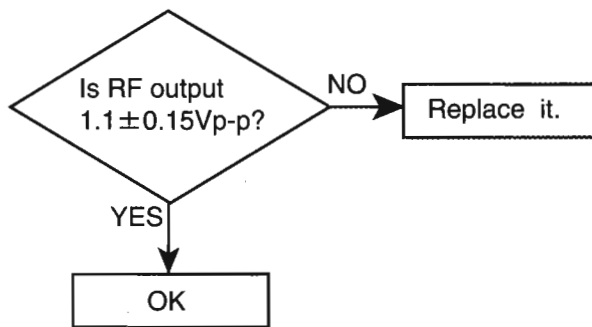
(1) Cleaning the pick up lens

Before you replace the pick up, please try to clean the lens with a alcohol soaked cotton swab.

(2) Life of the laser diode (Fig.1)

When the life of the laser diode has expired, the following symptoms wil appear.

(1) The level of RF output (EFM output: amplitude of eye pattern) will below.



(Fig.1)

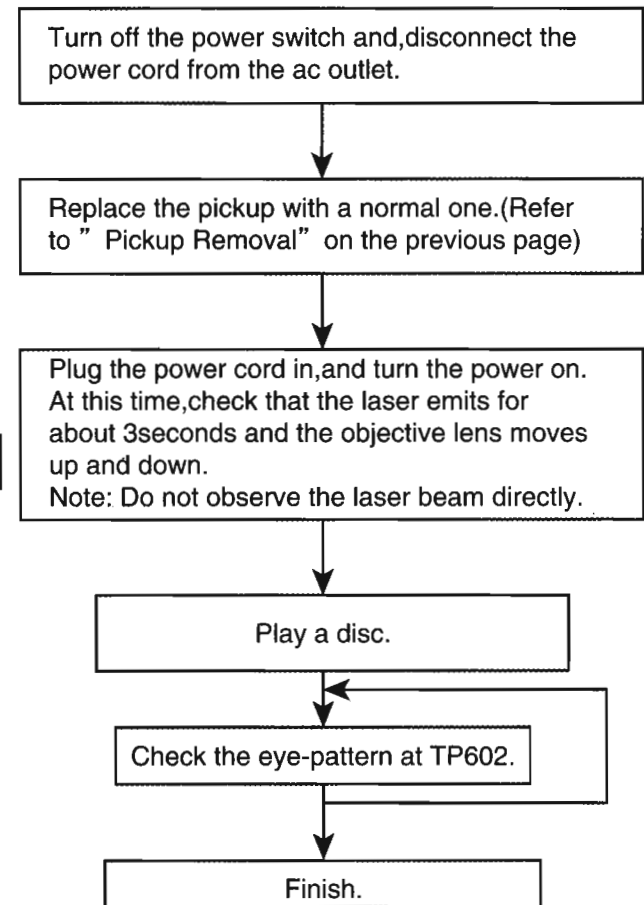
(3) Semi-fixed resistor on the APC PC board

The semi-fixed resistor on the APC printed circuit board which is attached to the pickup is used to adjust the laser power. Since this adjustment should be performed to match the characteristics of the whole optical block, do not touch the semi-fixed resistor.

If the laser power is lower than the specified value, the laser diode is almost worn out, and the laser pickup should be replaced.

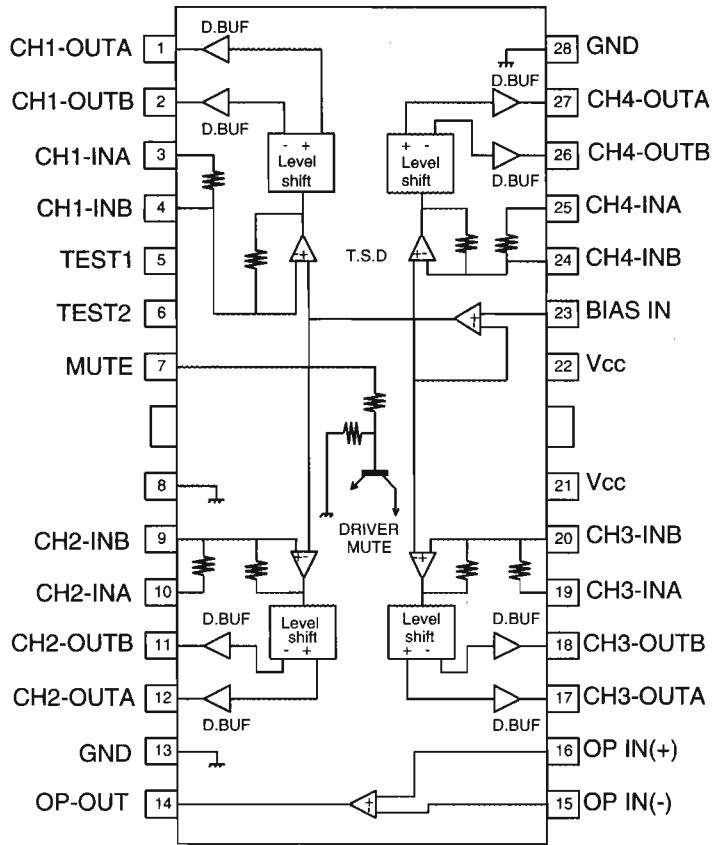
If the semi-fixed resistor is adjusted while the pickup is functioning normally, the laser pickup may be damaged due to excessive current.

Replacement of Laser Pickup

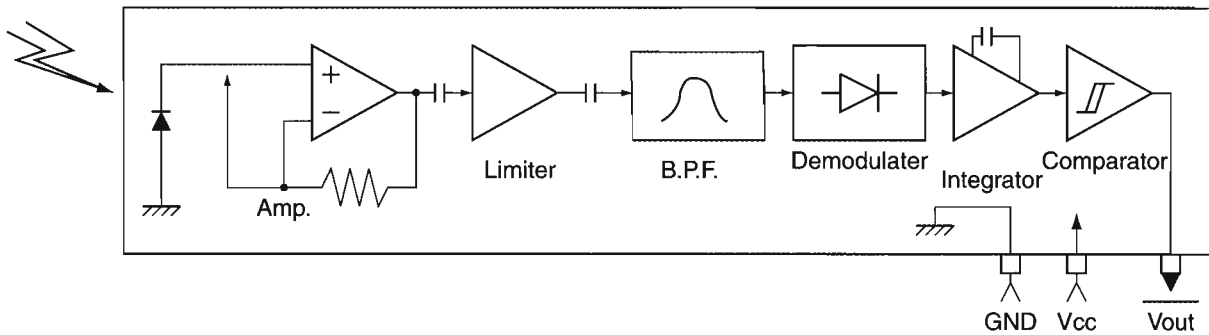


Description for IC

■ BA6897FPW(IC602) 4channel driver



■ GP1U271X (IC904) : Receiver for remote controller

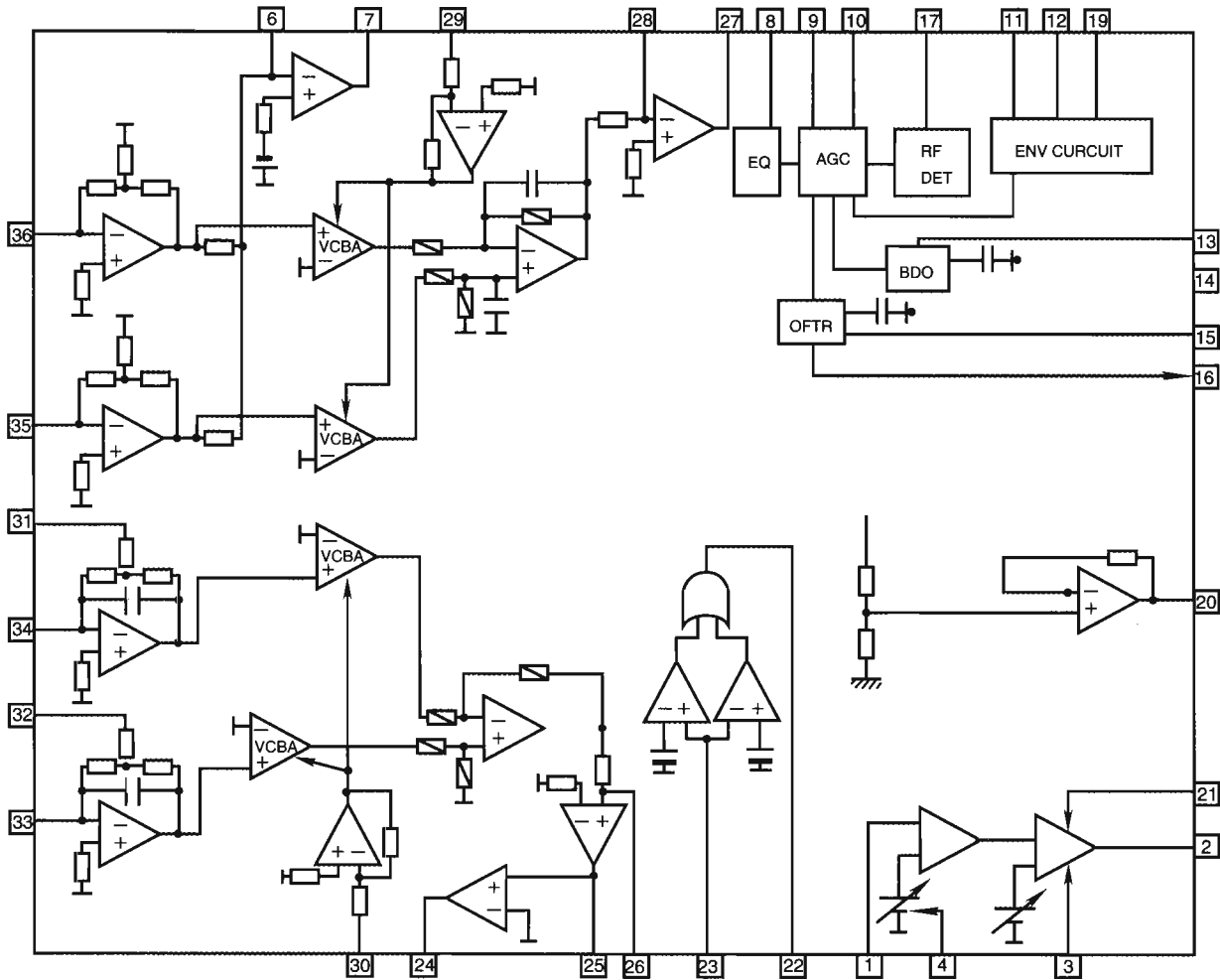


■ AN8806SB(IC601):RF&SERVO AMP

1.Terminal Layout

PD	1	36	PDAC
LD	2	35	PDBD
LDON	3	34	PDE
LDP	4	33	PDF
VCC	5	32	PDER
RF-	6	31	PDFR
RF OUT	7	30	TBAL
RF IN	8	29	FBAL
C.AGC	9	28	EF-
ARF	10	27	EF OUT
C.ENV	11	26	TE-
C.EA	12	25	TE OUT
CS BDO	13	24	CROSS
BDO	14	23	TE BPF
CS BRT	15	22	VDET
OFTR	16	21	LD OFF
/NRFDET	17	20	VREF
GND	18	19	ENV

2.Block Diagram

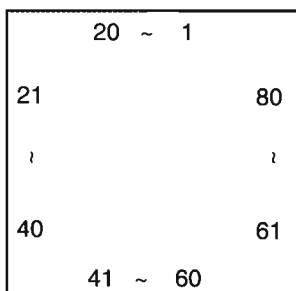


3. Functions

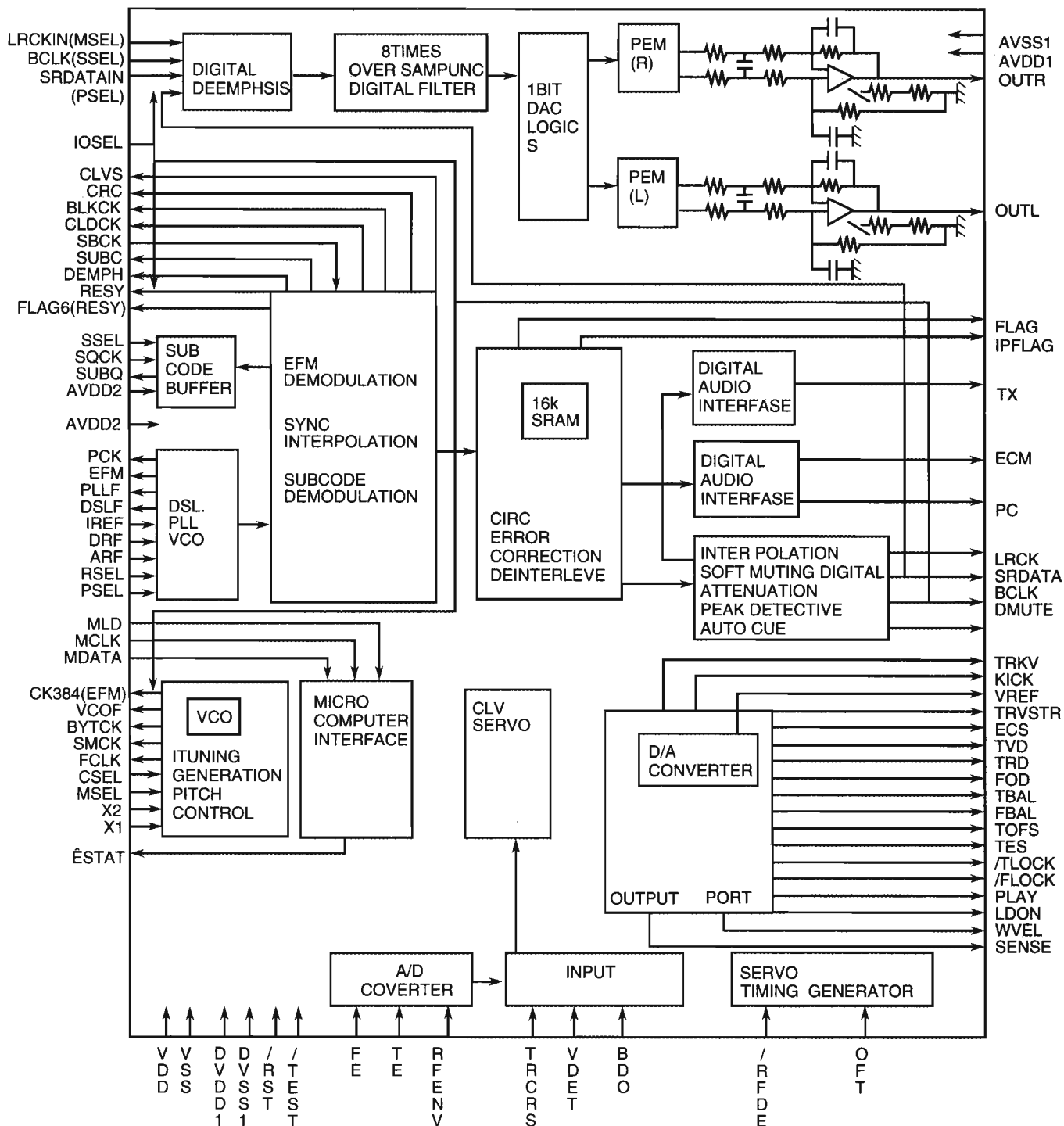
Pin No.	Symbol	I/O	Functions and operations
1	PD	I	APC amp input terminal
2	LD	O	APC amp output terminal
3	LD ON	I	APC ON/OFF control terminal
4	LDP	--	Connect to ground
5	VCC	--	Power supply
6	RF-	I	Inverse input pin for RF amp
7	RF OUT	O	RFamp output
8	RF IN	I	RF input
9	C.AGC	I/O	Connecting pin of AGC loop filter
10	ARF	O	RF output
11	C.ENV	I/O	A capacitor is connected to this terminal to detect the envelope of RF signal
12	C.EA	I/O	A capacitor is connected to this terminal to detect the envelope of RF signal
13	CS BDO	I/O	A capacitor is connected to detect the lower envelope of RF signal
14	BDO	O	BDO output pin
15	CS BRT	I/O	A capacitor is connected to detect the lower envelope of RF signal
16	OFTR	O	Of-track status signal output
17	/NRFDET	O	RF detection signal output
18	GND	--	Ground
19	ENV	O	Envelope output
20	VREF	O	Reference voltage output
21	LD OFF	--	Connect to ground
22	VDET	O	Vibration detection signal output
23	TE BPF	I	Input pin of tracking error through BPF
24	CROSS	O	Tracking error cross output
25	TE OUT	O	Tracking error signal output
26	TE-	I	Inverse input pin for tracking error amp
27	FE OUT	O	Output pin of focus error
28	FE-	I	Inverse input pin for focus error amp
29	FBAL	I	Focus balance control
30	TBAL	I	Tracking balance control
31	PDFR	I/O	F I-V amp gain control
32	PDER	I/O	E I-V amp gain control
33	PDF	I	I-V amp input
34	PDE	I	I-V amp input
35	PD BD	I	I-V amp input
36	PD AC	I	I-V amp input

■ MN35510(IC603):DIGITAL SERVO&DIGITAL SIGNAL PROCESSER

1. Terminal Layout



2. Block Diagram

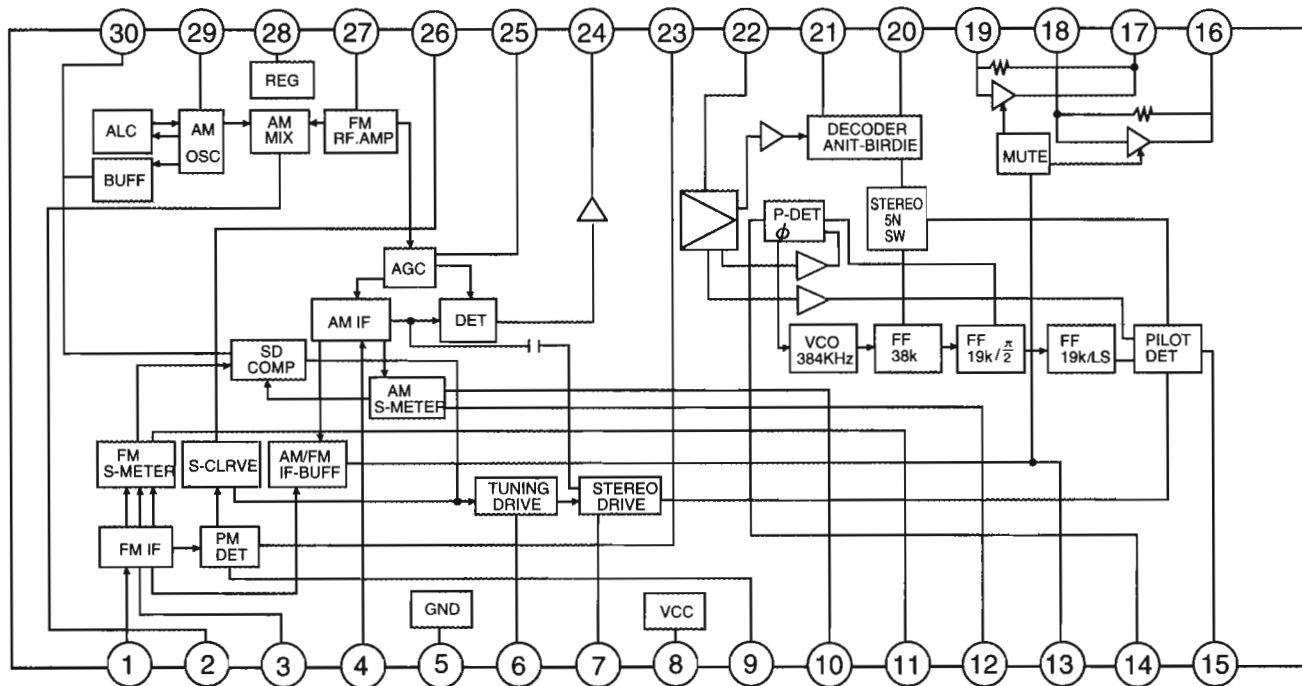


3. Description

Pin No.	symbol	I/O	Description	Pin No.	symbol	I/O	Description
1	BCLK	O	Bit clock output pin SRDATA	41	TES	O	Tracking error shunt signal output(H:shunt)
2	LRCK	O	L/R distinction signal output	42	PLAY	—	Not used
3	SRDATA	O	Serial data output	43	WVEL	—	Not used
4	DVDD1	—	Power supply (Digital)	44	ARF	I	RF signal input
5	DVSS1	—	Connected to GND	45	IREF	I	Reference current input pin
6	TX	O	Digital audio interface output	46	DRF	I	Bias pin for DSL
7	MCLK	I	μ com command clock signal input (Data is latched at signal's rising point)	47	DSLIF	I/O	Loop filter pin for DSL
8	MDATA	I	μ com command data input	48	PLLF	I/O	Loop filter pin for PLL
9	MLD	I	μ com command load signal input	49	VCOF	—	Not used
10	SENSE	O	Sence signal output	50	AVDD2	—	Power supply(Analog)
11	FLOCK	O	Focus lock signal output Active :Low	51	AVSS2	—	Connected to GND(Analog)
12	TLOCK	O	Tracking lock signal output Active :Low	52	EFM	O	EFM signal output
13	BLKCK	O	Sub-code·block·clock signal output	53	PCK	—	Not used
14	SQCK	I	Outside clock for sub-code Q resister input	54	PDO	—	Not used
15	SUBQ	O	Sub-code Q -code output	55	SUBC	O	Sub-code serial data output
16	DMUTE	—	Connected to GND	56	SBCK	O	Clock input for sub-code serial output
17	STATUS	O	Status signal (CRC,CUE,CLVS,TTSTOP,ECLV,SQOK)	57	VSS	—	Connected to GND(for X'tal cscillation circuit)
18	/RST	I	Reset signal input (L:Reset)	58	XI	I	Input of 16.9344MHz X'tal oscillation circuit
19	SMCK	—	Not used	59	X2	O	Output of X'tal oscillation circuit
20	PMCK	—	Not used	60	VDD	—	Power supply(for X'tal cscillationcircuit)
21	TRV	O	Traverse enforced output	61	BYTCK	—	Not used
22	TVD	O	Traverse drive output	62	/CLDCK	O	Sub-code ,Frame,Clock signal output
23	PC	—	Not used	63	FCLK	—	Not used
24	ECM	O	Spindle motor drive signal (Enforced mode output) 3-State	64	IPPLAG	—	Not used
25	ECS	O	Spindle motor drive signal (Servo error signal output)	65	FLAG	—	Not used
26	KICK	O	Kick pulse output	66	CLVS	—	Not used
27	TRD	O	Tracking drive output	67	CRC	—	Not used
28	FOD	O	Focus drive output	68	DEMPH	—	Not used
29	VREF	I	Reference voltage input pin for D/A output block (TVD,FOD,FBA,TBAL)	69	RESY	—	Not used
30	FBAL	O	Focus Balance adjust signal output	70	IOSEL	—	Connected to GND
31	TBAL	O	Tracking Balance adjust signal output	71	/TEST	—	pull up(+5V)
32	FE	I	Focus error signal input(Analog input)	72	AVDD1	—	Power supply(Digital)
33	TE	I	Tracking error signal input(Analog input)	73	OUT L	O	Lch audio output
34	RF ENV	I	RF envelope signal input(Analog input)	74	AVSS1	—	Connected to GND
35	VDET	I	Vibration detect signal input(H:detect)	75	OUT R	O	Rch audio output
36	OFT	I	Off track signal input(H:off track)	76	RSEL	—	pull up(+5V)
37	TRCRS	I	Track cross signal input	77	CSEL	—	Connected to GND
38	/RFDET	I	RF detect signal input(L:detect)	78	PSEL	I	Serial data input
39	BDO	I	BDO input pin(L:detect)	79	MSEL	I	L/R distinction signal input
40	LDON	O	Laser ON signal output(H:on)	80	SSEL	I	Bit clock pot pin for SRDATA

■ LA1837(IC102): FM AM IF AMP&detector, FM MPX Decoder

1. Block Diagram

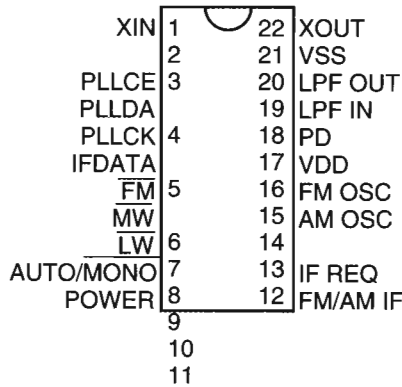


3. Pin Function

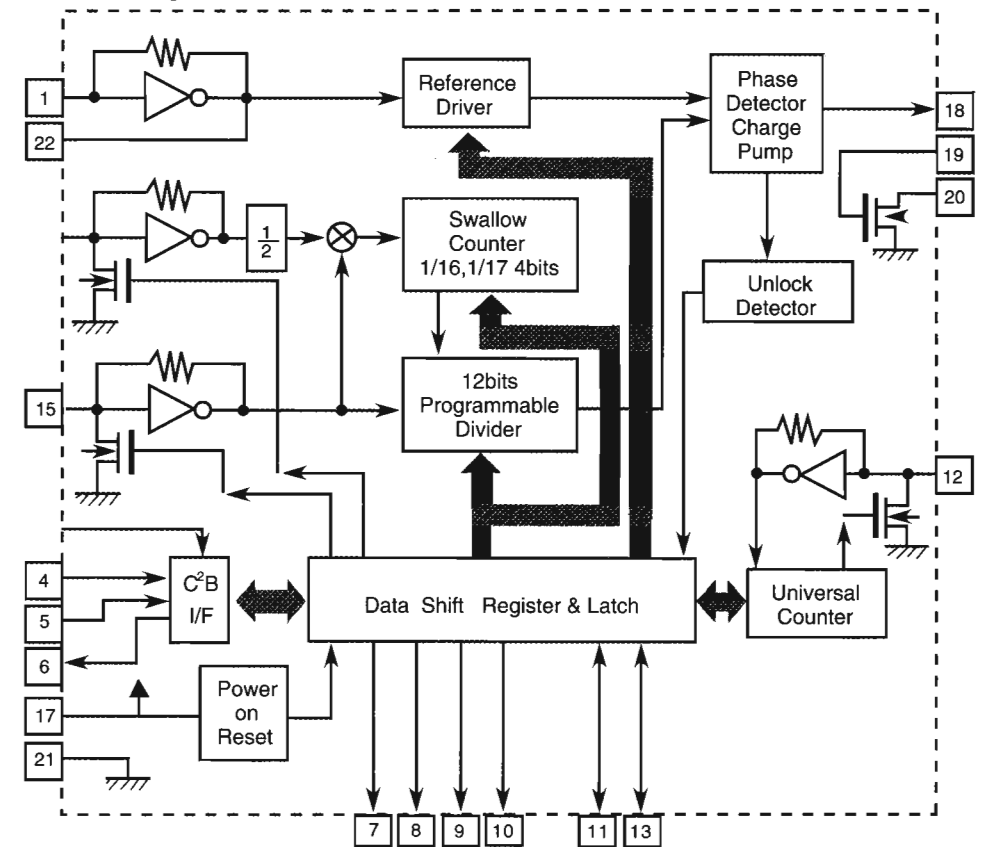
Pin No.	Symbol	I/O	Function	Pin No.	Symbol	I/O	Function
1	FM IN	I	This is an input terminal of FM IF signal.	16	L OUT	O	Left channel signal output.
2	AM MIX	O	This is an out put terminal for AM mixer.	17	R OUT	O	Right channel signal output.
3	FM IF	I	Bypass of FM IF	18	L IN	I	Input terminal of the Left channel post AMP.
4	AM IF	I	Input of AM IF Signal.	19	R IN	I	Input terminal of the Right channel post AMP.
5	GND	-	This is the device ground terminal.	20	RO	O	Mpx Right channel signal output.
6	TUNED	O	When the set is tuning, this terminal becomes "L".	21	LO	O	Mpx Left channel signal output.
7	STEREO	O	Stereo indicator output. Stereo "L", Mono: "H"	22	IF IN	I	Mpx input terminal
8	VCC	-	This is the power supply terminal.	23	FM OUT	O	FM detection output.
9	FM DET	-	FM detect transformer.	24	AM DET	O	AM detection output.
10	AM SD	-	This is a terminal of AM ceramic filter.	25	AM AGC	I	This is an AGC voltage input terminal for AM
11	FM VSM	O	Adjust FM SD sensitivity.	26	AFC	-	This is an output terminal of voltage for FM-AFC.
12	AM VSM	O	Adjust AM SD sensitivity.	27	AM RF	I	AM RF signal input.
13	MUTE	I/O	When the signal of IF REQ of IC121(LC72131) appear, the signal of FM/AM IF output. //Muting control input.	28	REG	O	Register value between pin 26 and pin28 desides the frequency width of the input signal.
14	FM/AM	I	Change over the FM/AM input. "H" :FM, "L" : AM	29	AM OSC	-	This is a terminal of AM Local oscillation circuit.
15	MONO/ST	O	Stereo : "H", Mono: "L"	30	OSC BUFFER	O	AM Local oscillation Signal output.

■ LC72131(IC121):PLL Synthesizer

1. Terminal Layout



2. Block Diagram



3.Pin Functions

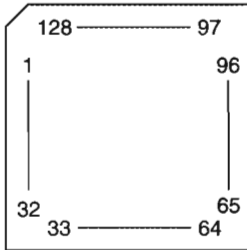
Pin No.	Symbol	I/O	Functions	Pin No.	Symbol	I/O	Functions
1	Xin	I	Crystal oscillator (7.2MHz).	12	FM/AM IF	I	Universal counter input
2		--	Not use	13	IF REQ	O	Output the "IF-signal request" to IC102
3	PLLCE	I	Fix the chip enable to "H" when inputting (DI) and outputting (DO) the serial data	14		I	Not use
4	PLLDA	I	Receive the control data from the controller (IC801).	15	AMOSC	I	Input the local oscillator signal of AM.
5	PLLCK	I	This clock is used to synchronize data when transmitting the data of DI and DO.	16	FM OSC	I	Input the local oscillator signal of FM.
6	IFDATA	O	Transmit the data from LC72131 to the controller which is synchronized with CK.	17	VDD	O	This is a terminal of power supply.
7	FM	O	It is "L" on FM mode.	18	PD	O	PLL charge pump output : When the local oscillator signal frequency is higher than the reference frequency high level signals will output. When it is lower than the reference frequency, low level signals will output. When it is same as reference frequency signals, it will be floating.
8	MW	O	It is "L" on MW mode.	19	LPF IN	I	Transistor used for the PLL active low-pass filter
9	LW	O	It is "L" on LW mode.	20	LPF OUT	O	Transistor used for the PLL active low-pass filter
10	AUTO/MONO	O	It is "L" on monaural, "L" on auto	21	VSS	--	Connected to GND
11	POWER	O	Regulator control signal P ON "H" , STANDBY "L"	22	X out	O	Crystal oscillator(7.2MHz).

■ CL480(IC101) : MPEG DECODER

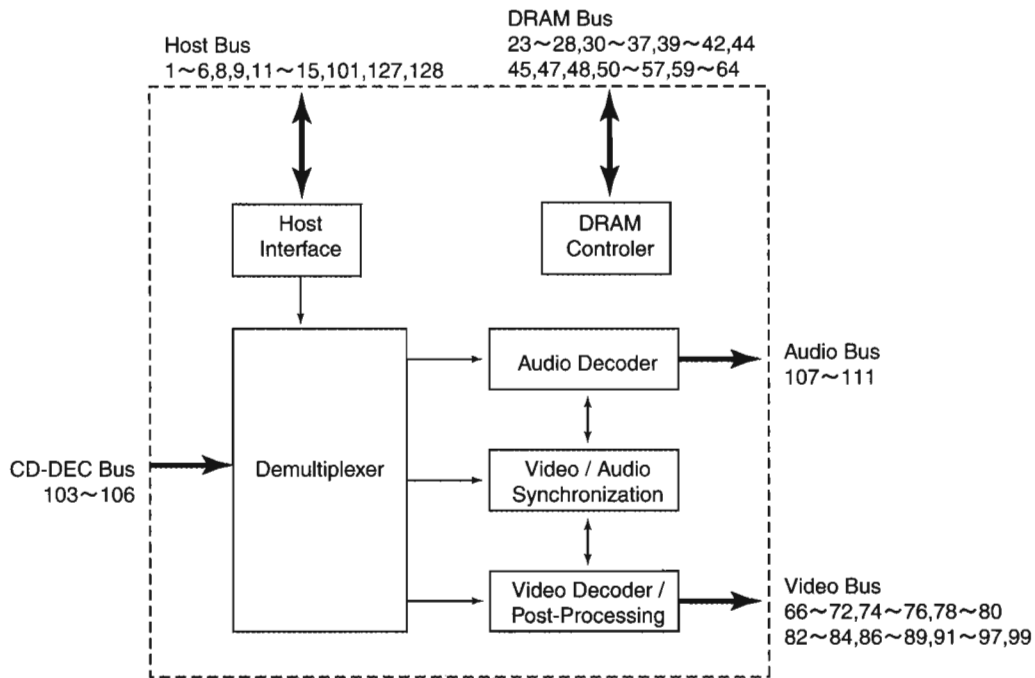
1.Functions

CL480 is MPEG-1 Audio/Video decoder

2.Terminal Layout



3.Block Diagram

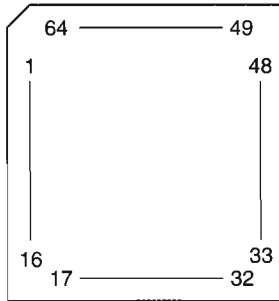


4. Terminal Discription

Pin No.	symbol	I/O	Function	Pin No.	symbol	I/O	Function
1	HA2	I	Host address terminal	78~80	VD10~VD12	O	Video data terminal (G2~4/Y2~4)
2	DS	I	Date strobe terminal	81	IO VDD	--	Power supply for Input / Output
3	W/R	I	I/O read terminal	82~84	VD13~VD15	O	Video data terminal (G5~7/Y5~7)
4	IRQ	O	Interact terminal	85	CKT VSS	--	Connected to GND
5	DTACK	O	Acknowledge data output	86~89	VD16~VD19	O	Video data terminal (B0~B3)
6	HD0	I/O	Host data terminal	90	IO VSS	--	Ground terminal for Input / Output
7	IO VDD	--	Power supply for Input / Output	91~94	VD20~VD23	O	Video data terminal (B4~7)
8,9	HD1,2	I/O	Host data terminal	95	VSYNC	I/O	Vertical comparator / Composite comparator output
10	CKT VSS	--	Connected to GND	96	HSYNC	I/O	Horizonatall synchronizing signal
11~15	HD3~HD7	I/O	Date data terminal	97	VOE	I	Video output enable sibnal
16	IO VSS	--	Ground terminal for Input / Output	98	VCO VDD	--	Power supply of VCO
17	TEST	I	Test terminal	99	VLCK	I/O	Video clock terminal
18	XTL VSS	I	Oscillator grand terminal	100	VCO VSS	--	Ground of VCO
19	XTL IN	I	Oscillator input terminal	101	RESET	I	Reset signal input
20	XTL OUT	O	Oscillator output terminal	102	IO VSS	--	Ground terminal for Input / Output
21	XTL VDD	--	Power supply for Oscillator	103	C2PO	I	Data error flag input
22	CKT VDD	--	Power supply	104	CDLRCK	I	L / R word clock input
23~28	MD0~MD5	I/O	DRAM data / ROM data terminal	105	CDDATA	I	Bit serial data input
29	IO VDD	--	Power supply for Input / Output	106	CDBCK	I	Bit clock output
30,31	MD6,7	I/O	DRAM data / ROM data terminal	107	DALRCK	O	L / R clock output
32,33	MCE0,1	O	Chip enable output for ROM bank	108	DADATA	O	Bit serial PCM audio signal output
34~37	MD8~MD11	I/O	DRAM data / ROM data terminal	109	DABCK	O	Bit clock output
38	IO VSS	--	Ground terminal for Input / Output	110	IO VDD	--	Power supply for Input / Output
39~42	MD12~MD15	I/O	DRAM data / ROM address terminal	111	XCK	I	Bit clock input terminal from outside
43	5V VDD	--	Power supply (+5V)	112	CKT VDD	--	Power supply
44	LCAS	O	DRAM LCAS / ROM address terminal	113	PIO12	O	Interact 2 signal output
45	LCASIN	I	DRAM LCAS input	114	PIO11	O	Non conection
46	CKT VSS	--	GND	115	PIO10	I	Host enabli signal input
47	MWE	O	DRAM write enable signal output	116	PIO9	I	Boot rom enable signal input
48	UCAS	O	DRAM UCAS / ROM address terminal	117	PIO8	O	Non conection
49	IO VDD	--	Power supply for Input / Output	118	PIO7	O	DAC emphasis signal output
50	UCAS IN		DRAM UCAS input terminal	119	PIO6	I	CD-DA emphasis signal output
51,52	RAS0,1	O	DRAM RAS0,1 terminal	120	PIO5	O	Non conection
53~57	MA9~MA5	O	DRAM data / ROM address terminal	121	PIO4	O	FMV detect signal output
58	IO VSS	--	Ground terminal for Input / Output	122	PIO3	O	CD-DA Video CD select signal output Low : Video CD
59~63	MA4~MA0	O	DRAM data / ROM address terminal	123	5V VDD	--	Power supply (+5V)
64	PIO0	O	ROM address extention terminal	124	PIO2	O	Non conection
65	IO VDD	--	Power supply for Input / Output	125	IO VSS	--	Ground for input / output
66~72	VD0~VD6	O	Video data terminal (R6/CrCb6/YCrCb0~66)	126	PIO1	O	Non conection
73	IO VSS	--	Ground terminal for Input / Output	127	HA0	--	Host address input
66~72	VD7~VD9	O	Video data terminal (R7/CrCb7/YCrCb7)(G0,1/Yo,1)	128	HA1	--	Host address input
73	CKT VDD	--	Power supply				

■ MN171601(IC111) : HOST Micro Computer

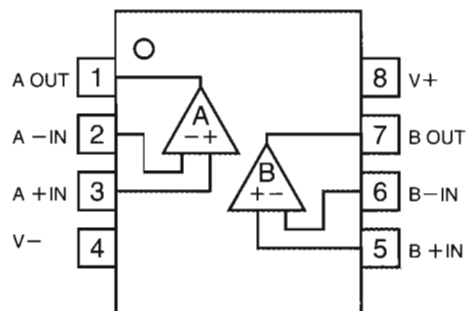
1. Terminal Layout



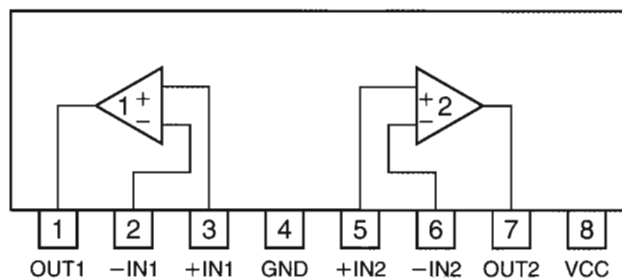
2. Terminal Discription

Pin No.	symbol	I/O	Function	Pin No.	symbol	I/O	Function
1	480 RST	O	Reset signal output	41~48	SD1~SD8	I/O	SRAM data Input / Output terminal
2	MREQ	I	Input the transfer request data signal	49	SR/W	O	SRAM Read / Write signal Input / Output
3	ACT INT	I	Interact 2 signal input	50	PAL60	--	Not use
4	G DET	I	CD-G detect terminal H : CD-G	51	RESET	I	Reset signal input
5	GND	--	Connected to GND	52	X1	--	Non connection
6	DTACK	I	Acknowledge signal input	53	X2	--	Non connection
7	GND	--	Connected to GND	54	VSS	--	Ground terminal
8	GND	--	Connected to GND	55	OSC2	--	Non connection
9	DIR		Input / Output control for IC114	56	OSC1	I	Clock input terminal
10	N/PAL	--	Not use	57	VDD	--	Power suply
11	RGB	O	Video out control signal (H : RGB, L : composite)	58	HREQ	O	Communication signal output
12	W/R	I/O	Read / Write signal input / output	59	SRCLK	I	Clock signal for Data request to IC201
13~15	HA0~HA2	O	Address signal output for MPEG LSI	60	M2HDT	O	Serial data output
16	DS	O	Data strobe signal output	61	M2MDT	I	Serial data input
17~24	HD0~HD7	I/O	Data terminal for MPEG LSI	62	HRDY	O	Communication signal output
25~39	SA0~SA14	I/O	SRAM address signal output	63	VCD/G	O	Video swith switching signal output
40	SCS	O	SRAM chip select signal output	64	PALCDG	O	CD-G PAL / NTSC clock select terminal

■ BA15218 (IC402,403,407,562,912) : Dual OP Amp.



■ BA15218N (IC302,303) : Dual OP Amp.

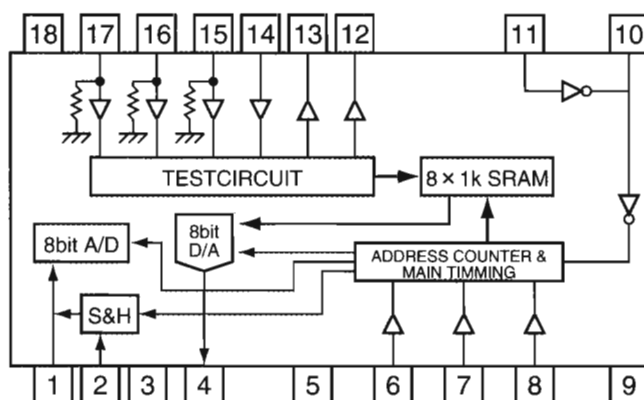


■ BU9252S (IC915) : Delay Circuit (Only used For U,UB,UP,UT,US)

Terminal layout

S/H	1	18	VCC
IN	2	17	TST0
GND	3	16	TST1
OUT	4	15	TST2
VDD	5	14	TDIN
DCNT1	6	13	TDO0
DCNT2	7	12	TDO1
DCNT3	8	11	OSC
GND	9	10	OSC

Block Diagram



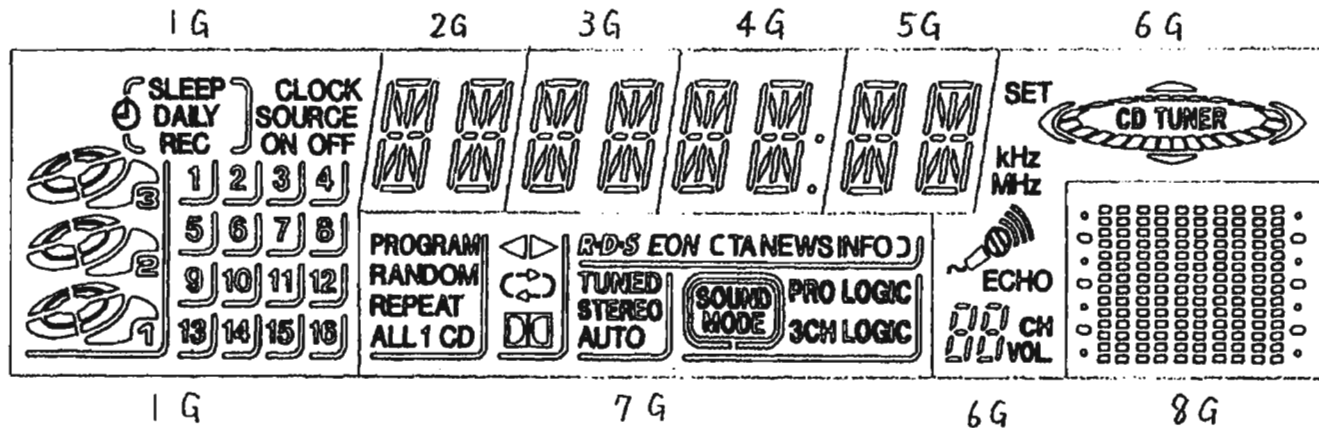
Description

Pin No.	Symbol	Function	Pin No.	Symbol	Function
1	S&H	A capacitor is connected for sample & hold	10	OSC0	Oscillation terminal
2	AIN	Analog input	11	OSC1	Oscillation terminal
3	GND	GND	12	TDO1	Not used
4	AOUT	Analog output	13	TDO0	Not used
5	VDD	Power supply	14	TDIN	Not used
6	DCNT0	Pull up (+5V)	15	TST2	Not used
7	DCNT1	Pull up (+5V)	16	TST1	Not used
8	DCNT2	Pull up (+5V)	17	TST0	Not used
9	GND	GND	18	VCC	Power supply

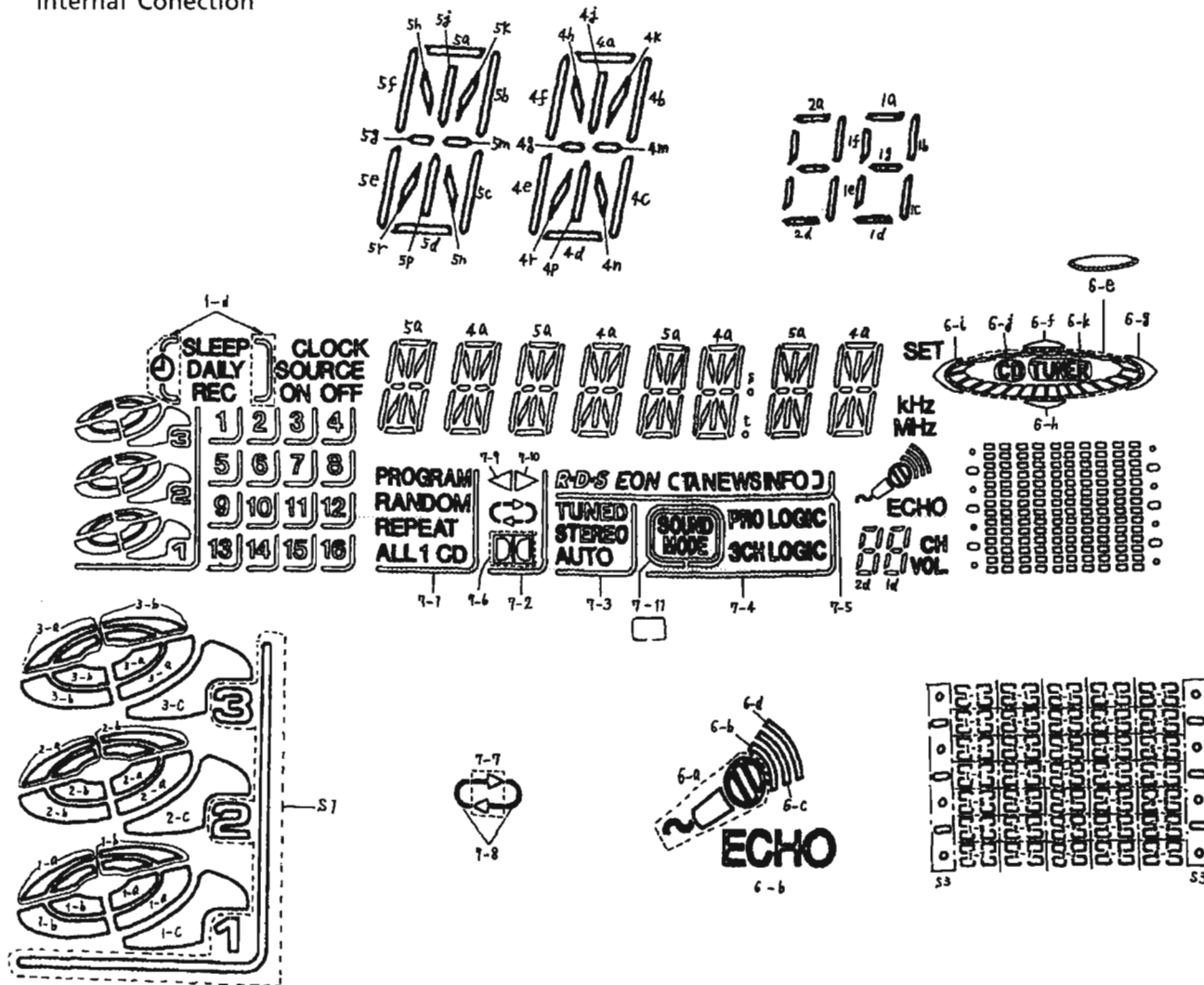
Internal Connections for FL Display Tube

■ DI901 : QLF0012-001

Grid Layout



Internal Connection



Anode Designation

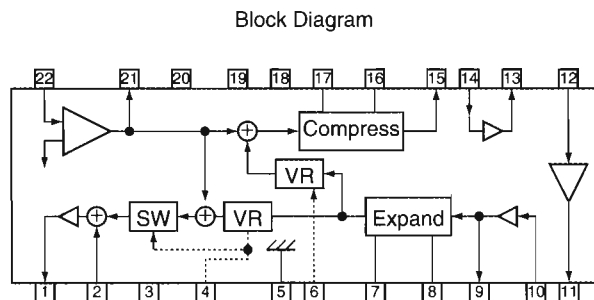
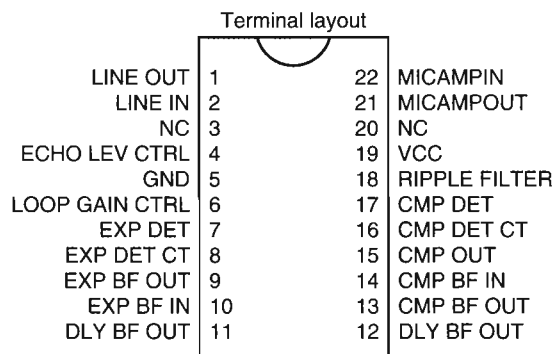
	1G	2G	3G	4G	5G	6G	7G	8G
P1	9	—	—	—	—	—	□	5-3
P2	10	—	—	—	—	—	EON	4-3
P3	11	4a	4a	4a	4a	6-k	RDS	3-3
P4	12	4b	4b	4b	4b	6-j	—	2-3
P5	5	4k	4k	4k	4k	6-e	7-2	1-3
P6	6	4j	4j	4j	4j	6-f	—	5-2
P7	7	4h	4h	4h	4h	6-g	7-6	4-2
P8	8	4f	4f	4f	4f	6-h	7-8	3-2
P9	1	4g	4g	4g	4g	6-i	7-7	2-2
P10	2	4m	4m	4m	4m	6-a	7-10	1-2
P11	3	4c	4c	4c	4c	6-b	7-9	5-1
P12	4	4n	4n	4n	4n	6-c	7-1	4-1
P13	SOURCE	4p	4p	4p	4p	6-d	CD	3-1
P14	OFF	4r	4r	4r	4r	—	1	2-1
P15	ON	4e	4e	4e	4e	—	—	1-1
P16	CLOCK	4d	4d	4d	4d	—	ALL	S3
P17	16	—	—	s	—	MHz	REPEAT	1-4
P18	15	—	—	t	—	—	RANDOM	2-4
P19	14	—	—	—	—	SET	PROGRAM	3-4
P20	13	—	—	—	—	kHz	TA	4-4
P21	—	5d	5d	5d	5d	1a	—	5-4
P22	1-a	5e	5e	5e	5e	1b	NEWS	1-5
P23	1-b	5r	5r	5r	5r	1f	INFO	2-5
P24	1-c	5p	5p	5p	5p	1g	□	3-5
P25	2-a	5n	5n	5n	5n	1c	7-5	4-5
P26	2-b	5c	5c	5c	5c	1e	TUNED	5-5
P27	2-c	5m	5m	5m	5m	1d	STEREO	1-6
P28	3-a	5g	5g	5g	5g	CH	AUTO	2-6
P29	3-b	5f	5f	5f	5f	2a	7-3	3-6
P30	3-c	5h	5h	5h	5h	2b	7-11	4-6
P31	S1	5j	5j	5j	5j	2f	—	5-6
P32	—	5k	5k	5k	5k	2g	—	1-7
P33	1-d	5b	5b	5b	5b	2c	SOUND MODE	2-7
P34	REC	5a	5a	5a	5a	2e	7-4	3-7
P35	DAILY	—	—	—	—	2d	PLO LOGIC	4-7
P36	SLEEP	—	—	—	—	VOL	3CH LOGIC	5-7

Pin Connection

TERMINAL NO. ELECTRODE	1	2	3	4	5	6	7	8	9	10	11																				
	F	F	NP	NP	1G	2G	3G	4G	5G	6G	7G																				
TERMINAL NO. ELECTRODE	12	13	14	15	16	17	18	19	20	21	22	23	24	25	26	27	28	29	30	31											
	8G	P	P	P	P	P	P	P	P	P	P	P	P	P	P	P	P	P	P	P											
TERMINAL NO. ELECTRODE	32	33	34	35	36	37	38	39	40	41	42	43	44	45	46	47	48	49	50	51											
	P	P	NX	NX	NX	36	35	34	33	32	31	30	29	28	27	26	25	24	23	22											
TERMINAL NO. ELECTRODE											52	53	54	55	56	57	58	59	60	61	62										
											P	NX	NX	NX	NX	NX	NX	NP	NP	F	F										

Notes F : Filament NP : No Pin
 G : Grid NX : No Extend Pin
 P : Anode

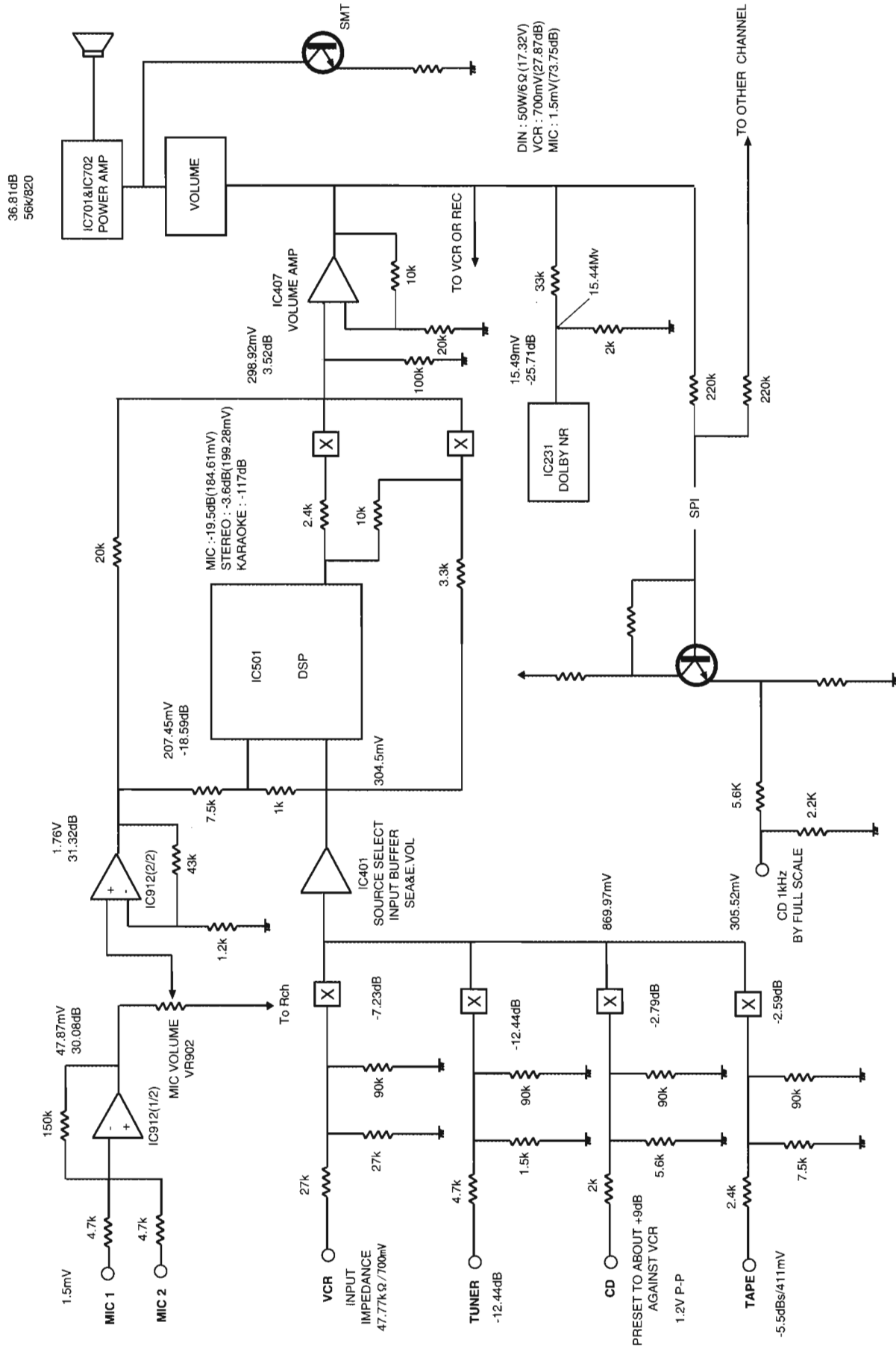
■ BA7725S (IC914) : Echo circuit Analogue Compantor : (Only used For U,UB,UP,UT,US)



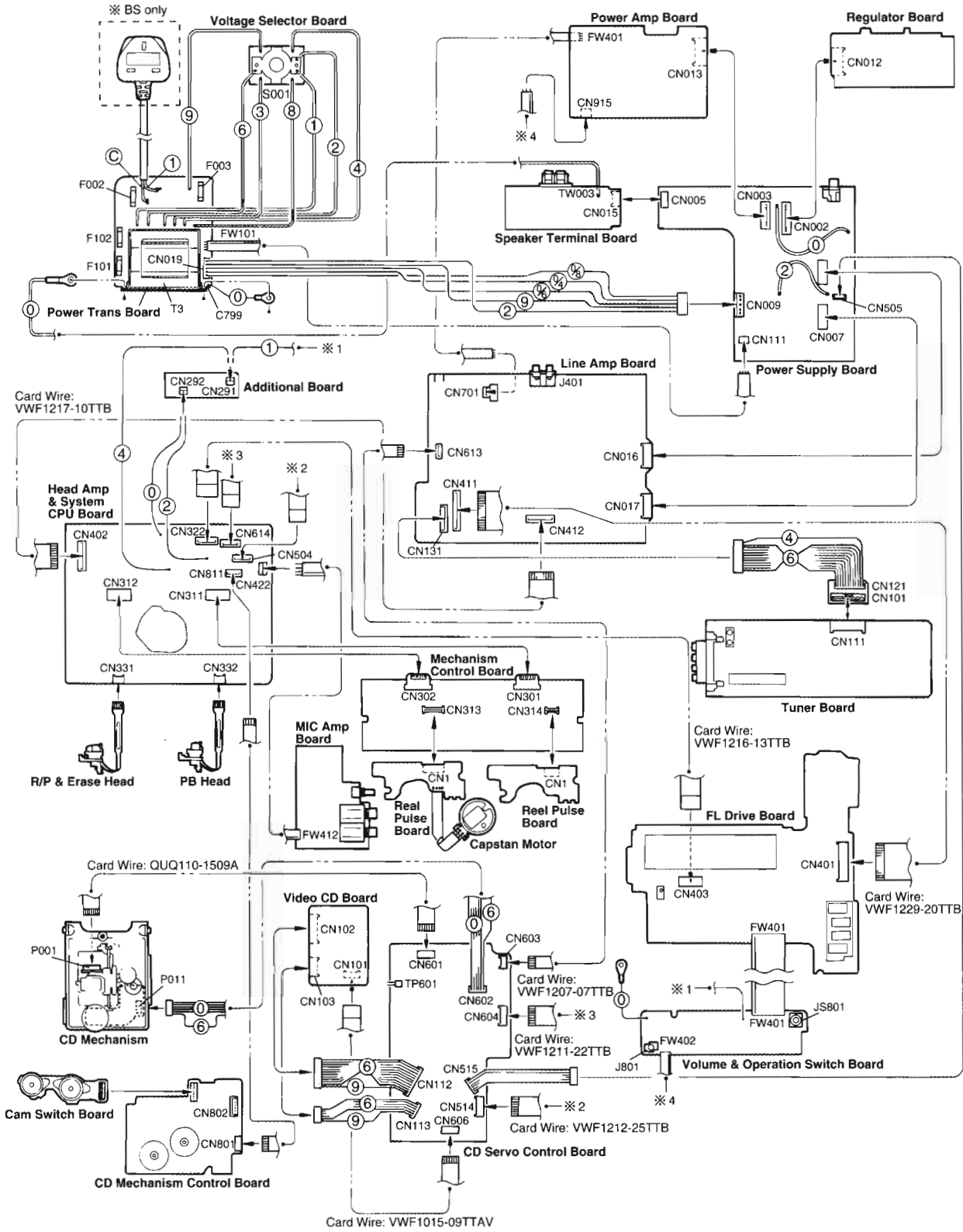
Terminal Description

Pin No.	Symbol	I/O	Function
1	LINE OUT	O	Line output
2	LINE IN	I	Line input
3	NC	-	Not used
4	ECHO LEV CTRL	I	Determines echo level. The echo circuit is off when 1 volt is added. The echo level varies according
5	GND	-	Analog GND
6	LOOP GAIN CTRL	I	Loop gain control terminal. The gain varies according to the voltage from 2 volts to 9 volts.
7	EXP DET	I	Detections terminal for expand circuit
8	EXP DET CT	I	Determines the attack and recovery time of expand circuit
9	EXP BF OUT	O	Buffer output for LPF (Expand circuit side)
10	EXP BF IN	I	Buffer input for LPF (Expand circuit side)
11	DLY BF OUT	O	Delay buffer output
12	DLY BF IN	I	Delay buffer input
13	CMP BF OUT	O	Buffer output (Compress circuit side)
14	CMP BF IN	I	Buffer input (Compress circuit side)
15	CMP OUT	O	Compress circuit output
16	CMP DET CT	I	Determines the attack and recovery time of compress circuit
17	CMP DET	I	Detections terminal for compress circuit
18	RIPPLE FILTER	I	A capacitor terminal for connected for ripple elimination filter
19	VCC	-	Power supply
20	NC	-	Not used
21	MIC AMP OUT	O	Mic amp output
22	MIC AMP IN	I	Mic amp input

Block Level Diagrams



Wiring Connections



Self Diagnosis Function of CD

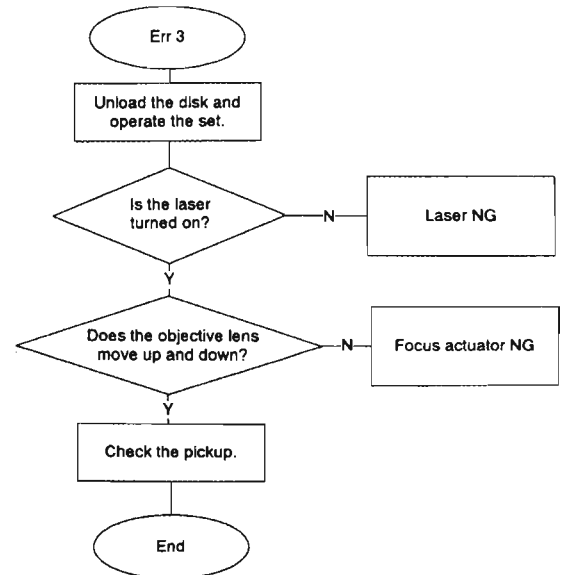
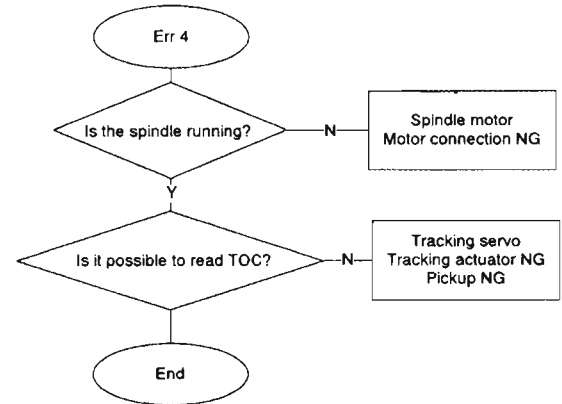
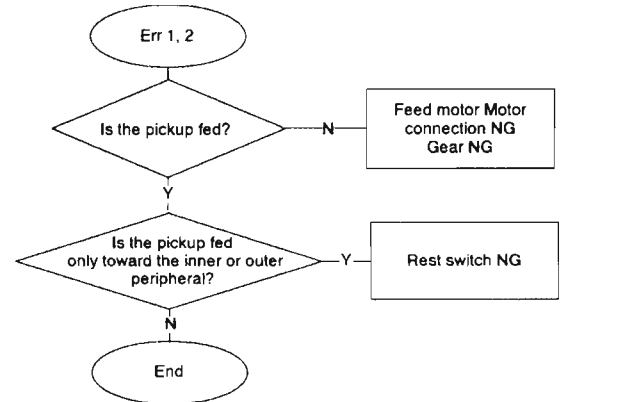
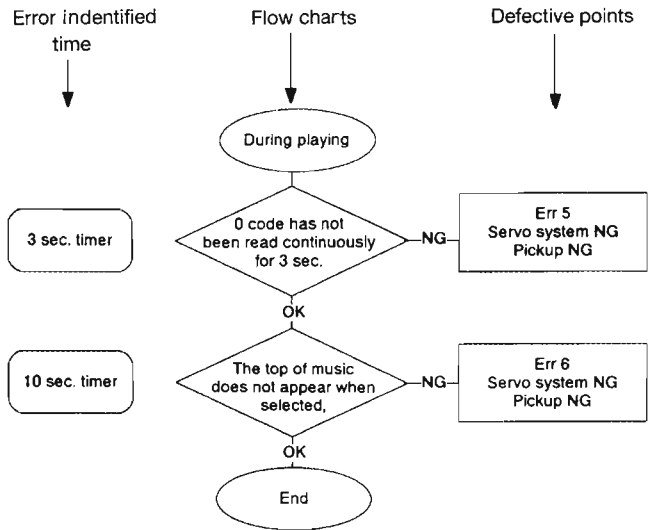
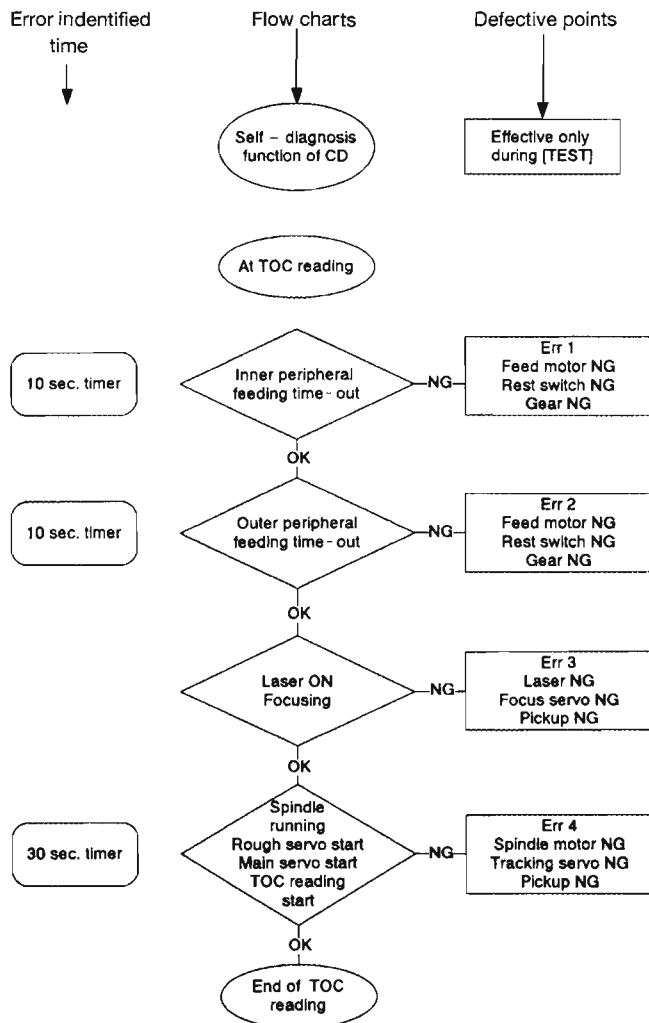
1. Purpose

This function is designed to display an error to readily clarify the cause of such an error should any trouble occur in CD.

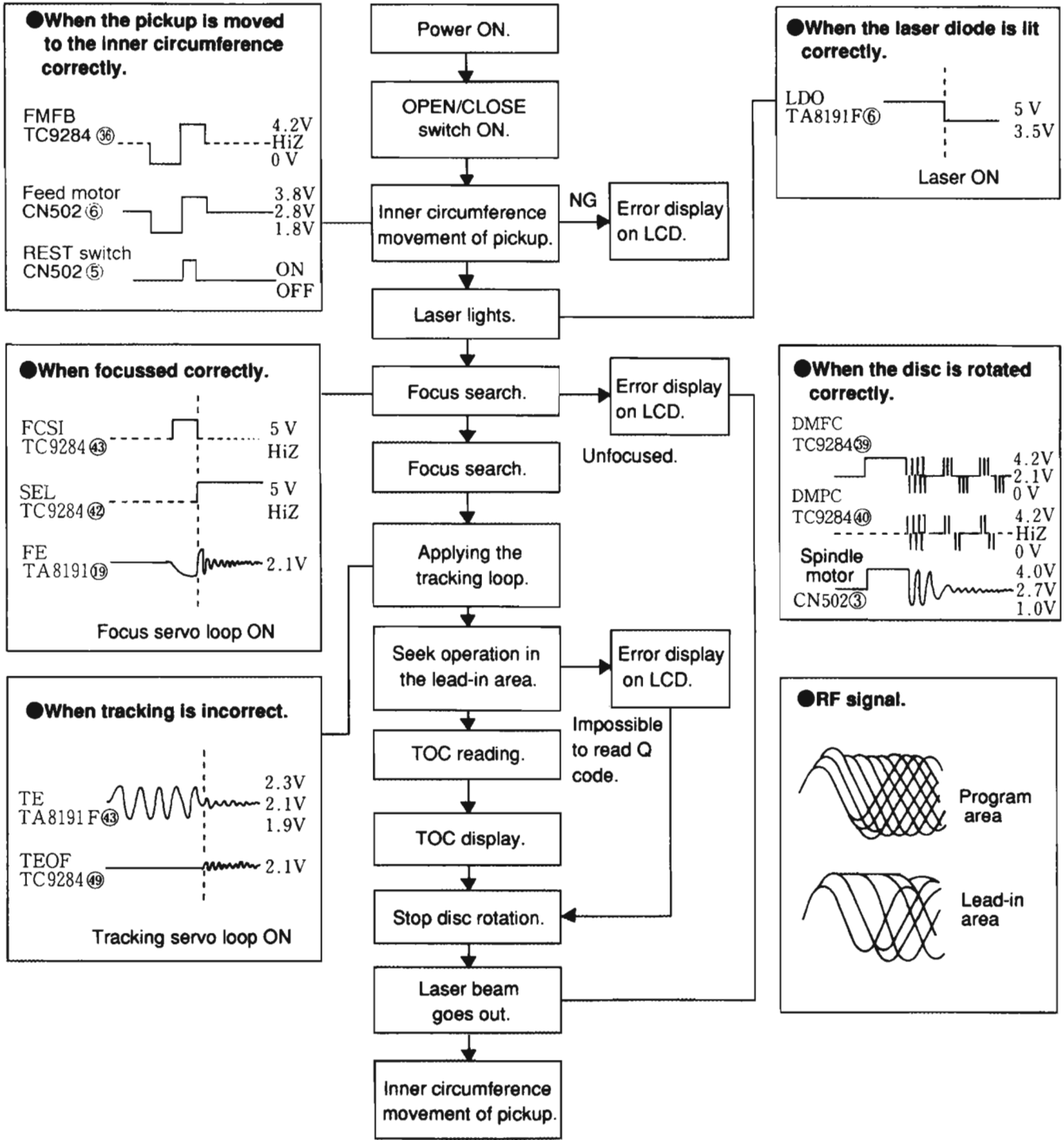
2. How to Use the Function

- (1) Turn the microcomputer action of the set to [TEST] mode.
- (2) Press **POWER** + **[] /CLEAR** on the remote control same time. Confirm that all of the LCDs have been turned on when set to the [TEST] mode subsequent to the step in item (2).
- (3) When the CD trouble has occurred after starting CD, an error code will be displayed on the display section of LCD, etc.

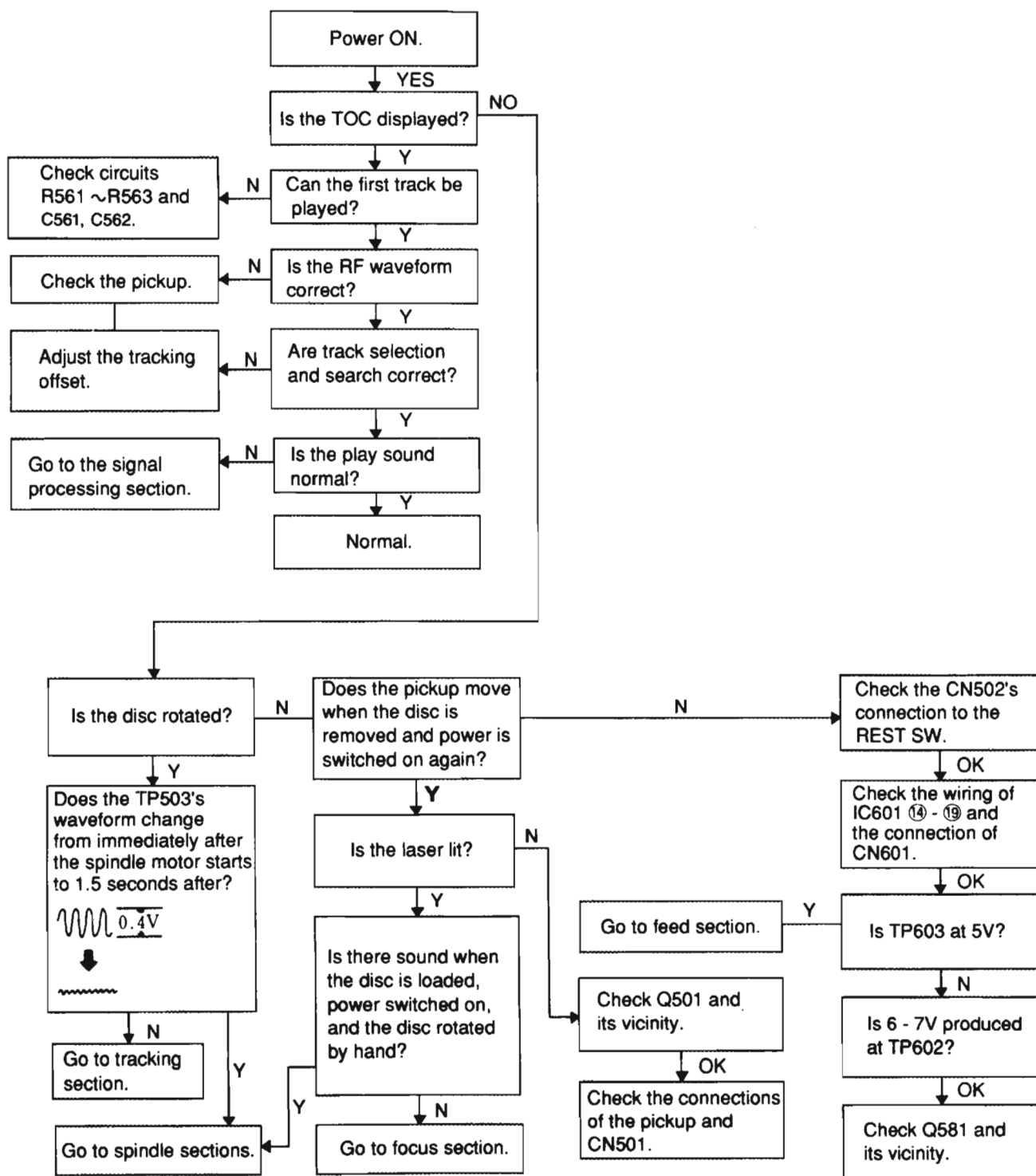
3. Error code and location in trouble



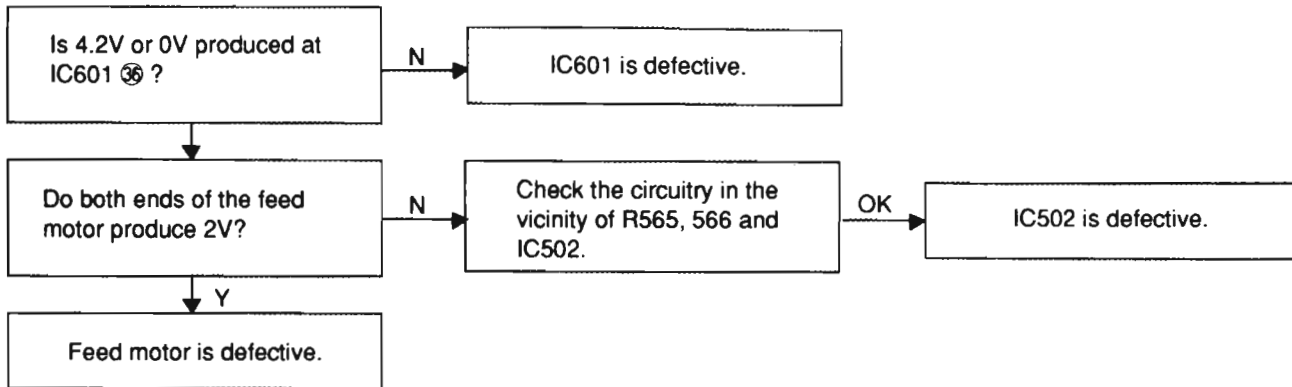
General descriptions of TOC (Table of Contents) readings



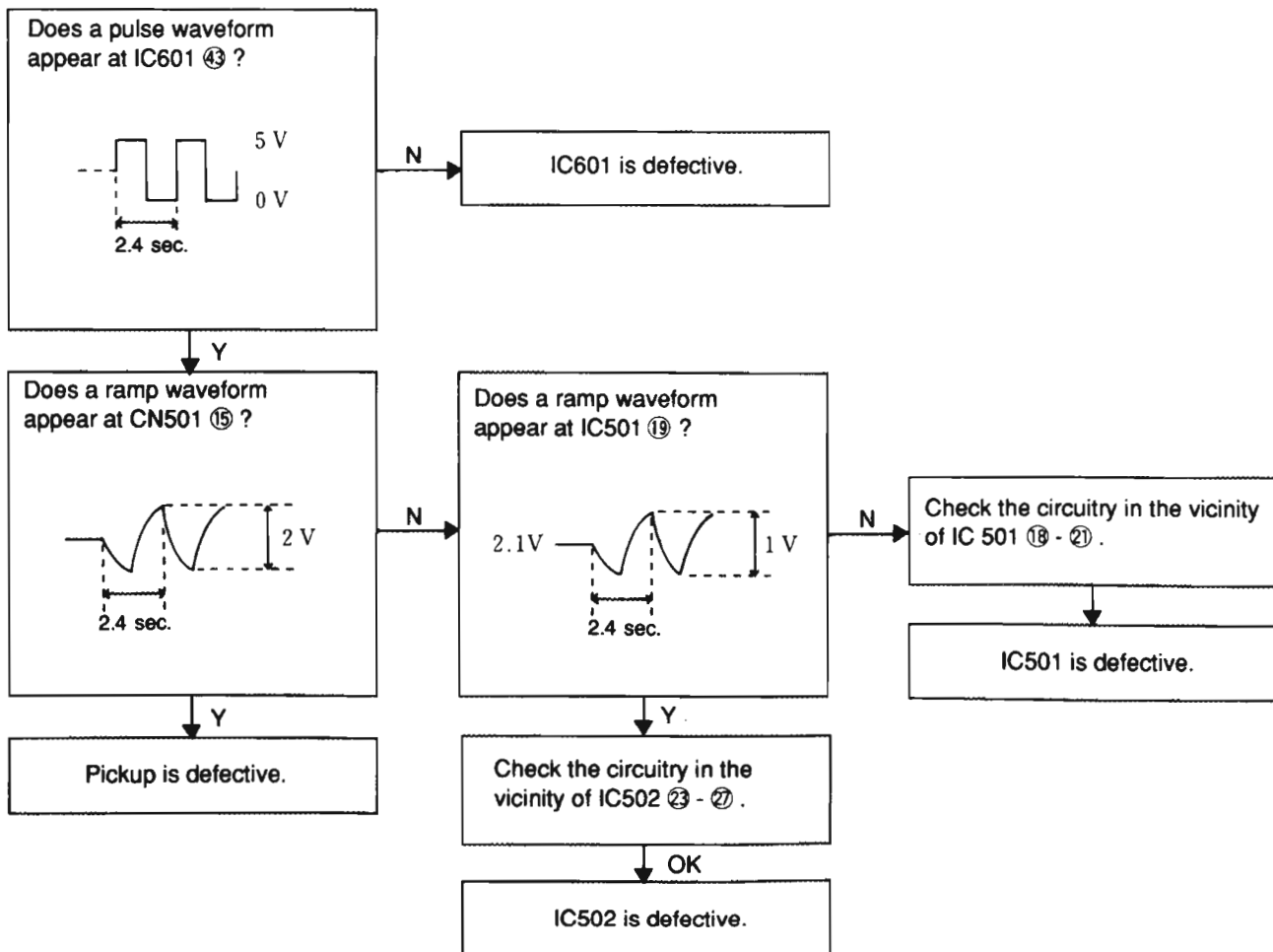
■ General section



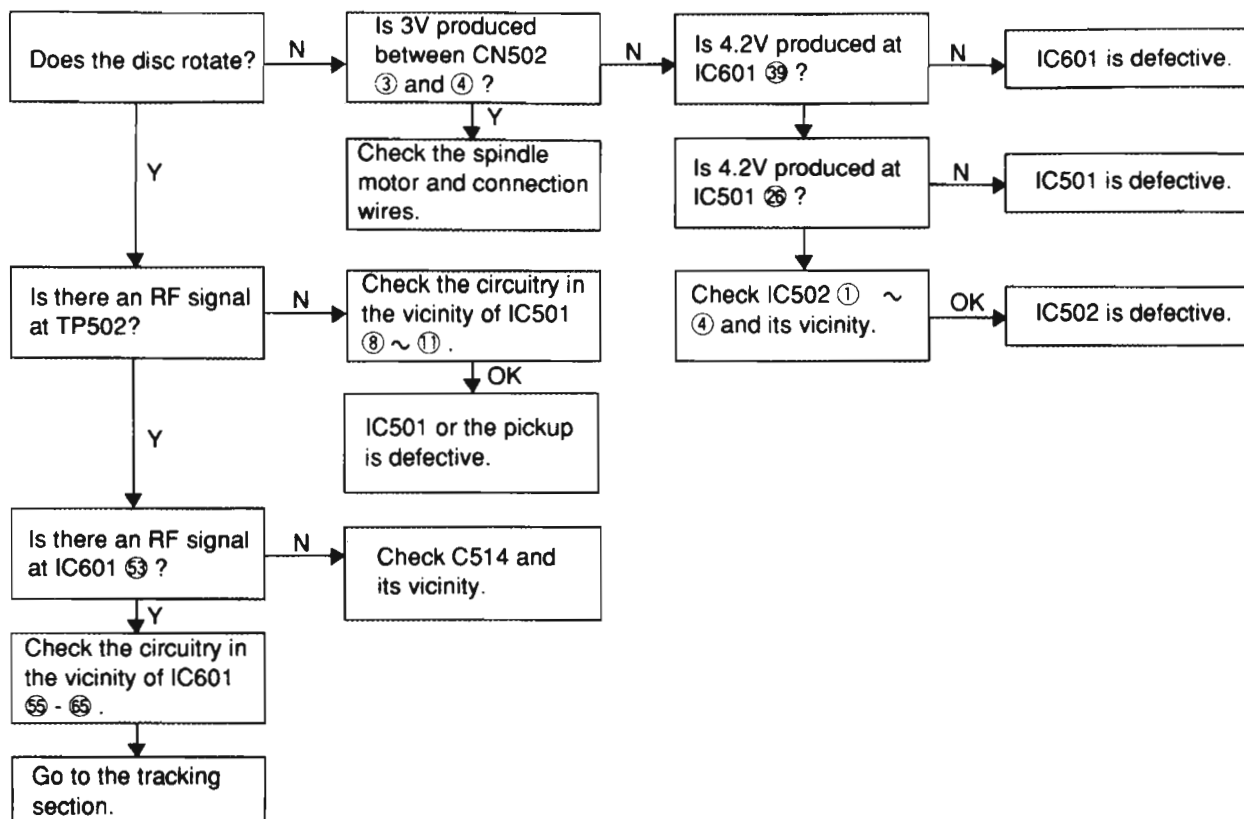
■ Feed section



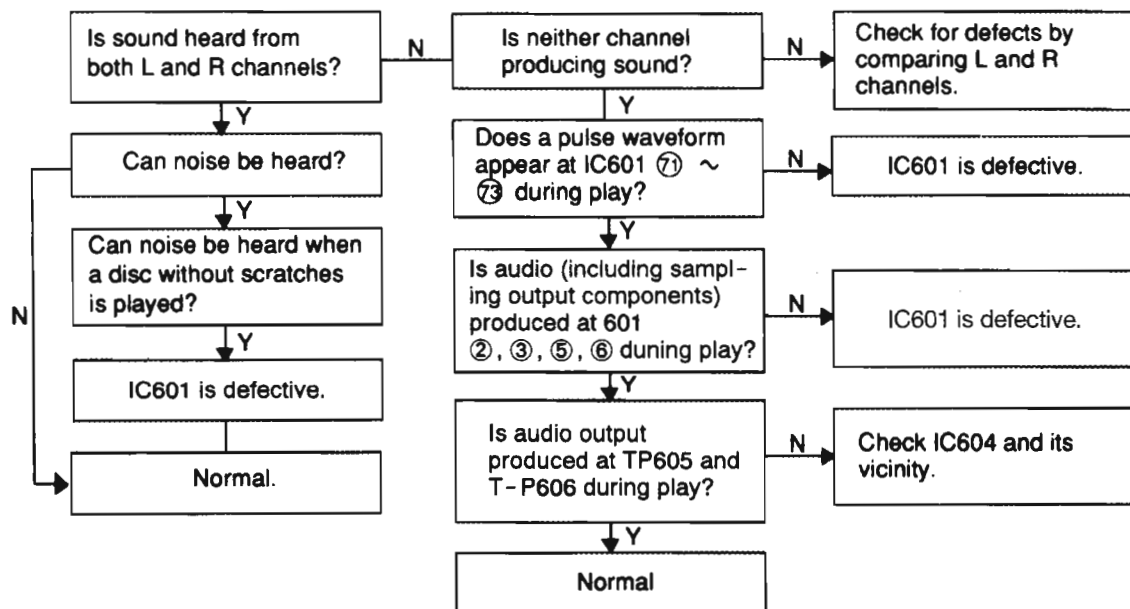
■ Focus section



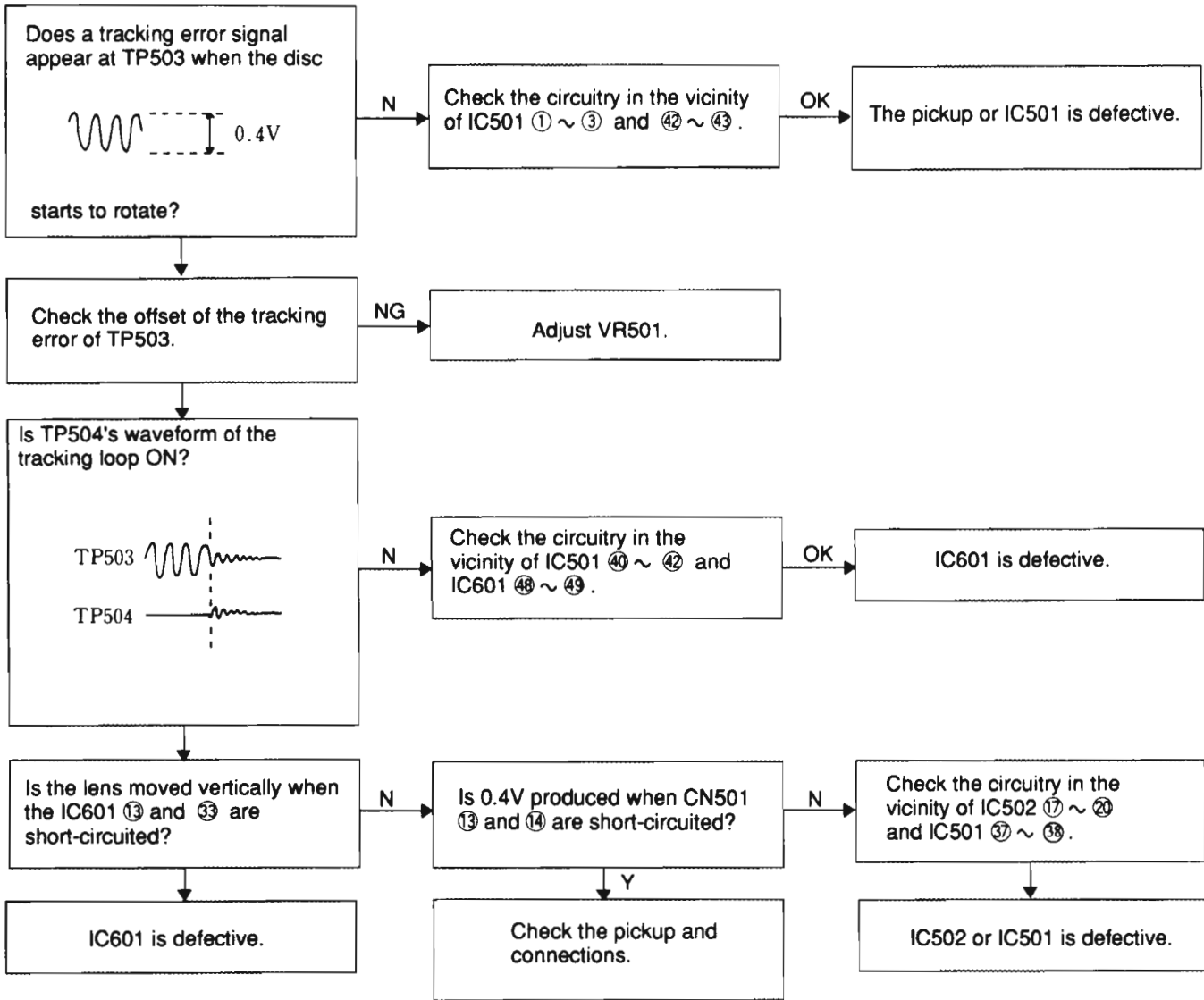
Spindle motor section

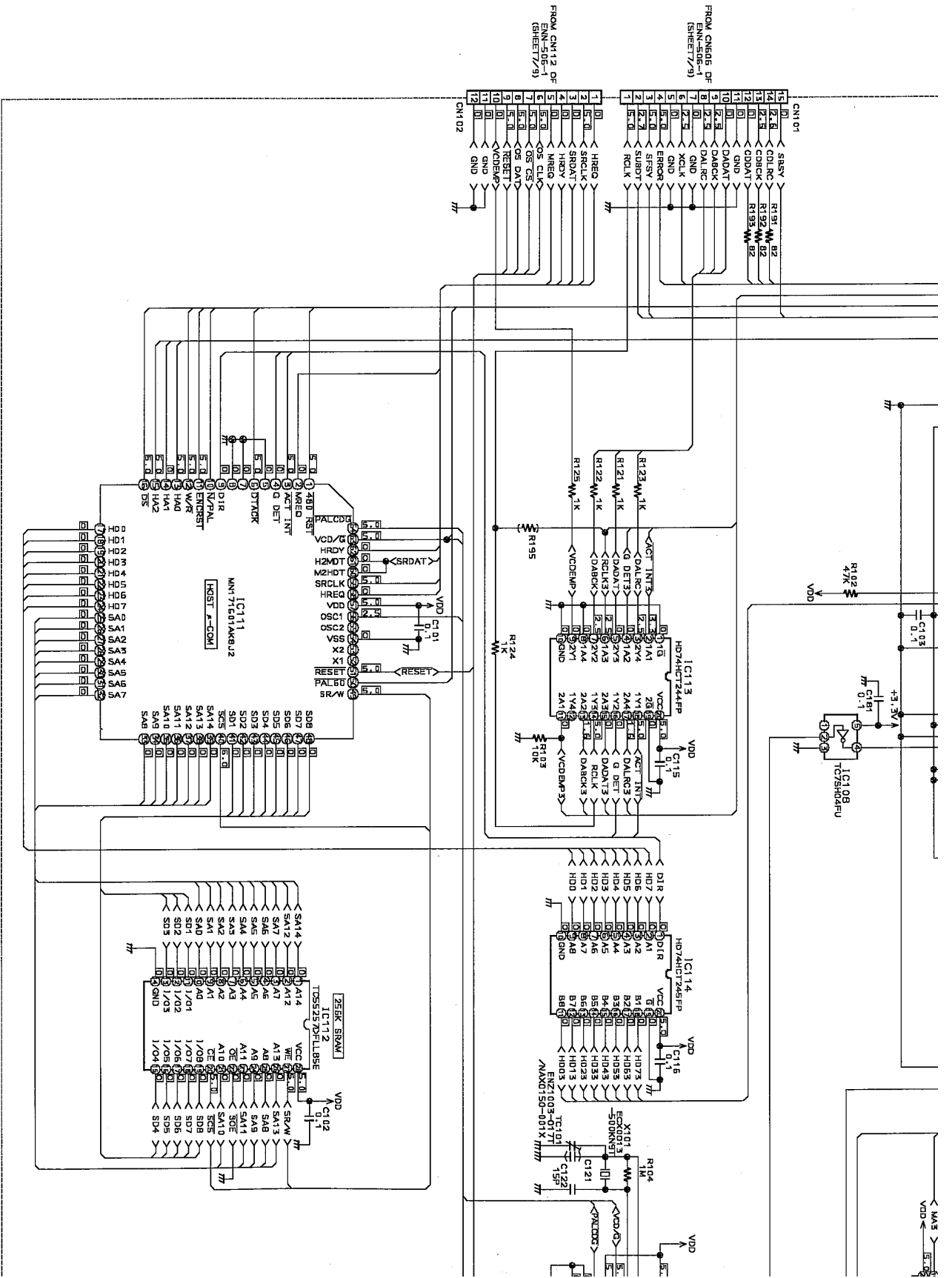


Signal processing section



■ Tracking section

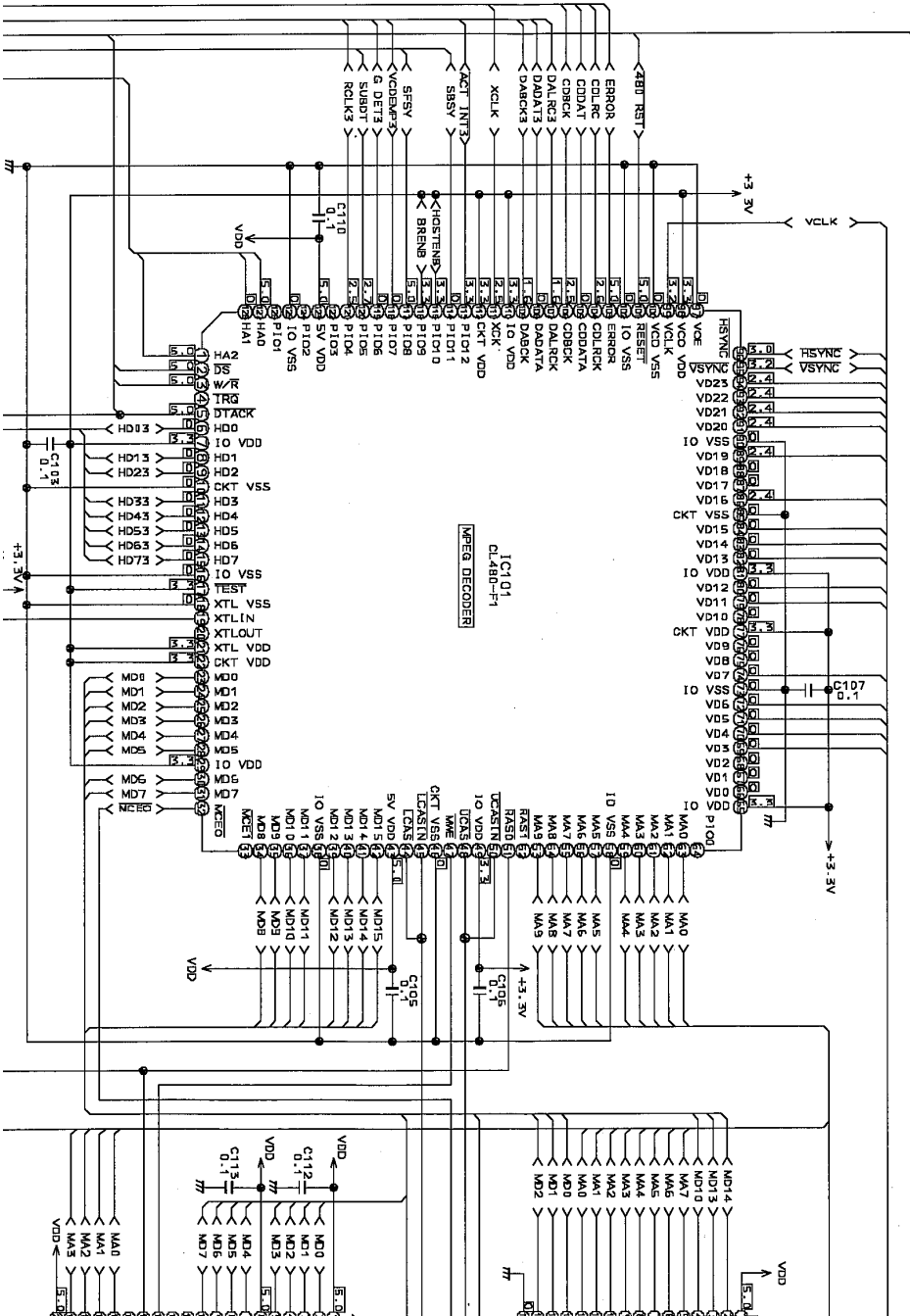


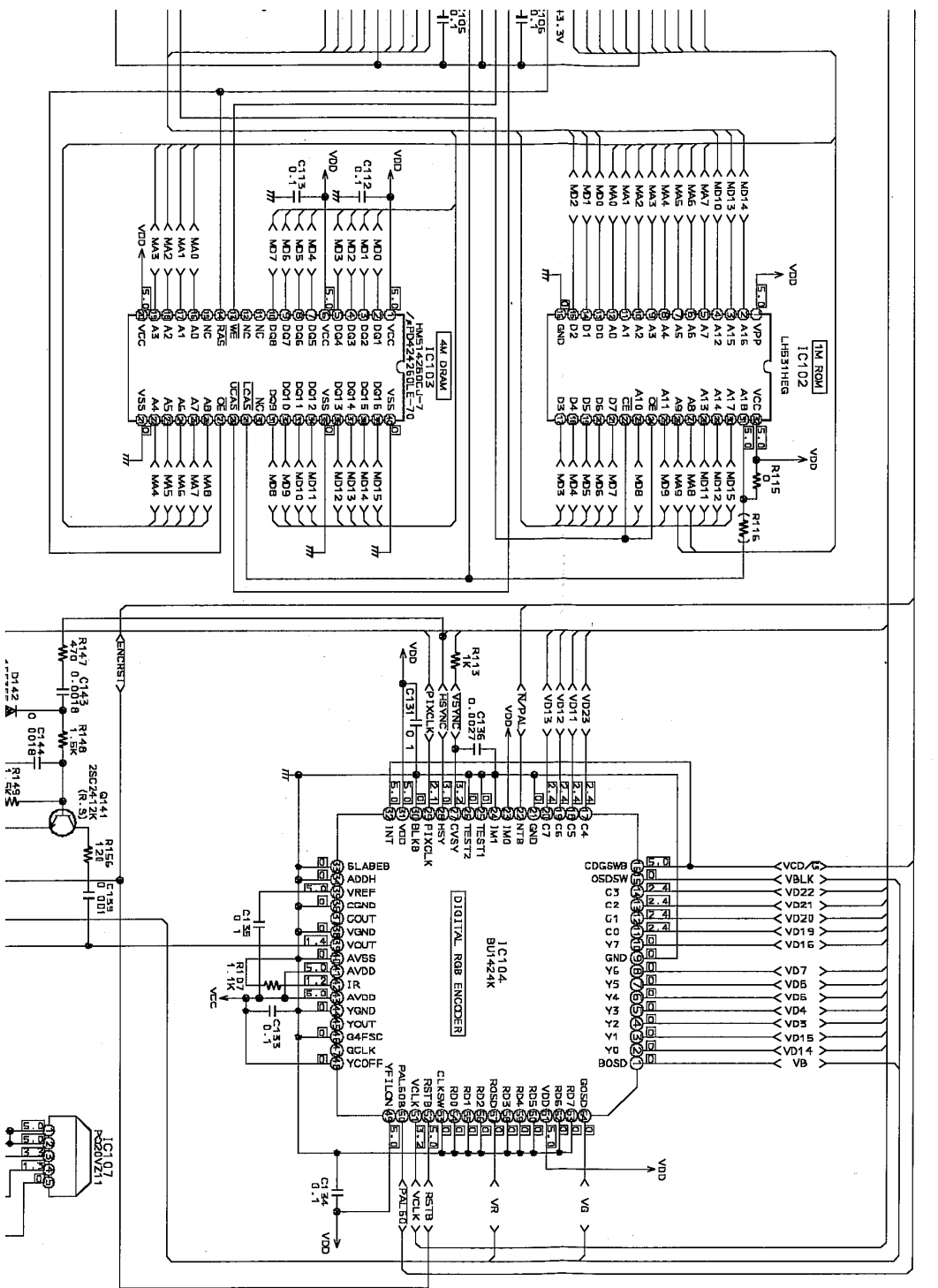


ENV-006

Standard Schematic Diagrams

(1) Video CD Circuit





4

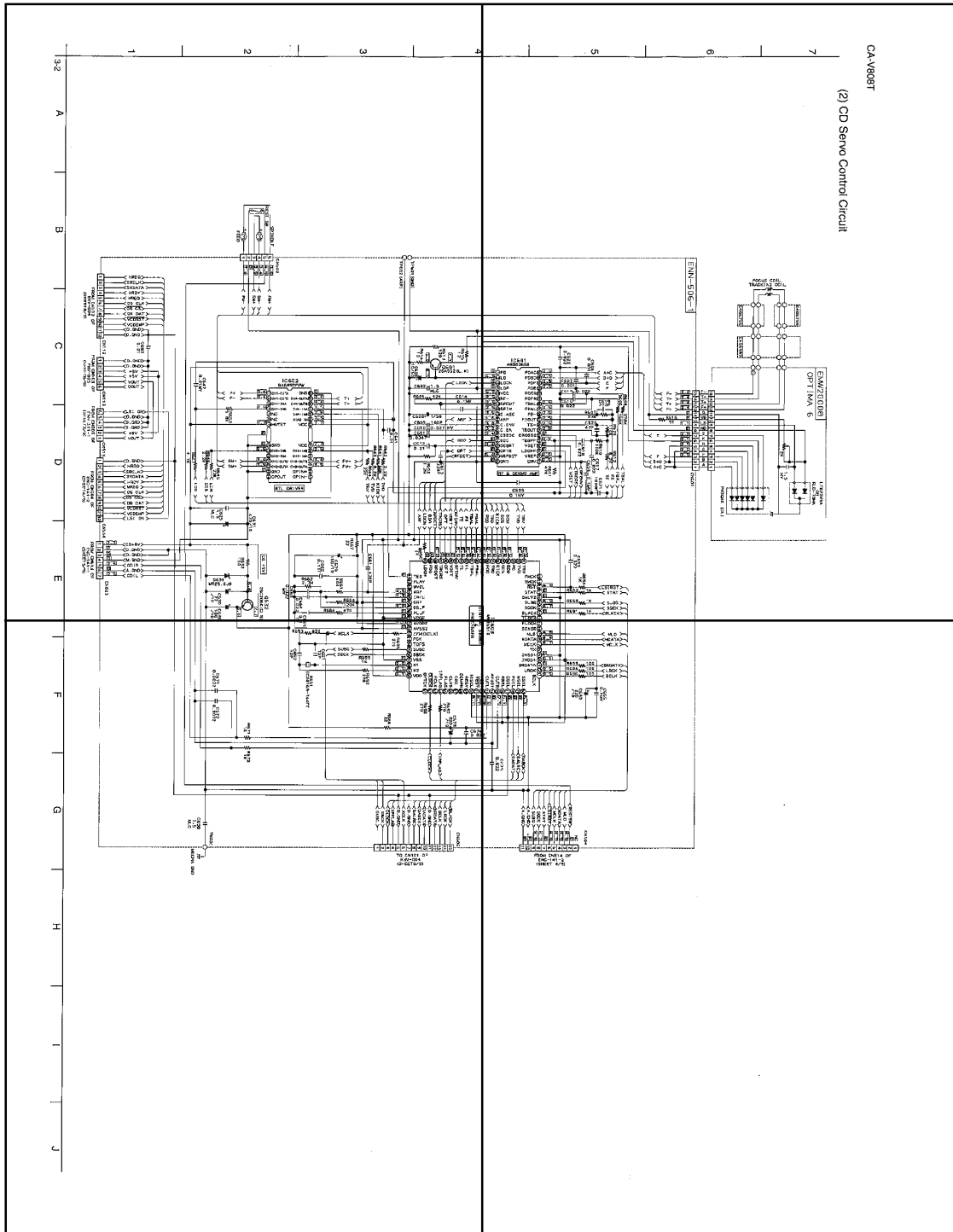
5

6

7

P3-2-a

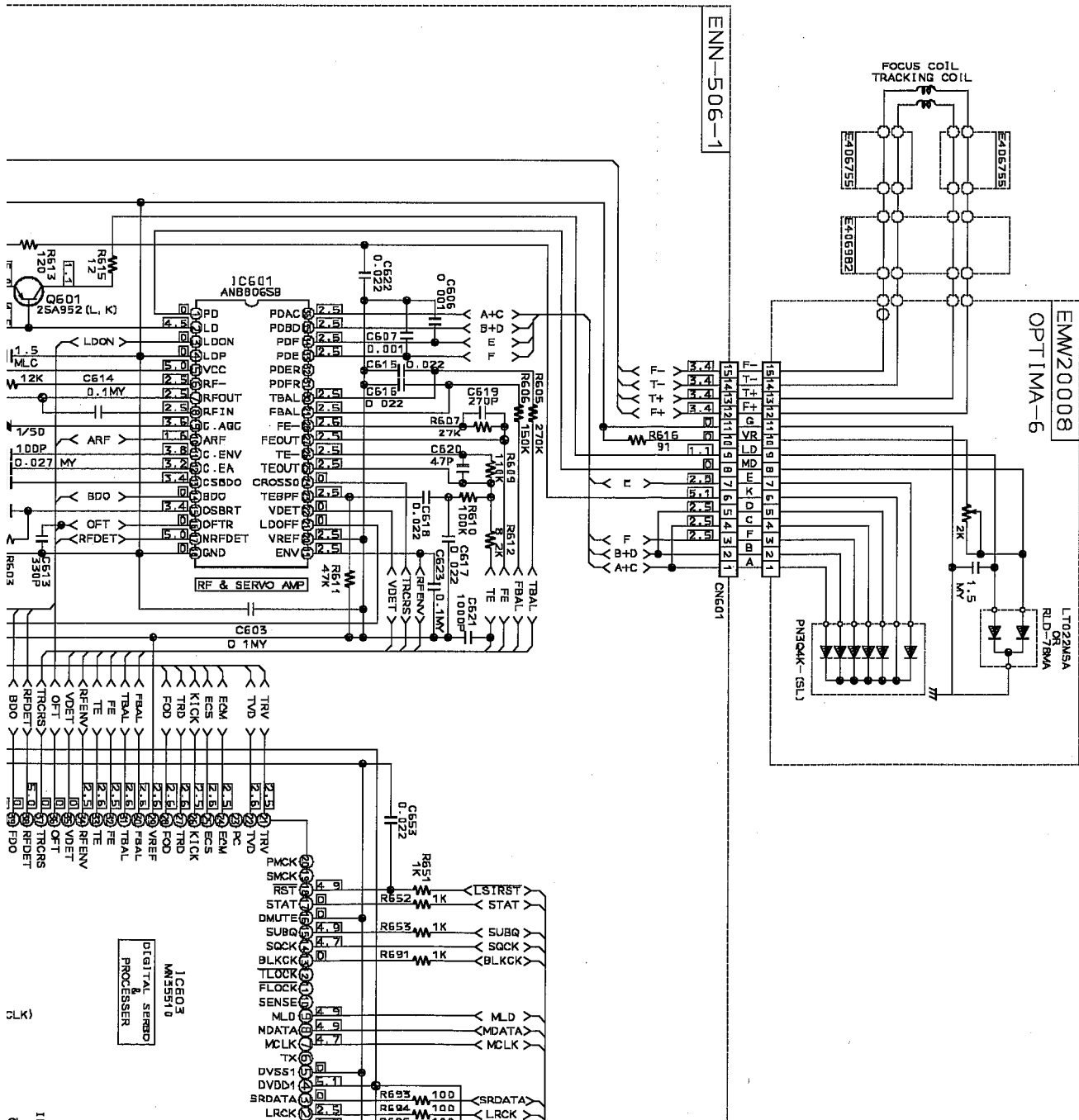
P3-2-b

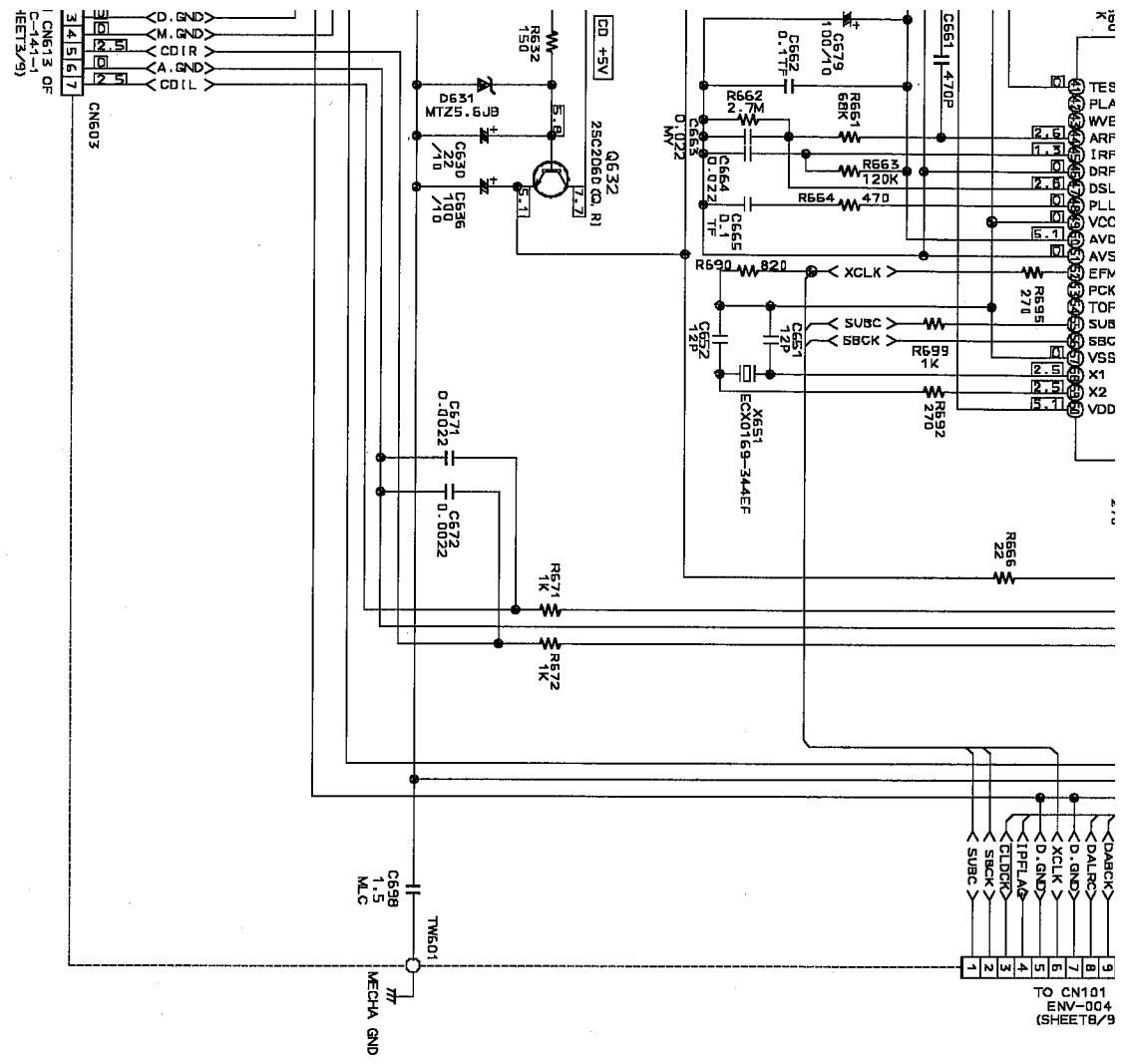


P3-2-c

P3-2-d

(2) CD Servo Control Circuit



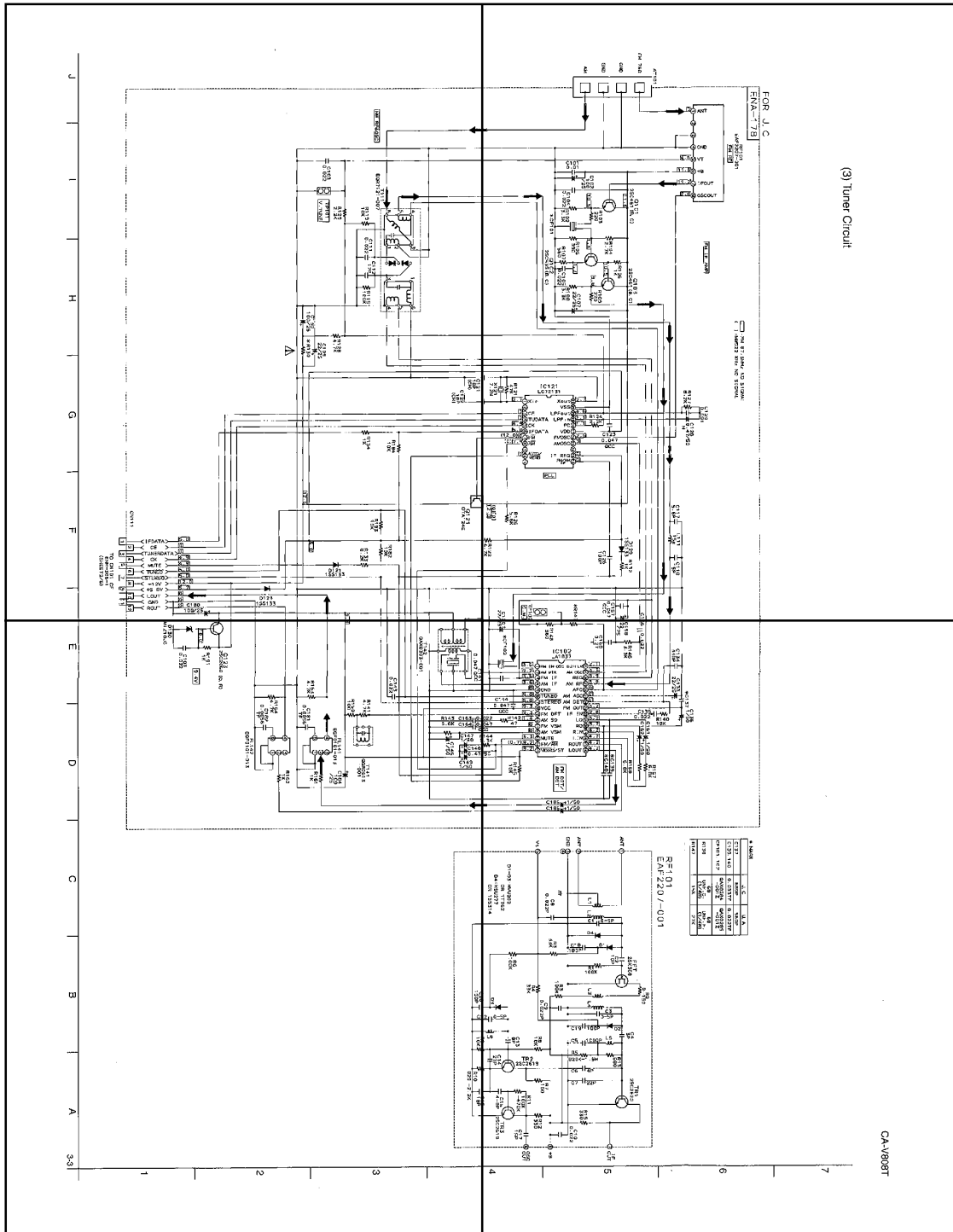


TO CN101
 ENV-004
 (SHEETB/9)

E | F | G | H | I | J

P3-3-a

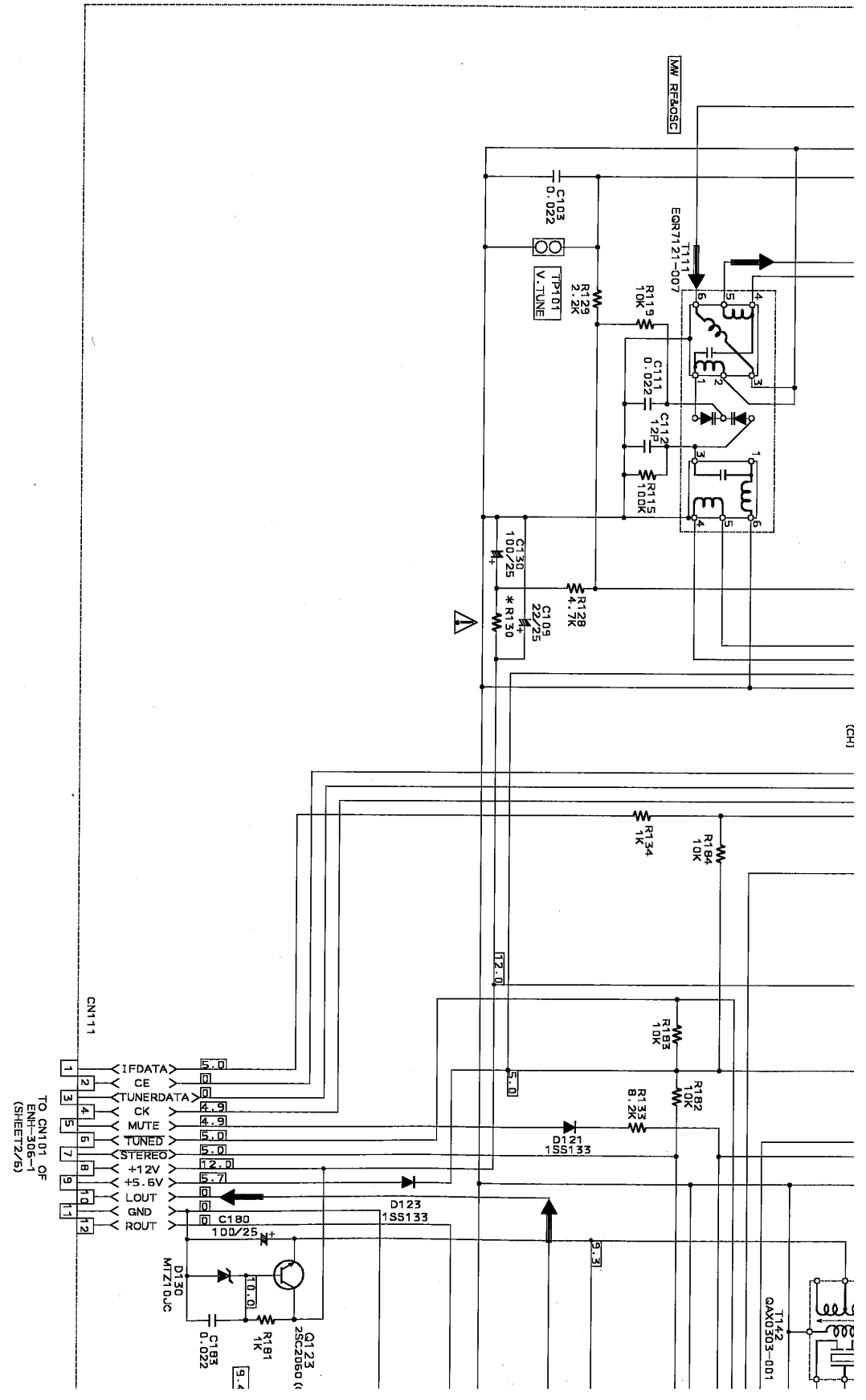
P3-3-b



P3-3-c

P3-3-d

J I H G F E

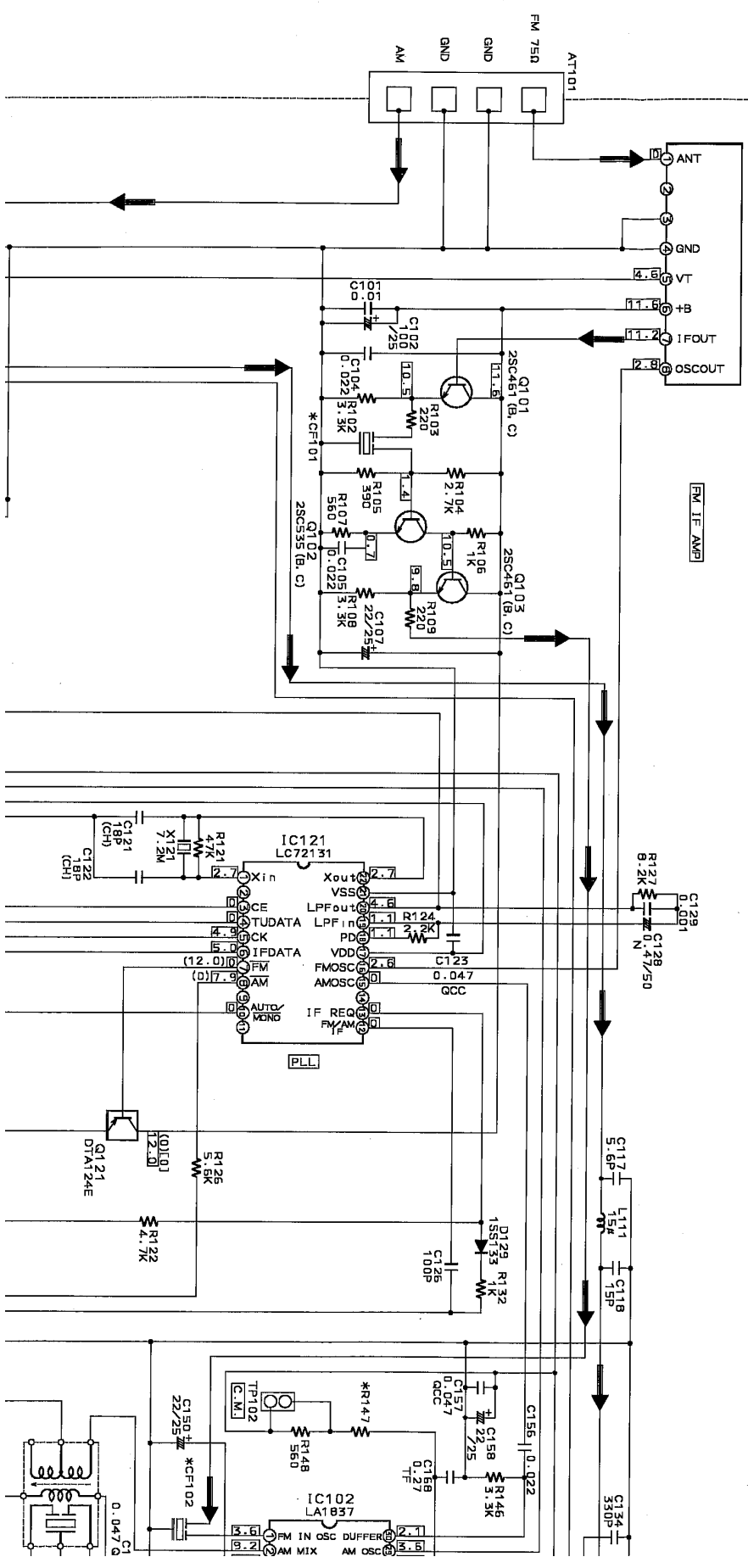


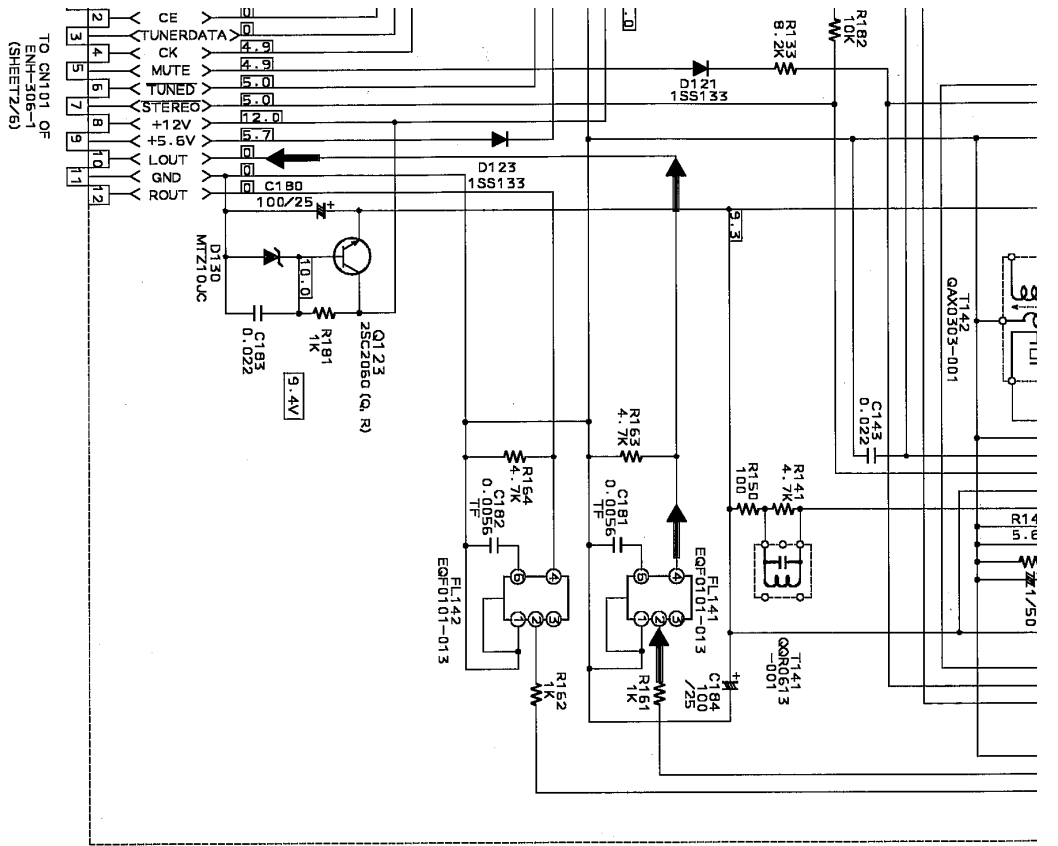
(3) Tuner Circuit

FOR J.C
ENA-178

RF101
EAF2207-001
FM RF

□ : FM 87.5MHz NO SIGNAL
() : 14522 KHz NO SIGNAL



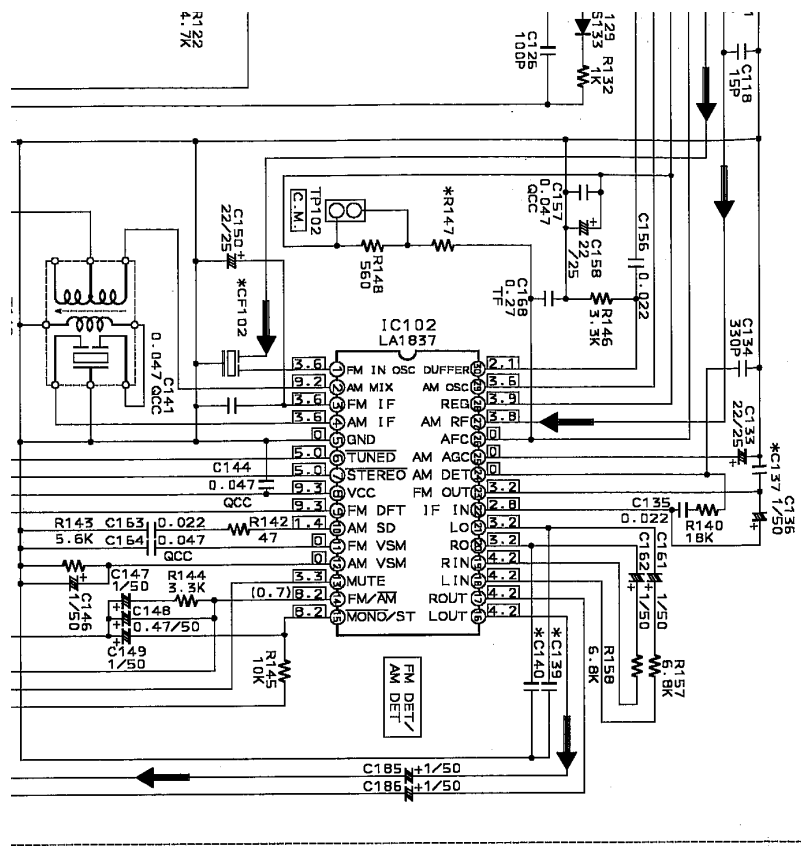
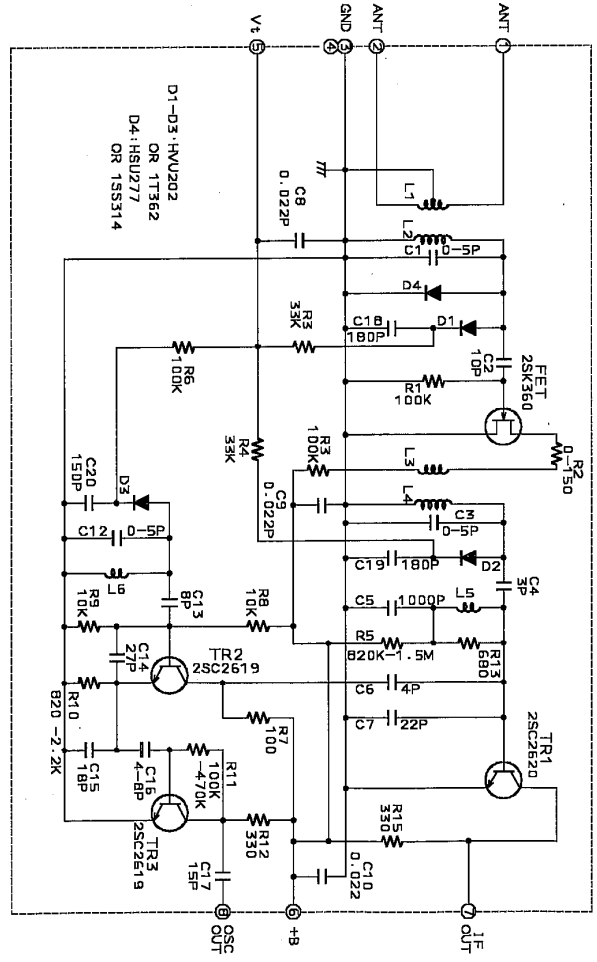


E D C B A 3-3

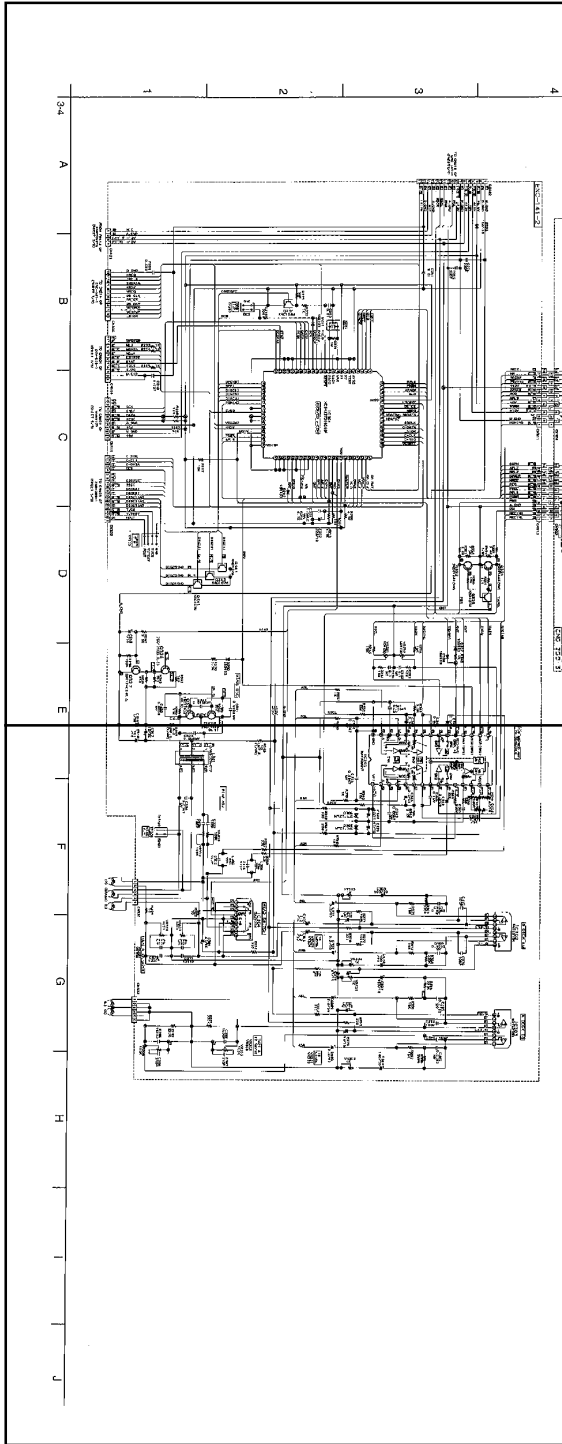
* MARK

	J, C	U, A
C137	680P	560P
C139, 140	0.0331F	0.0221F
CF101, 102	QAXX0284 -001Z	QAXX0285 -001Z
R130	59 UNF. C. (1/4W)	59 UNF. F. (1/4W)
R147	15K	27K

RF101
EAF2207-001

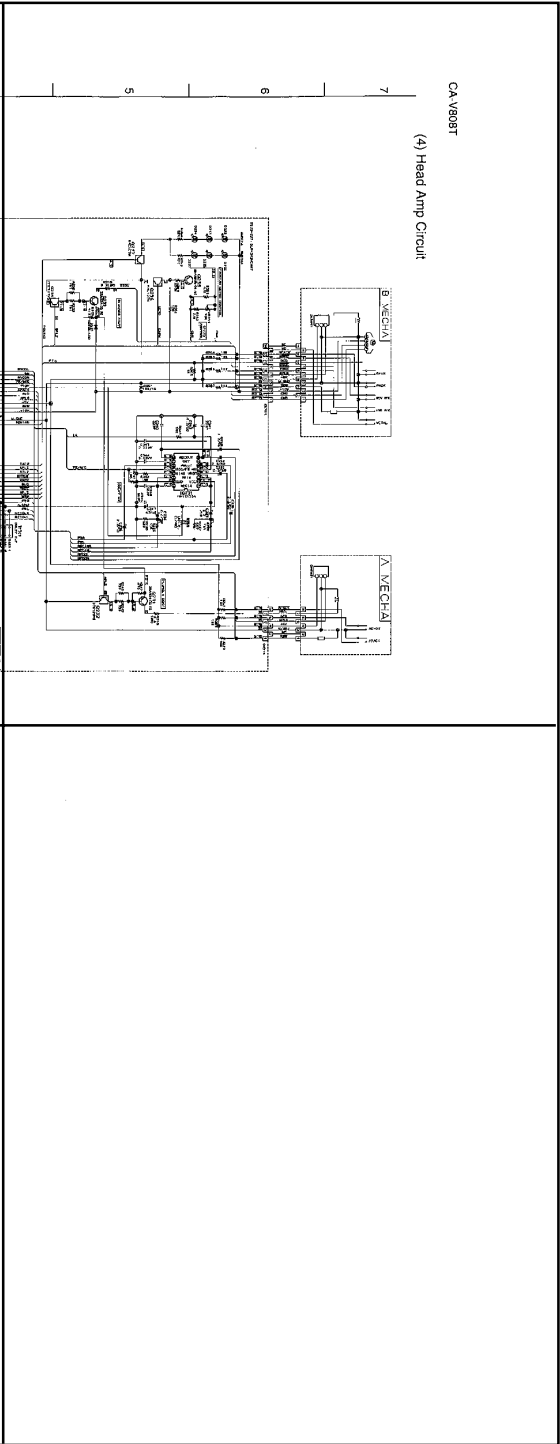


P3-4-a

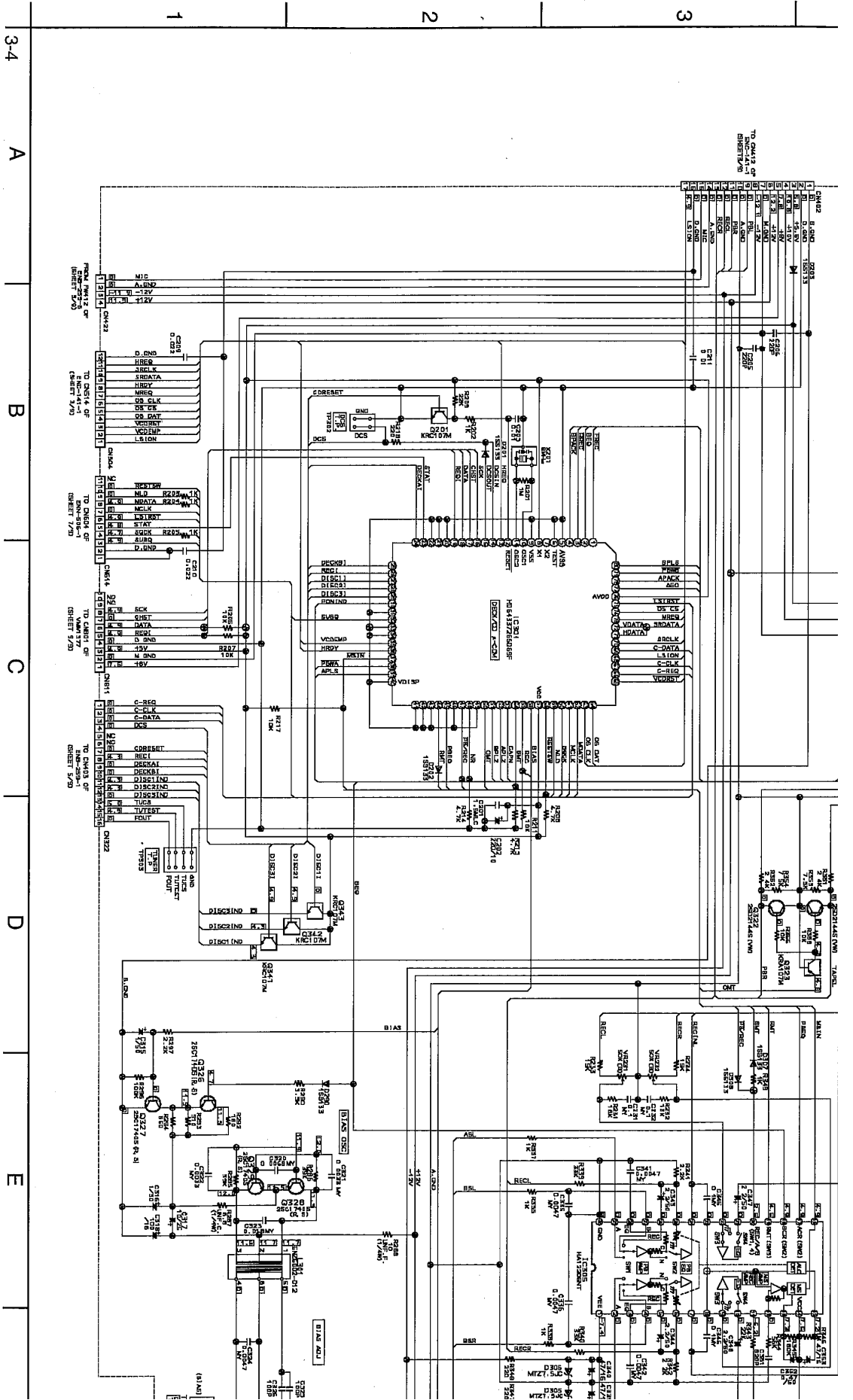


P3-4-c

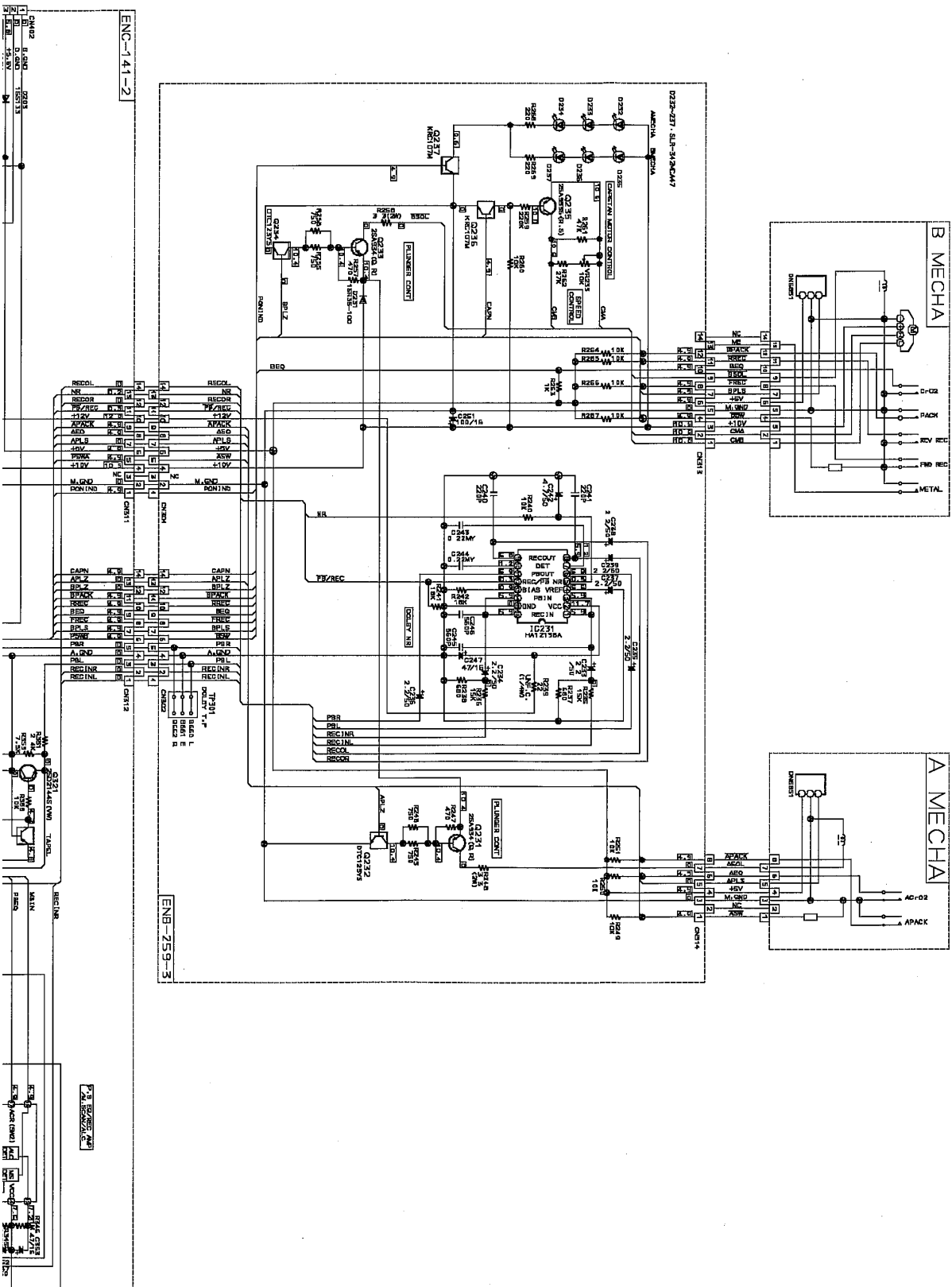
P3-4-b

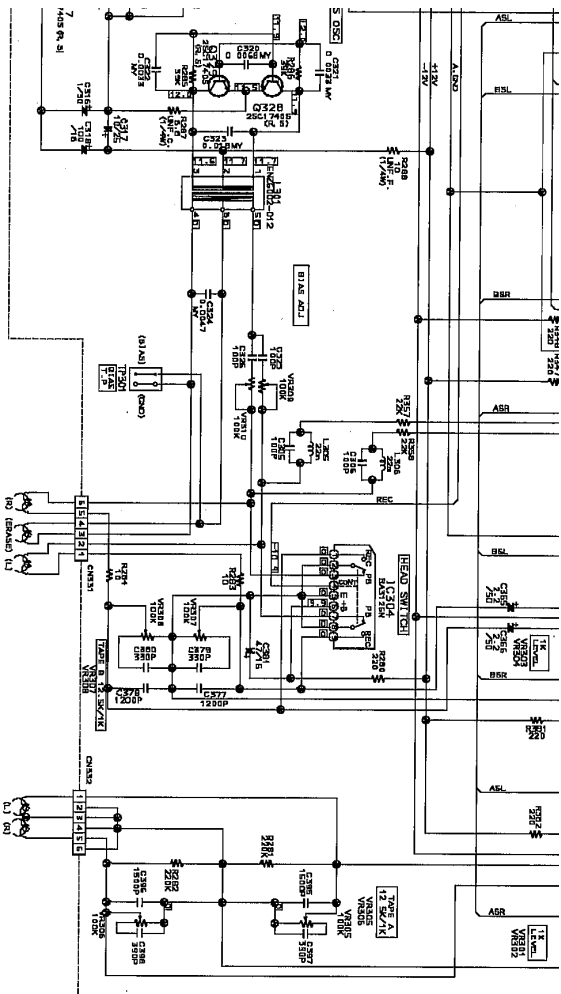


P3-4-d

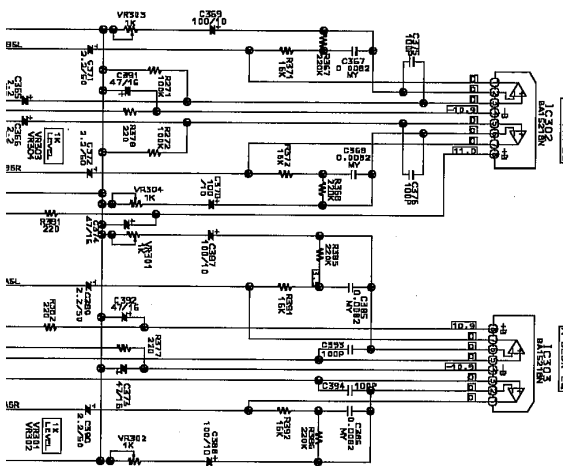
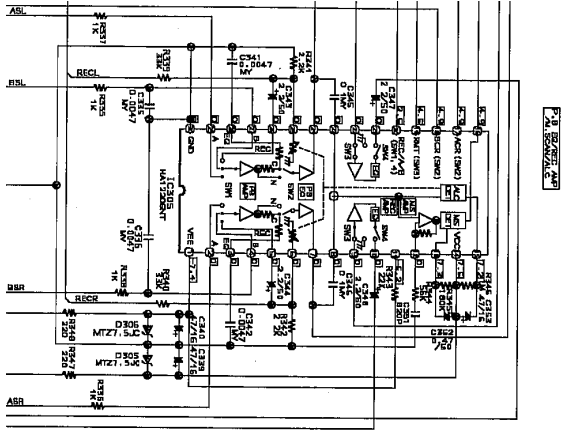


(4) Head Amp Circuit



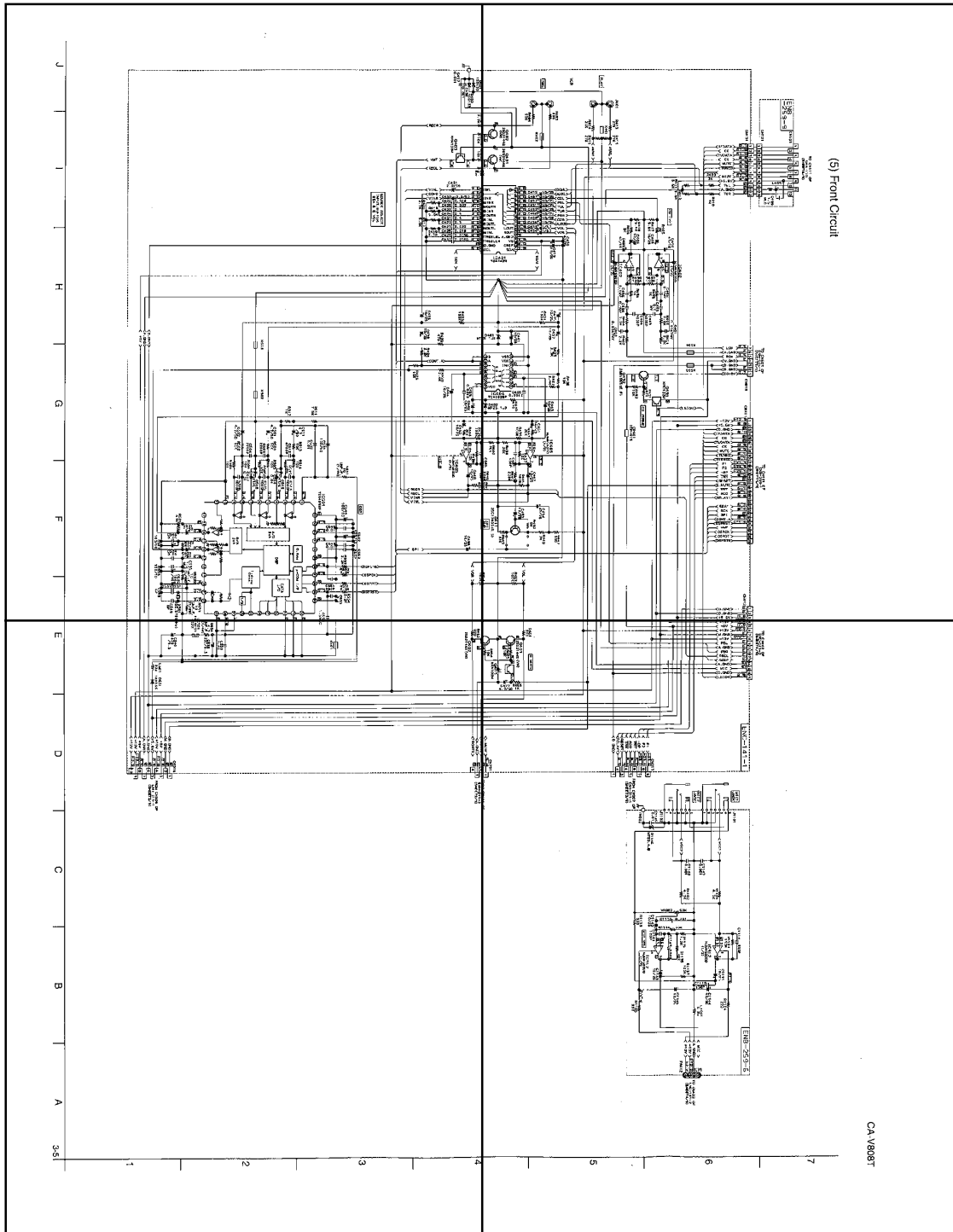


E | F | G | H | I | J



P3-5-a

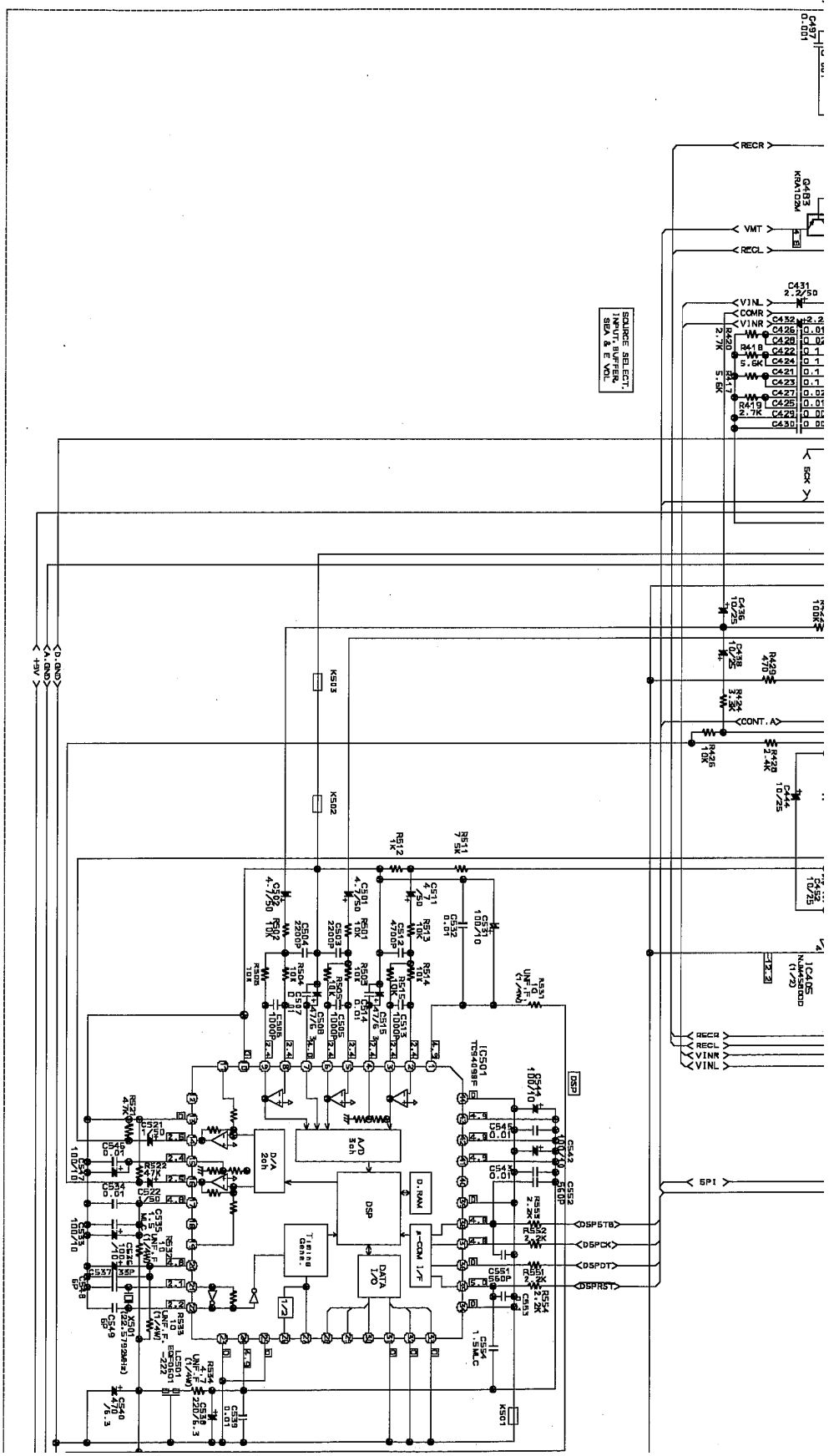
P3-5-b



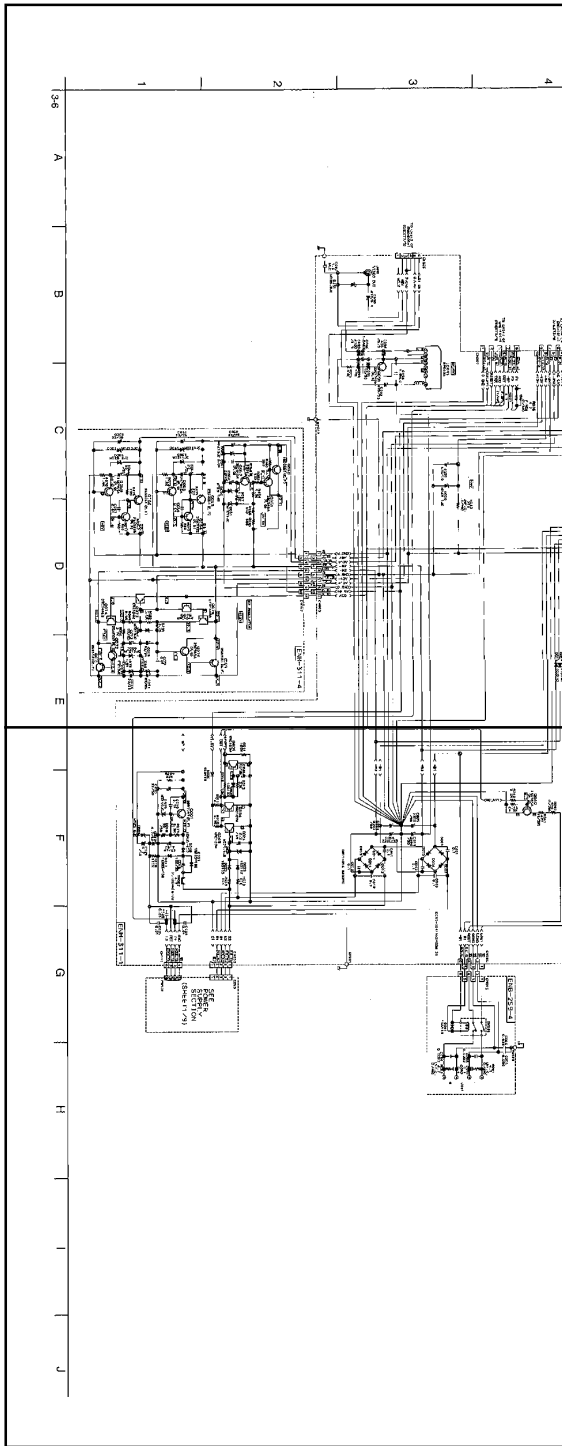
P3-5-c

P3-5-d

J | I | H | G | F | E

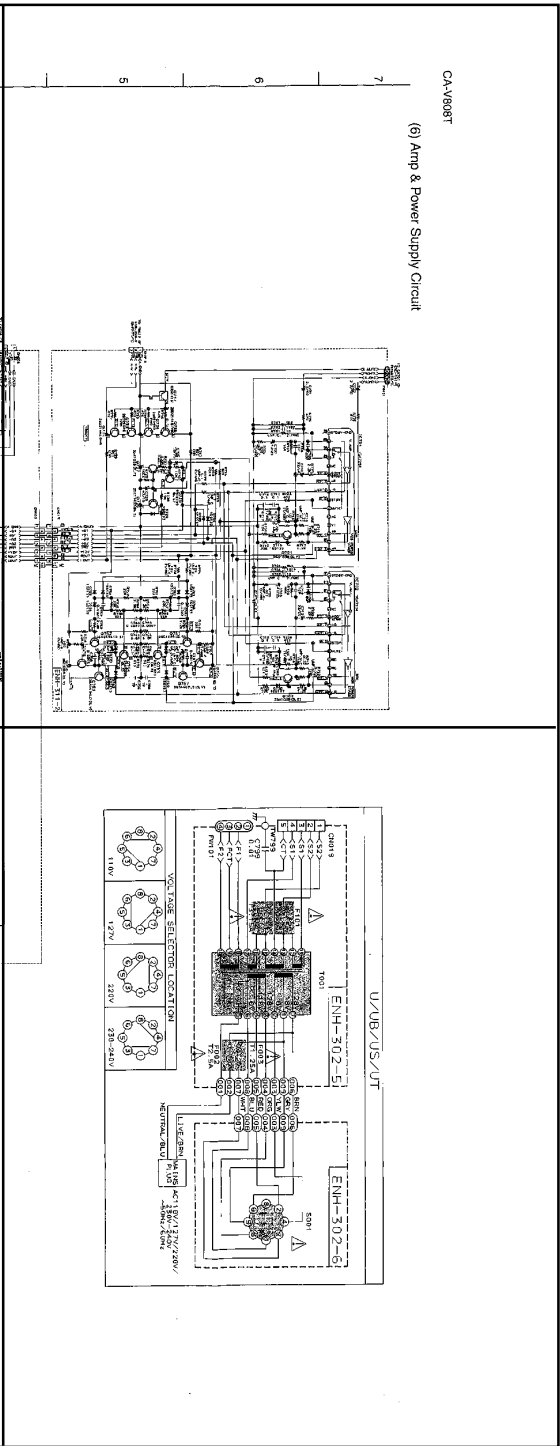


P3-6-a

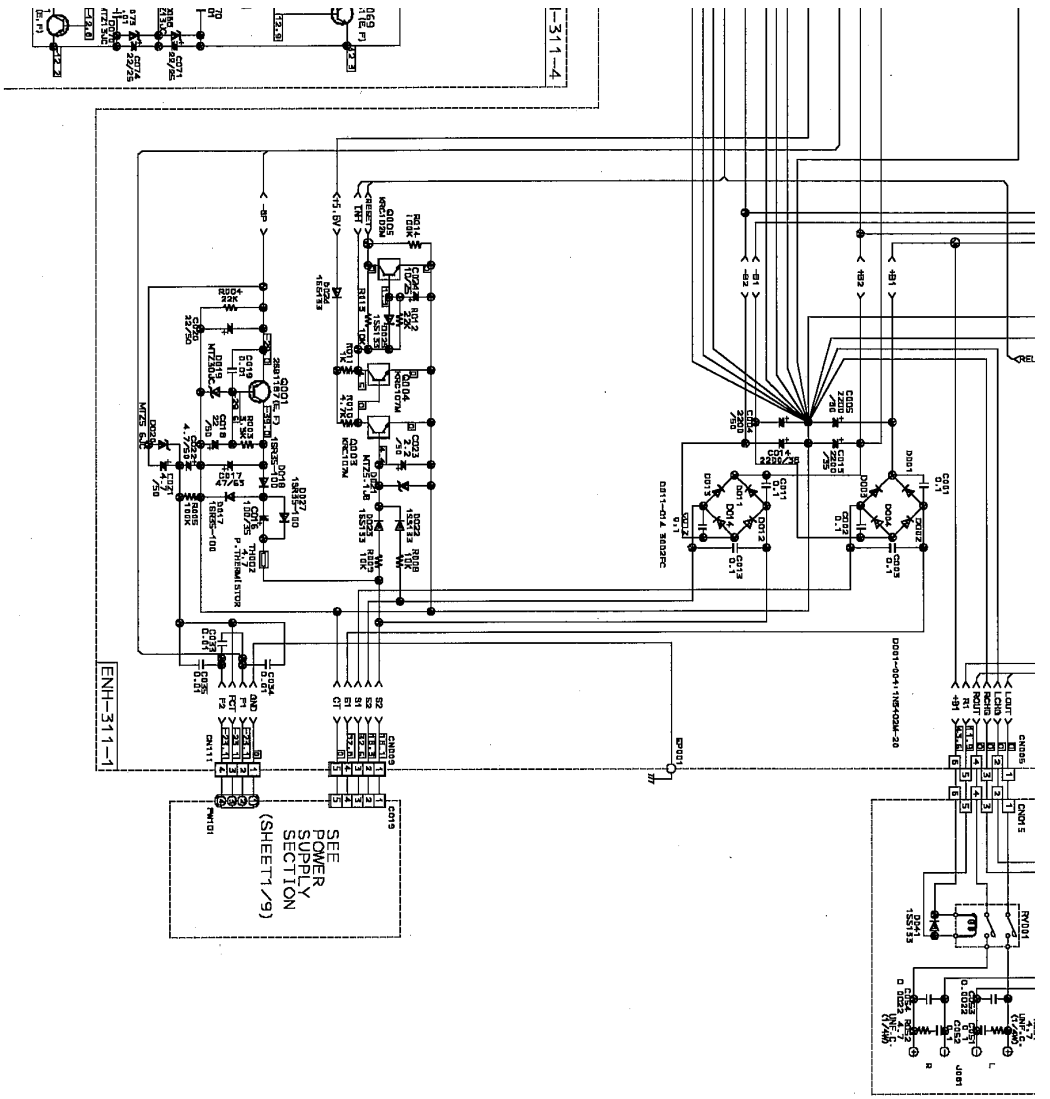


P3-6-c

P3-6-b



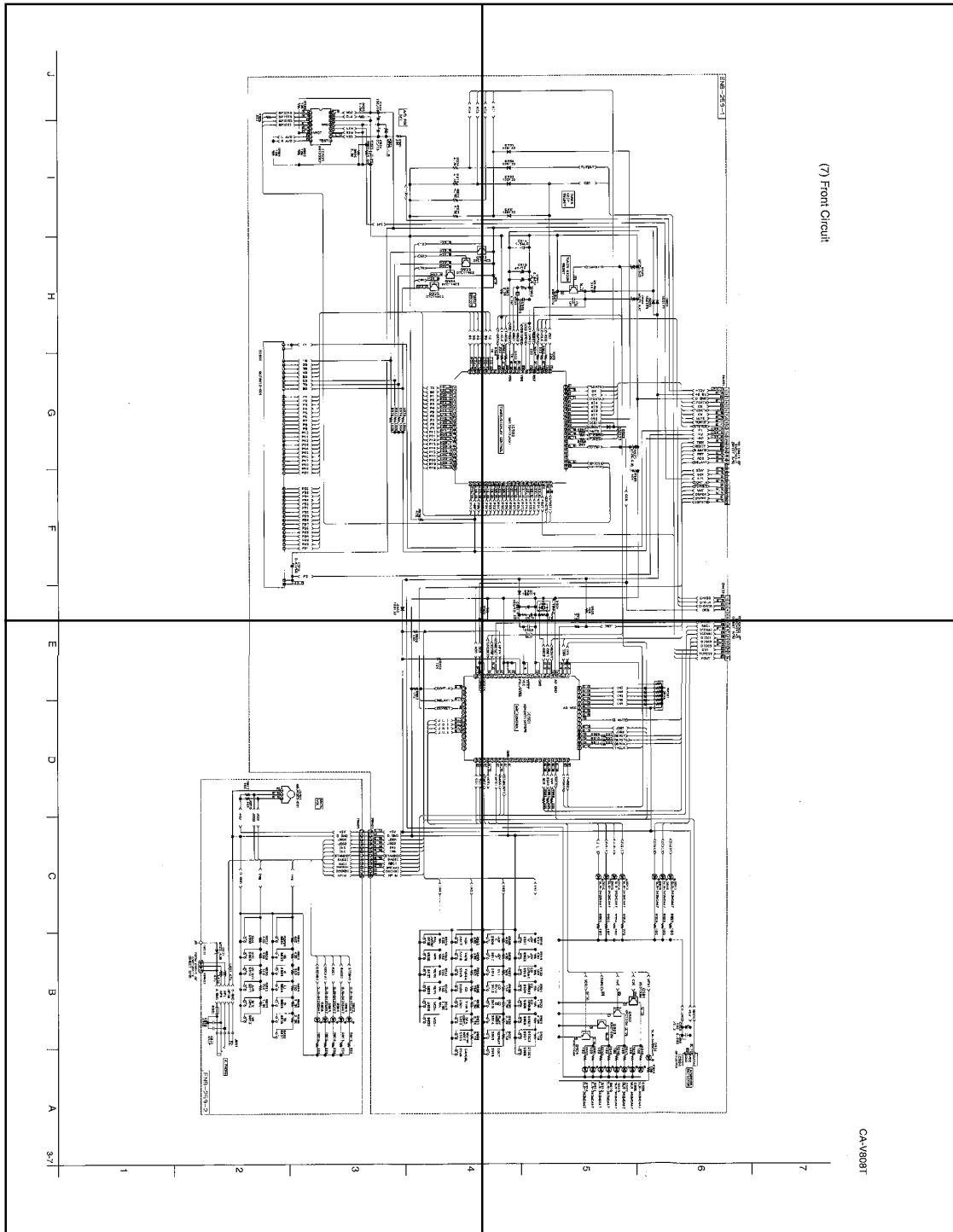
P3-6-d



E F G H I J

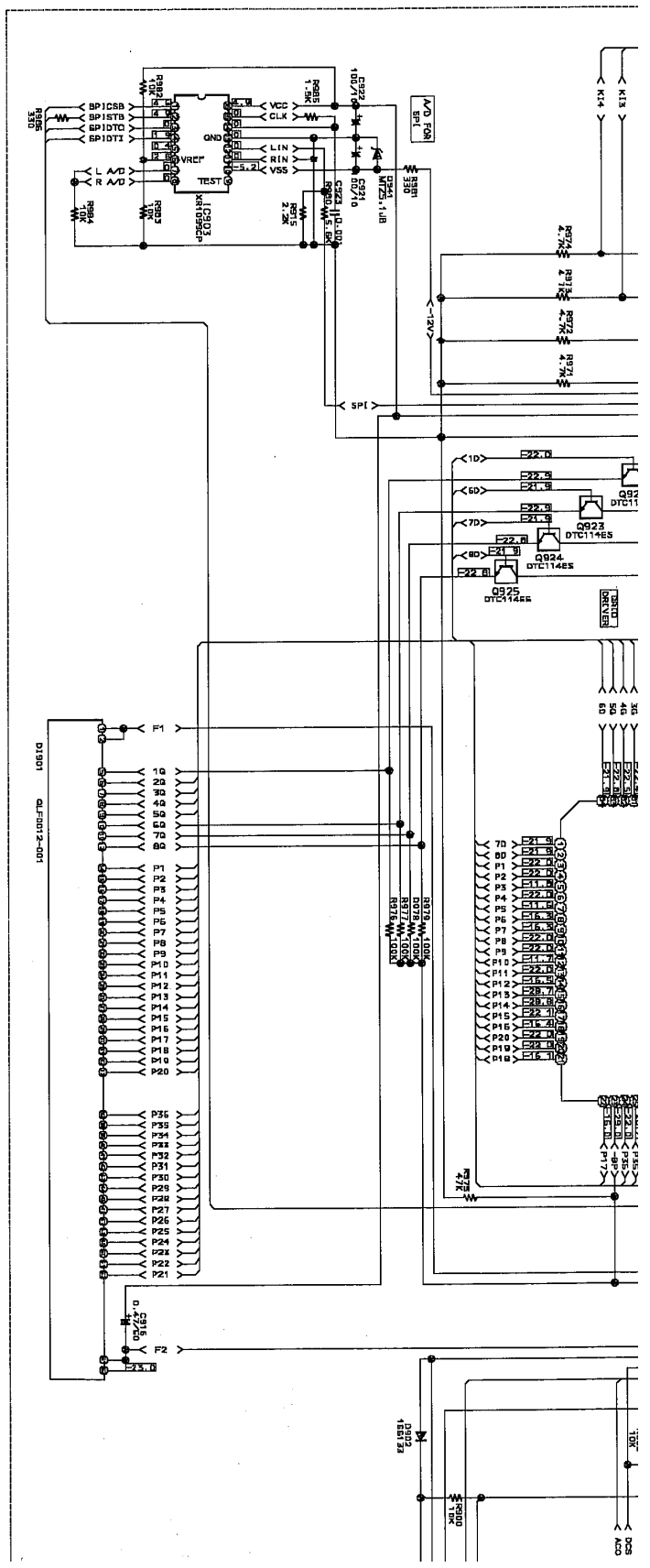
P3-7-a

P3-7-b

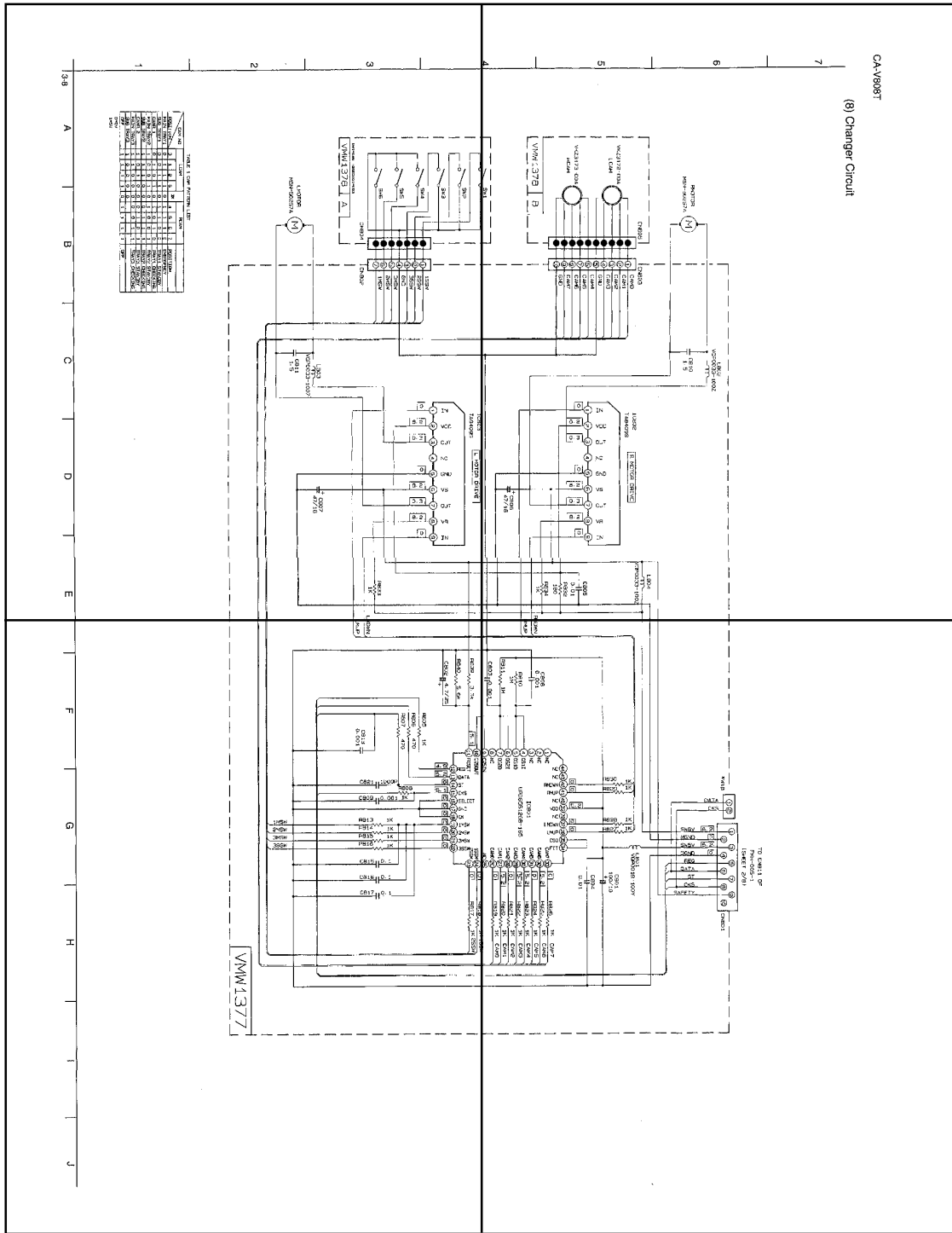


P3-7-c

P3-7-d



J | | | | | H | | | | | G | | | | | F | | | | | E



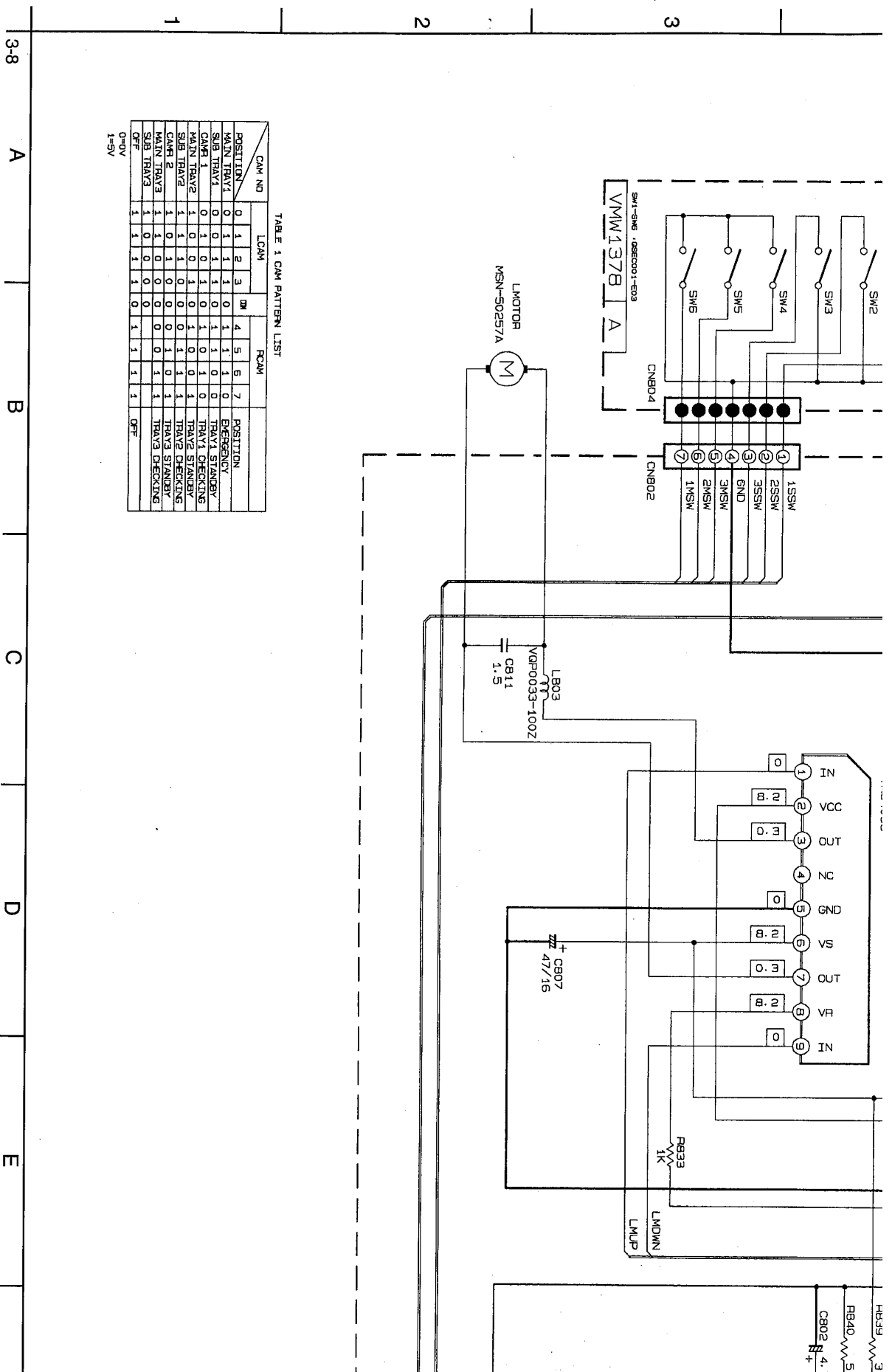


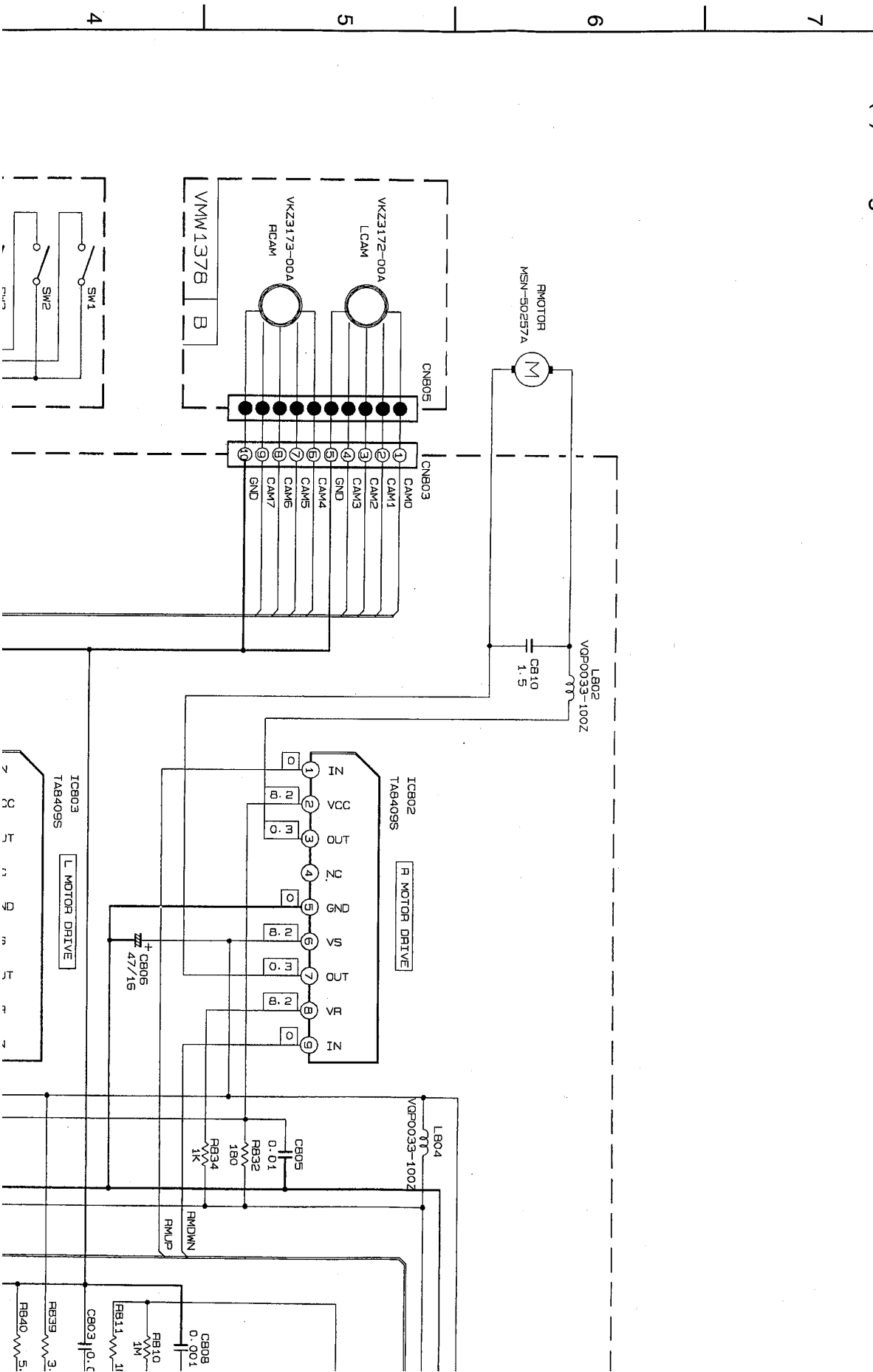
TABLE 1 CAM PATTERN LIST

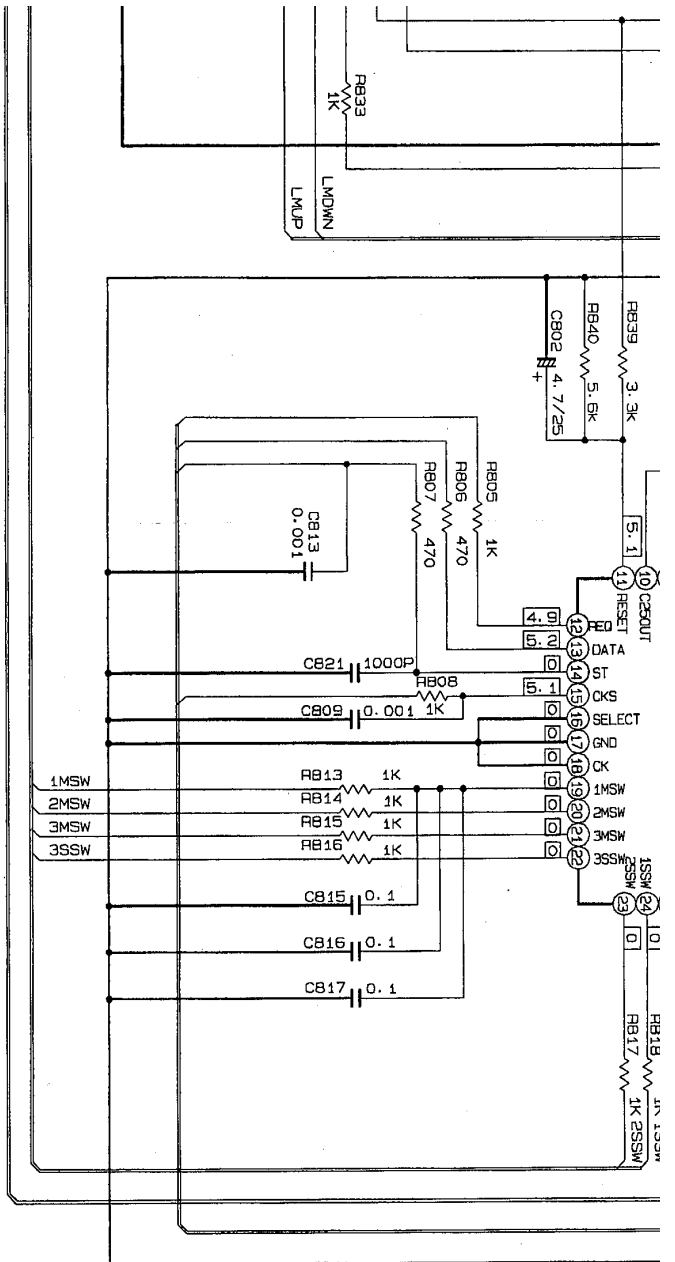
CAM NO	LCAM			RCAM							POSITION
	0	1	2	3	4	5	6	7			
MAIN TRAV1	0	1	1	1	0	1	1	1	0	EMERGENCY	
SUB TRAV1	0	0	1	1	0	1	1	0	0	TRAV1 STANDBY	
CAM1 1	0	1	0	1	0	1	0	1	0	TRAV1 CHECKING	
MAIN TRAV2	1	0	0	1	0	1	0	1	1	TRAV2 STANDBY	
SUB TRAV2	1	1	1	0	0	1	1	1	1	TRAV2 CHECKING	
CAM2 1	1	0	1	0	0	0	0	0	1	TRAV2 STANDBY	
MAIN TRAV3	1	1	0	0	0	0	1	1	1	TRAV3 CHECKING	
SUB TRAV3	1	1	1	1	0	1	1	1	1	OFF	
OFF	1	1	1	1	0	1	1	1	1	OFF	

0=0V
1=5V

3-8 A B C D E

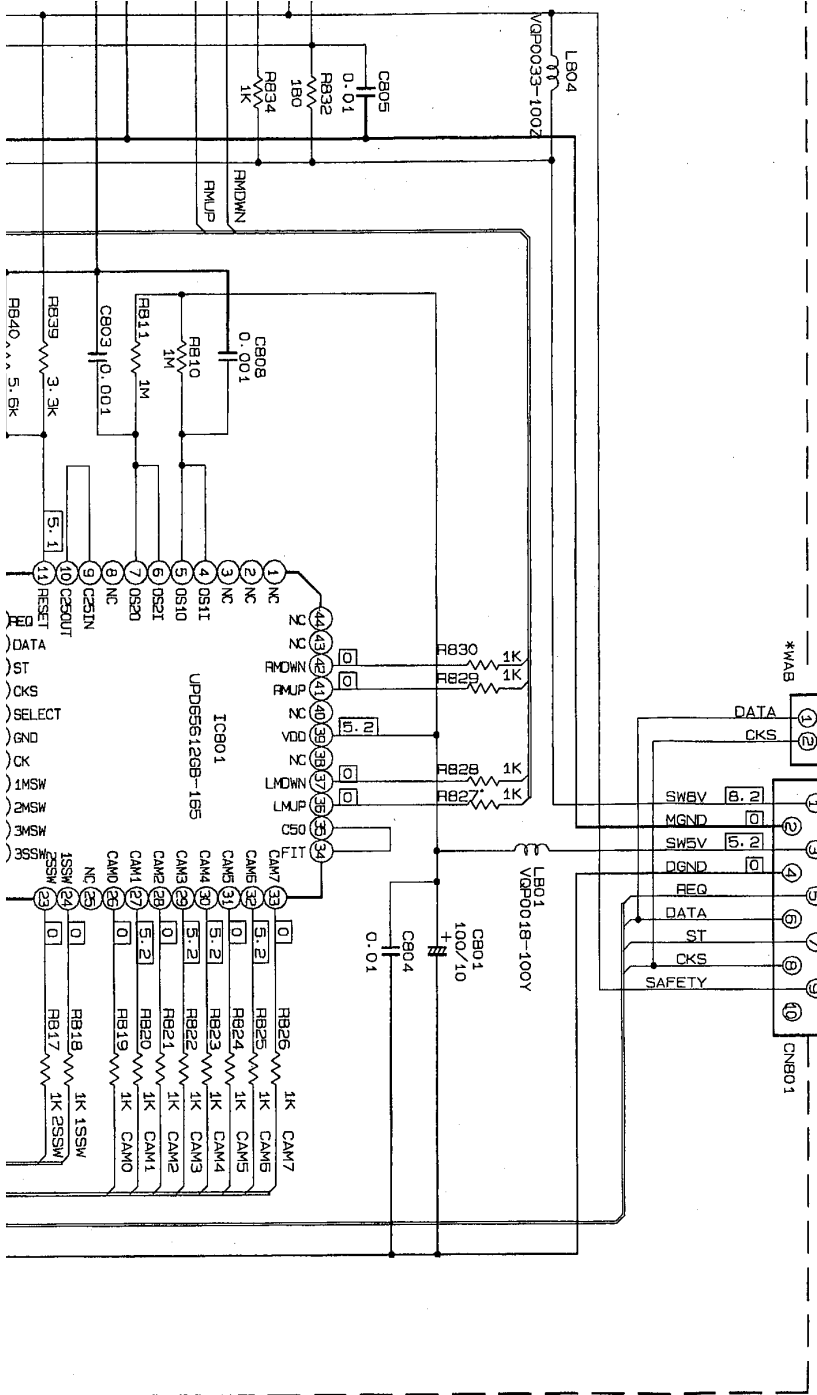
(8) Changer Circuit





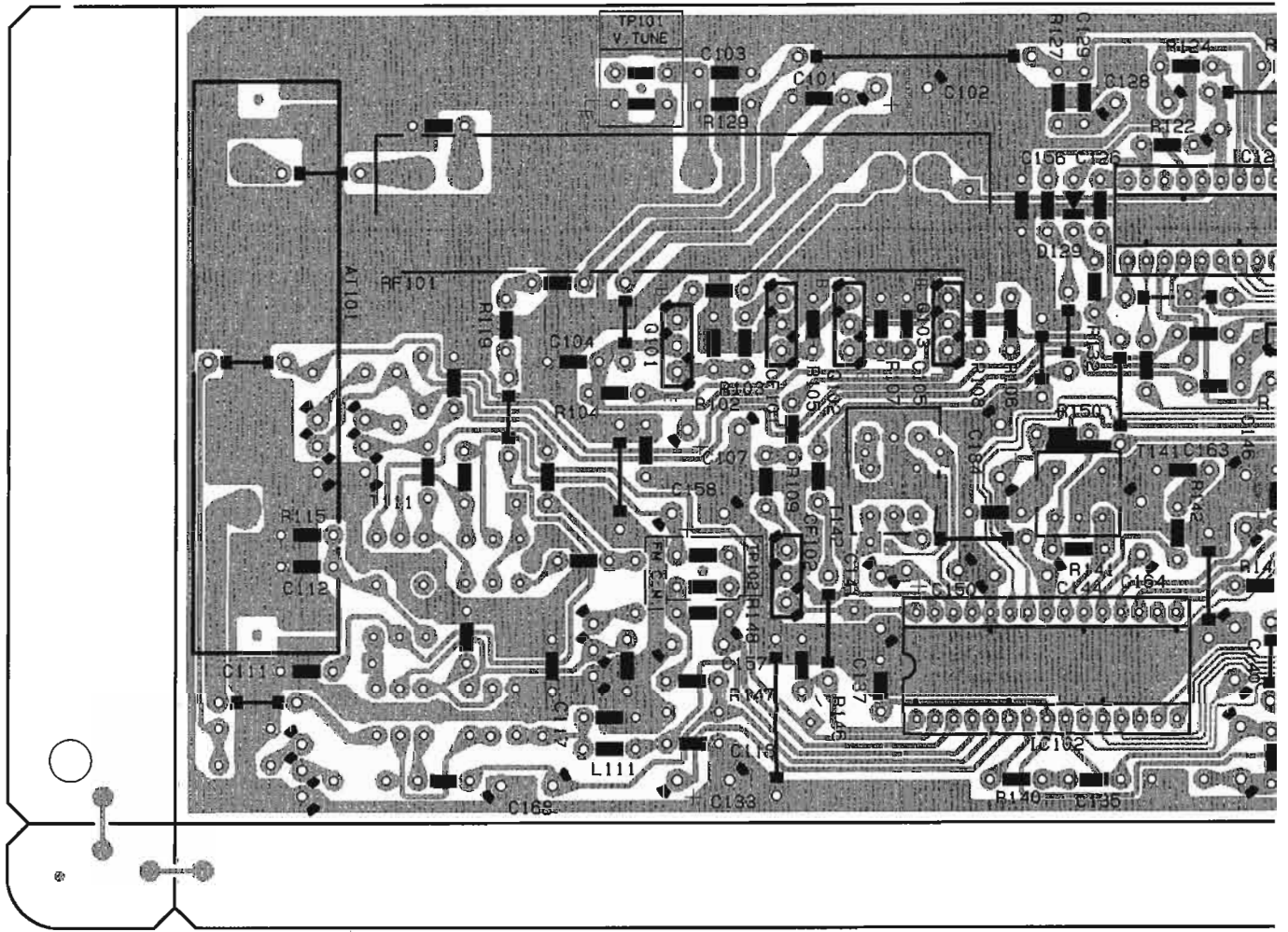
VMW1377

E | F | G | H | I | J

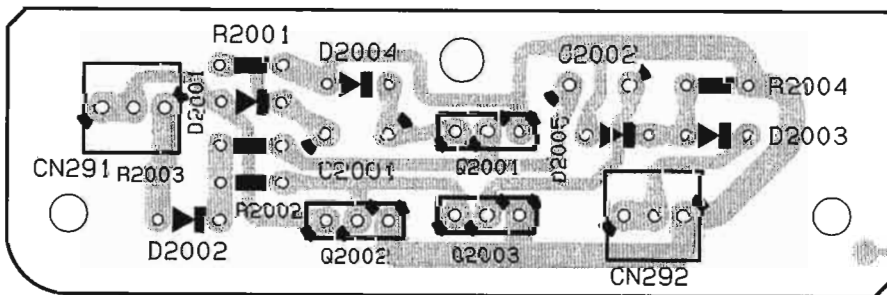


TO DNB11 OF
 FMH-005-1
 (SHEET 2/8)

■ Tuner Board (ENA178) : Block No. 0 1



■ Additional Board (ENA178) : Block No. 0 2

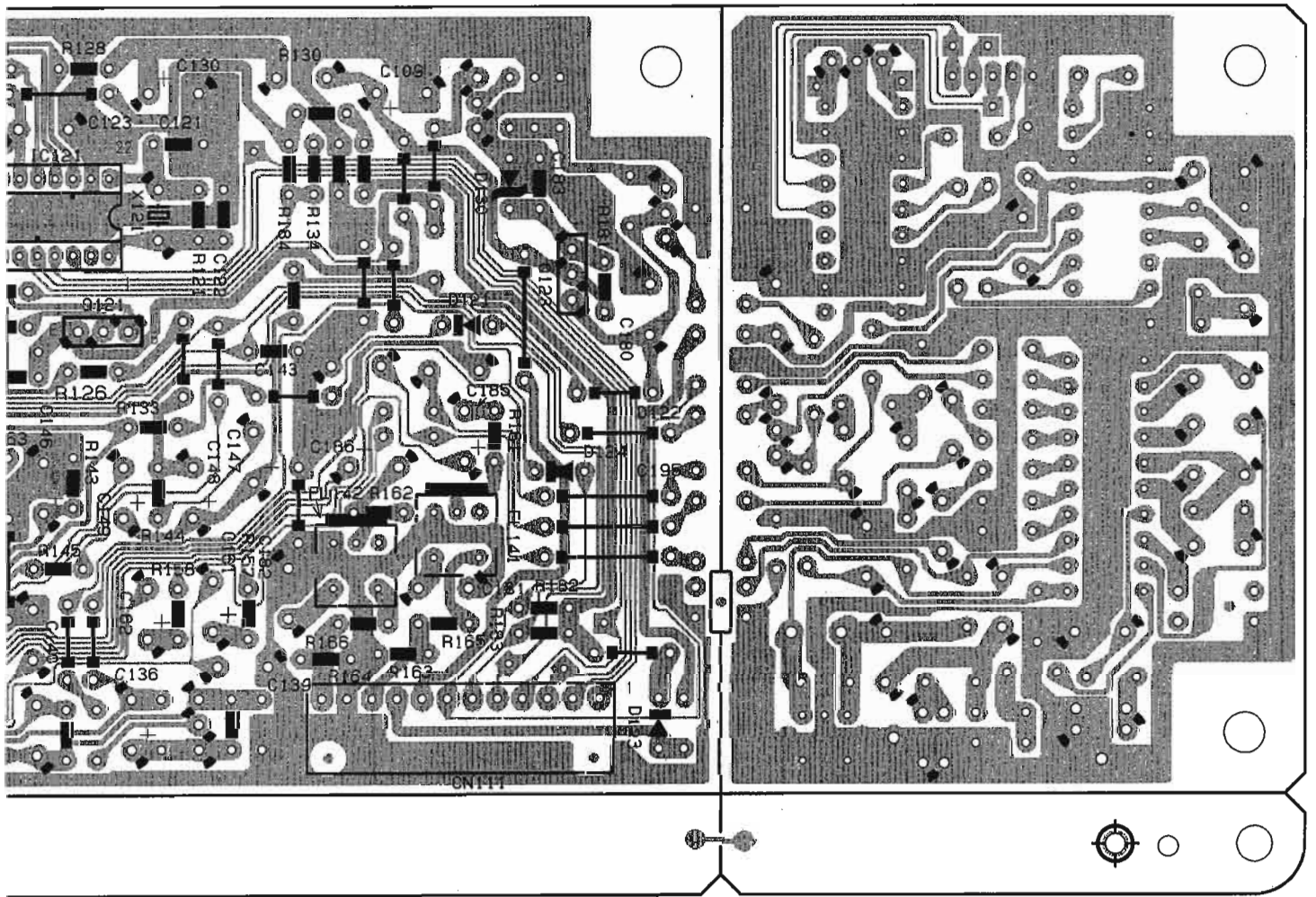


A

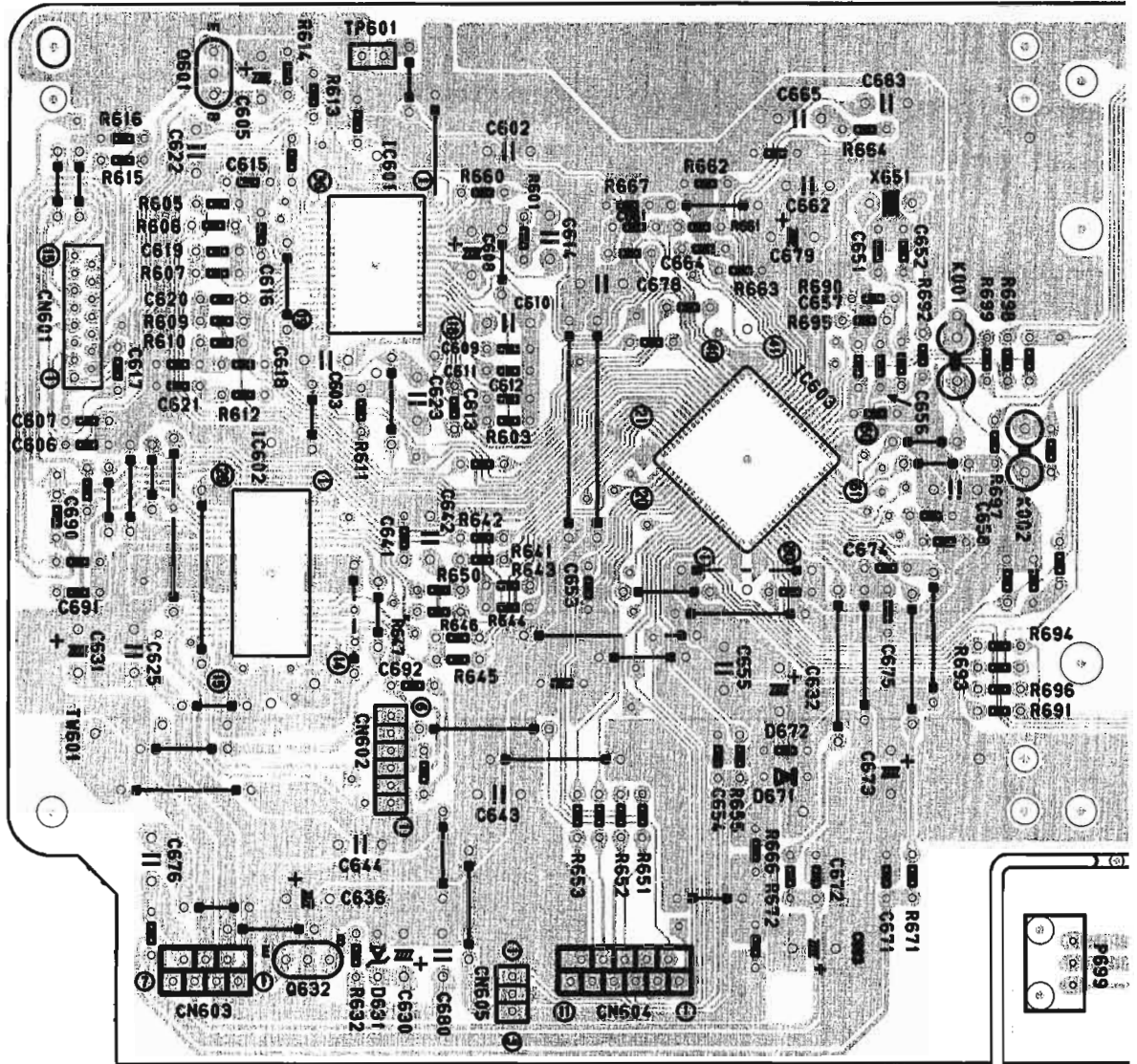
B

C

D



CD Servo Control Board (ENN506) : Block No. 0 7



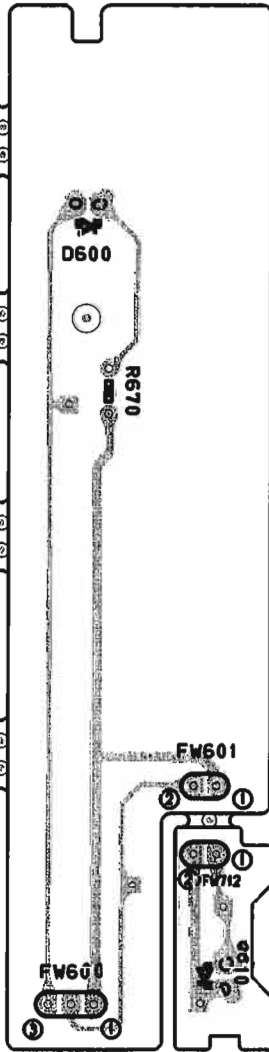
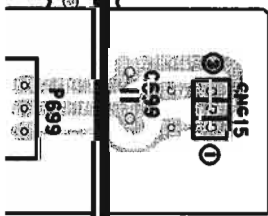
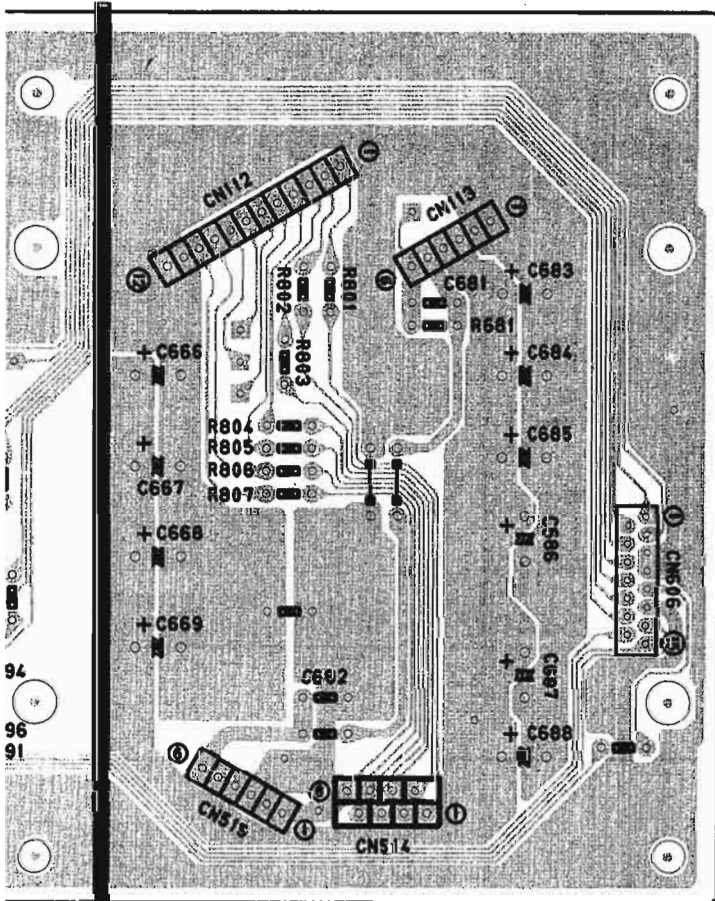
A

B

C

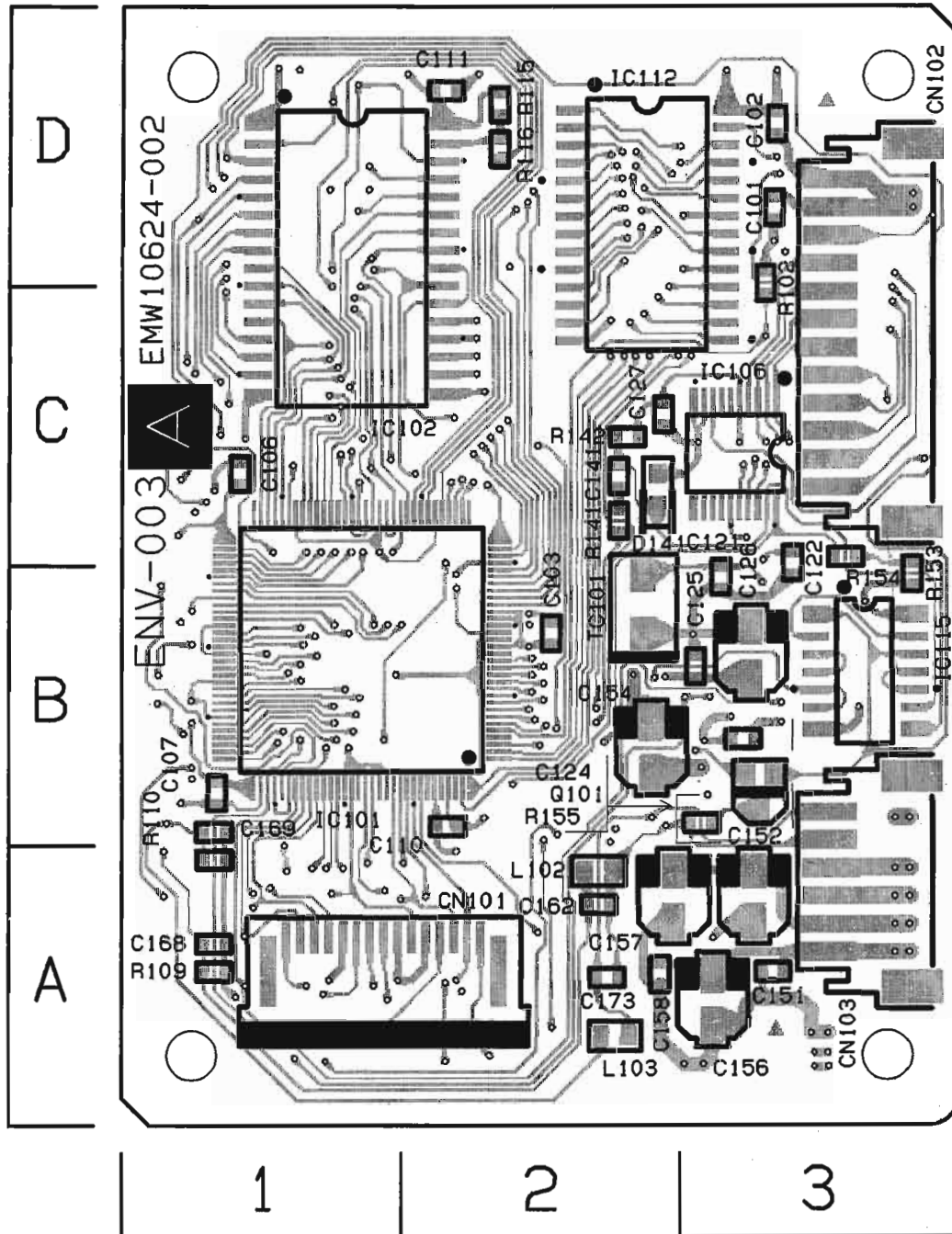
3-10

D

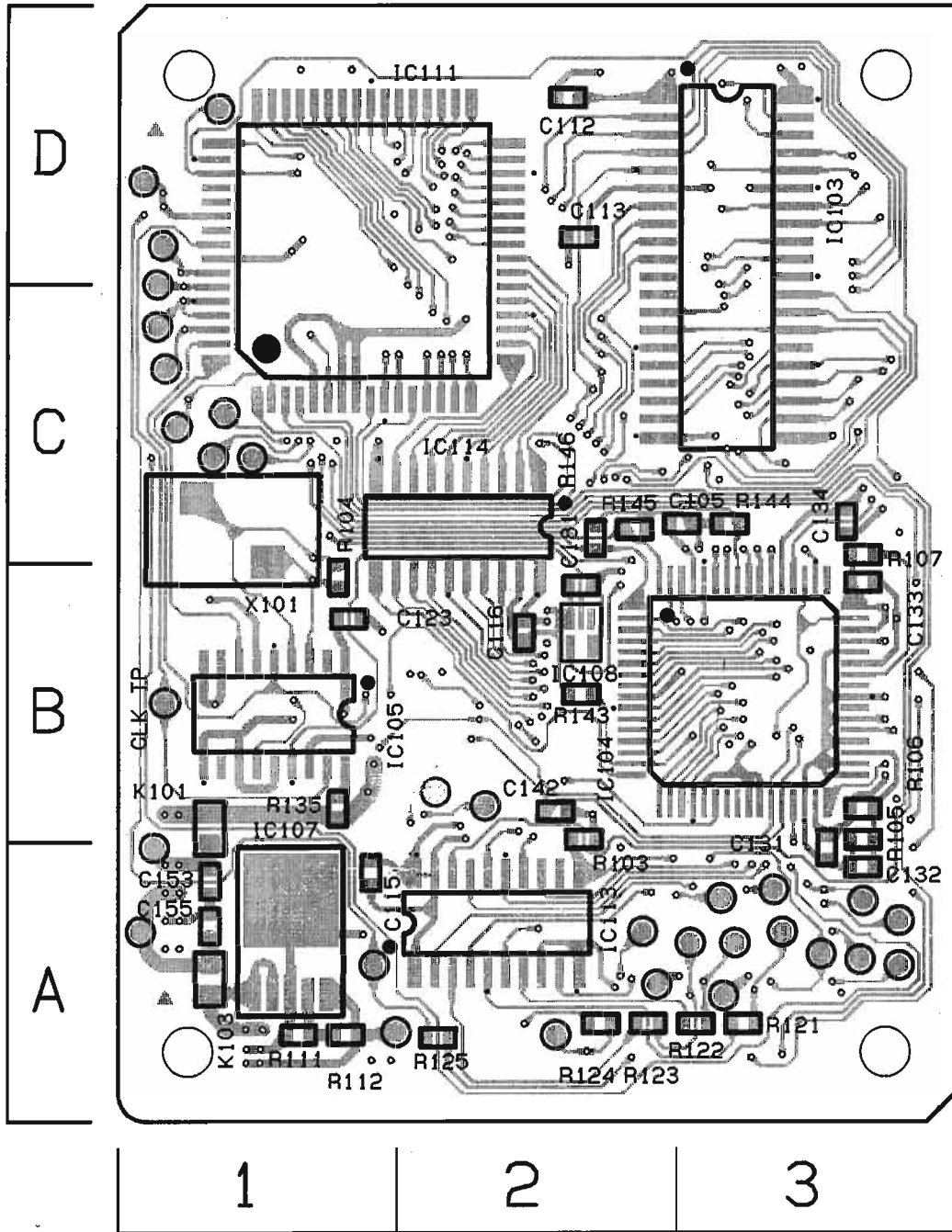


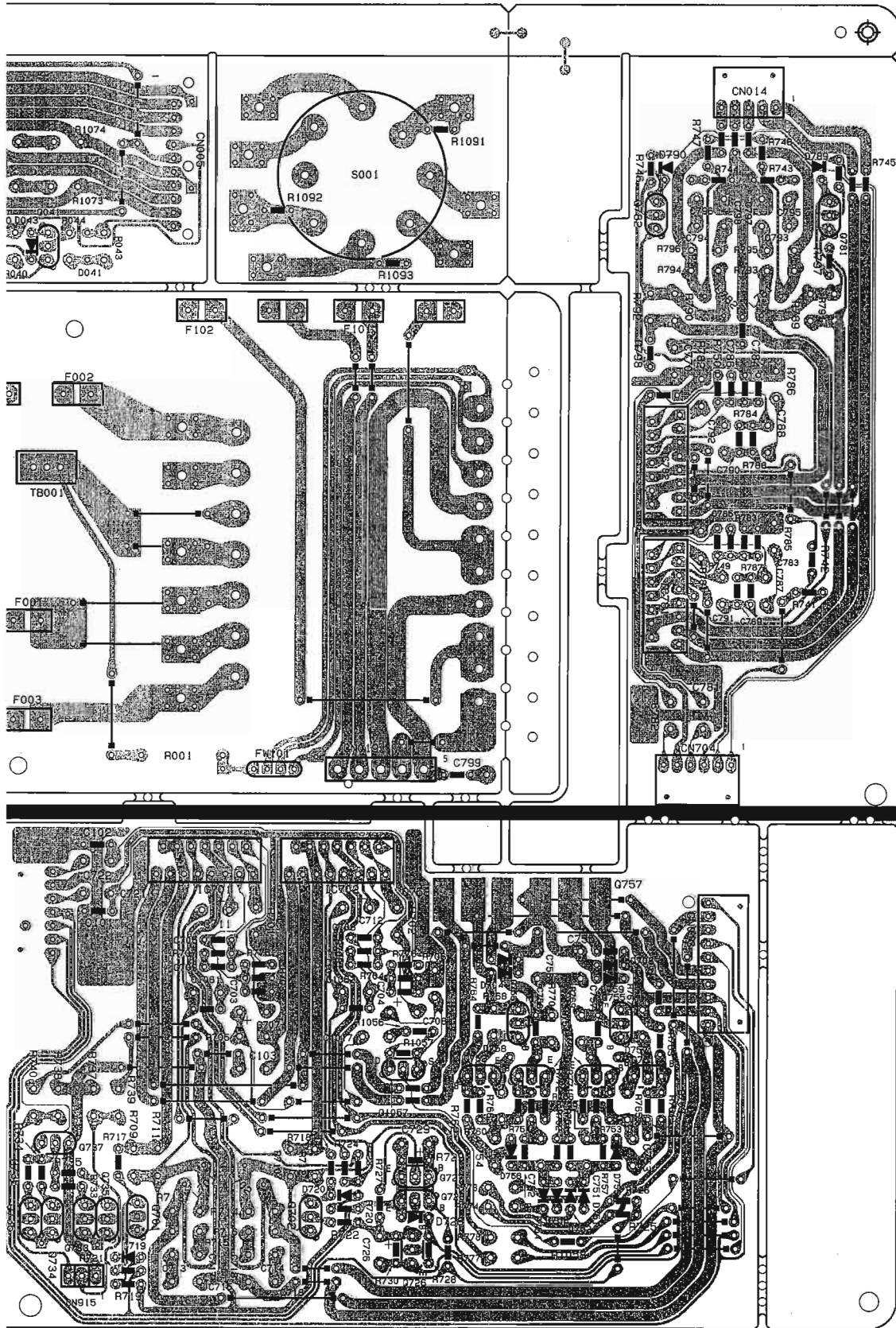
Video CD unit Board : Block No. 0 3

● Front side



● Back side





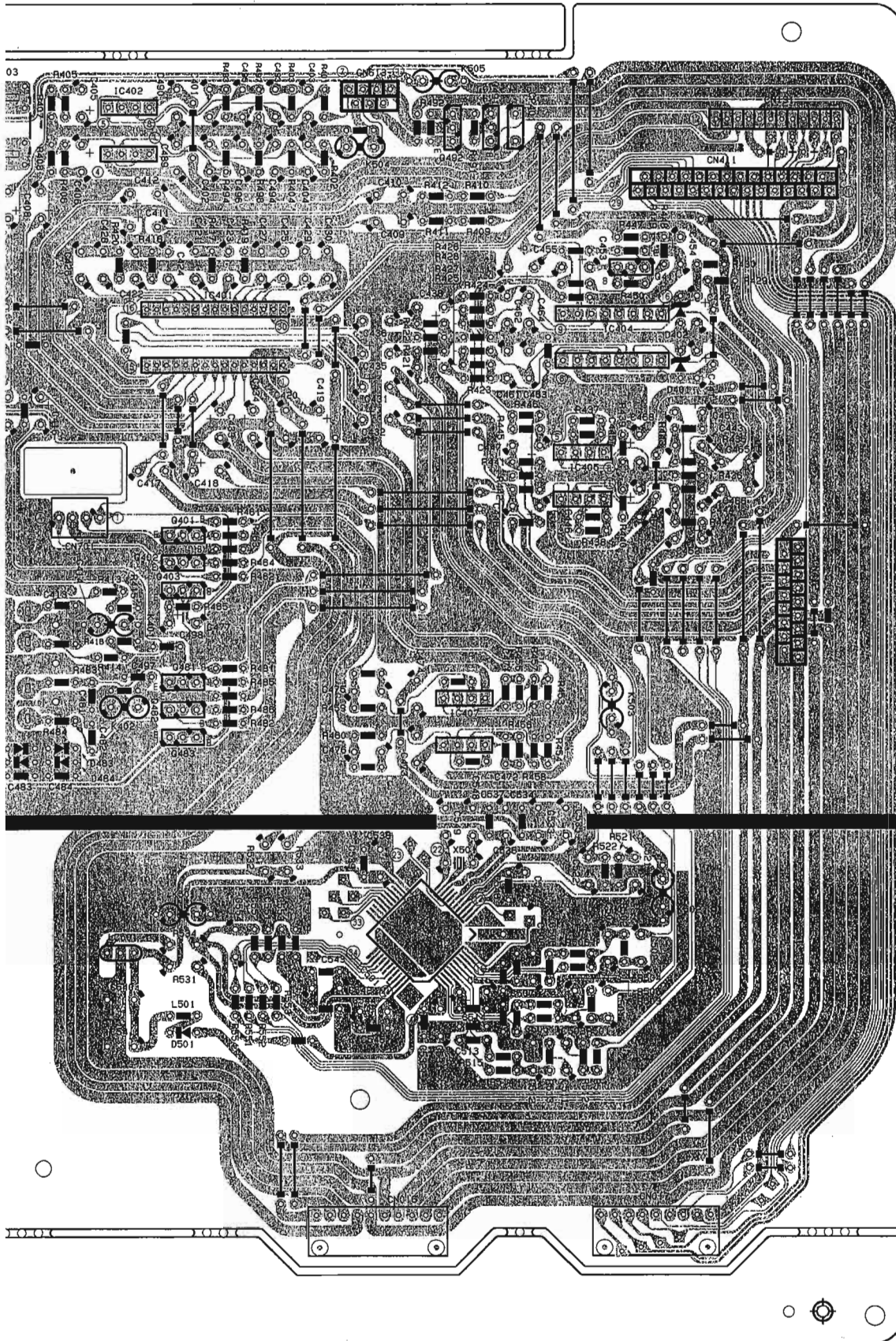
D

E

F

G

H



■ Changer Mechanism Board (VMW1377) : Block No. 0 8

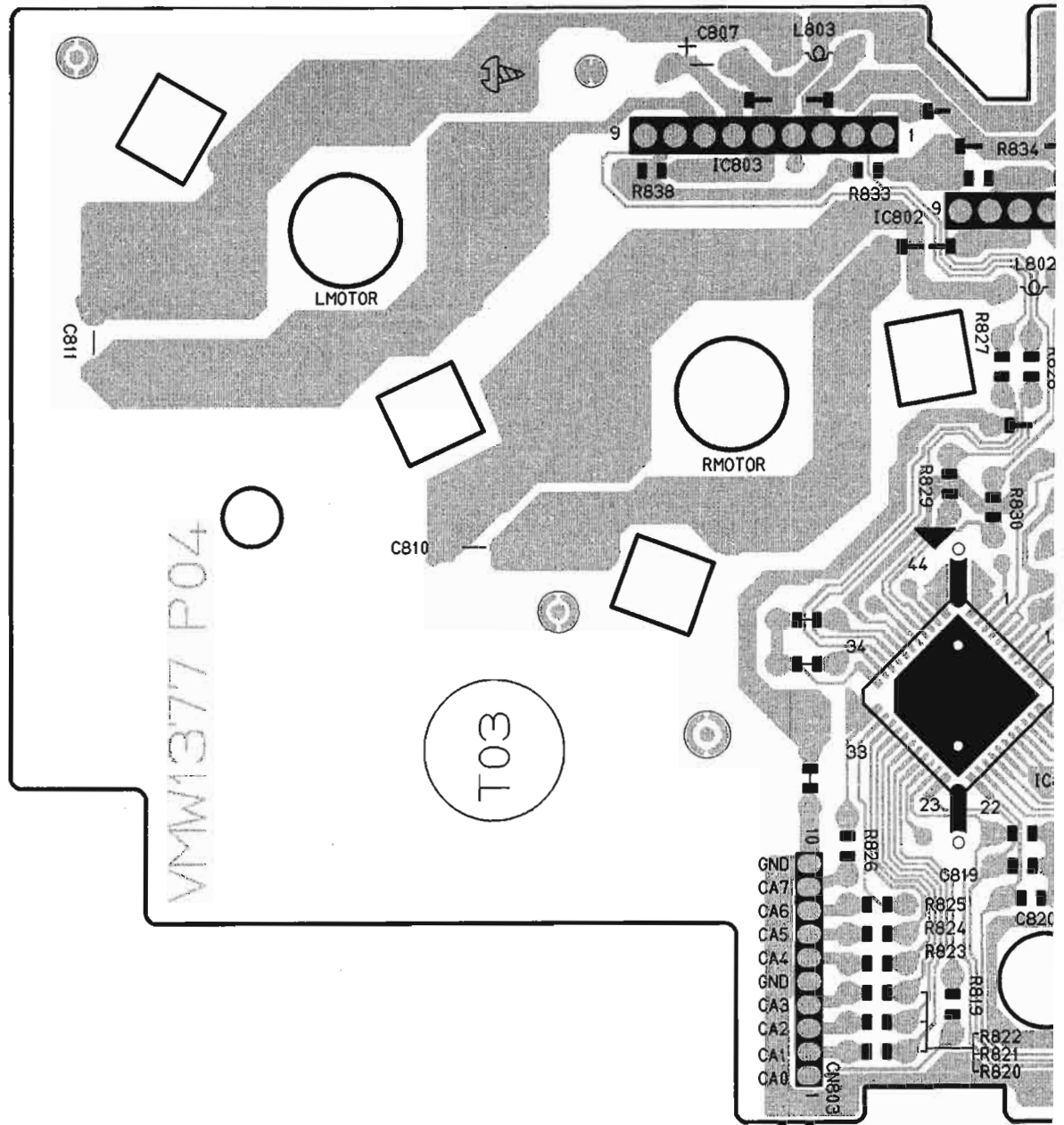
5

4

3

2

1

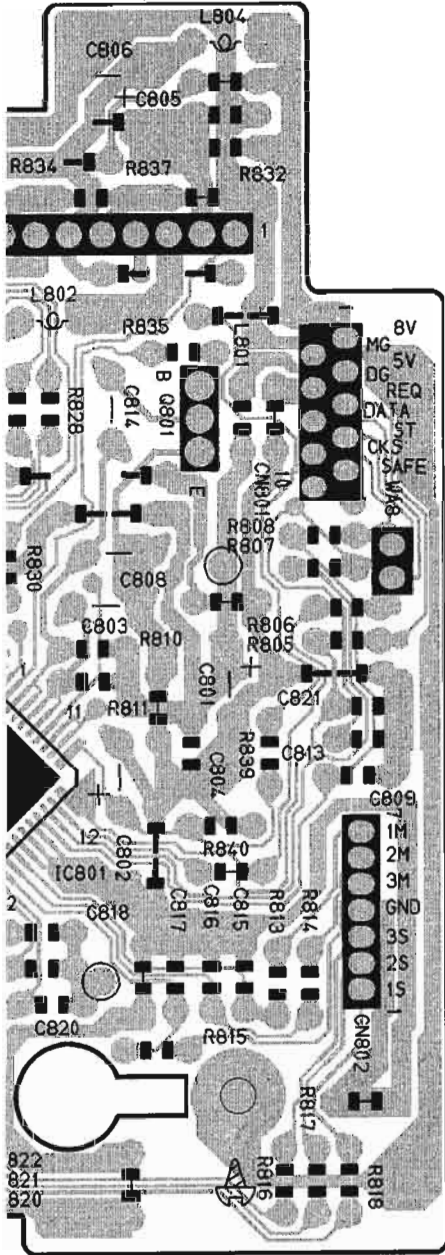


A

B

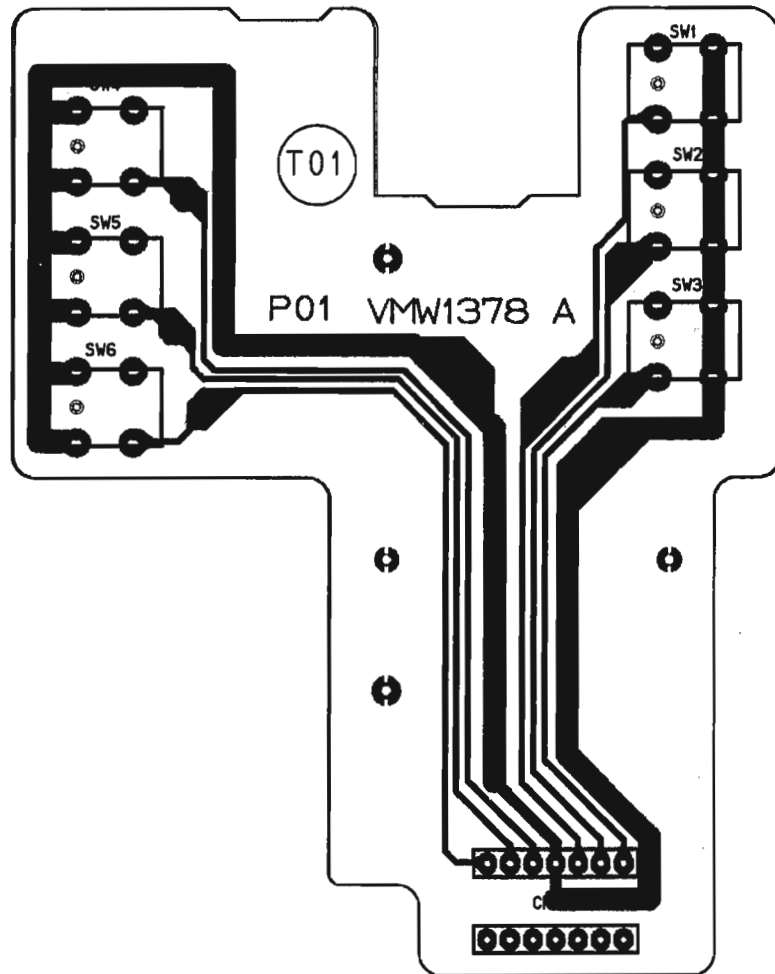
C

D

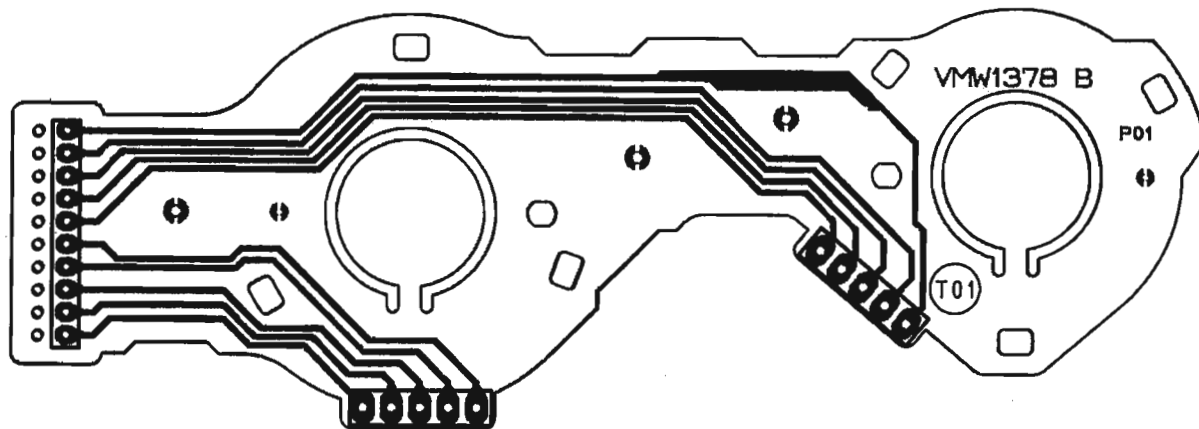


■ CD Traverse Mechanism Board : Block No. 0 9

● CD Tray Select Switch Board




● Cam Switch Board



PARTS LIST

[CA-V808T]

1. Those parts can not to sent as a rule that has not printed or be displayed 「—」 on the parts list.
2. The printed circuit board will be not sent as a rule.
3.  Parts are safety assurance parts. When replacing those parts, make sure to use to specified one.
4. All printed circuit boards and its assemblies are not available as service parts.

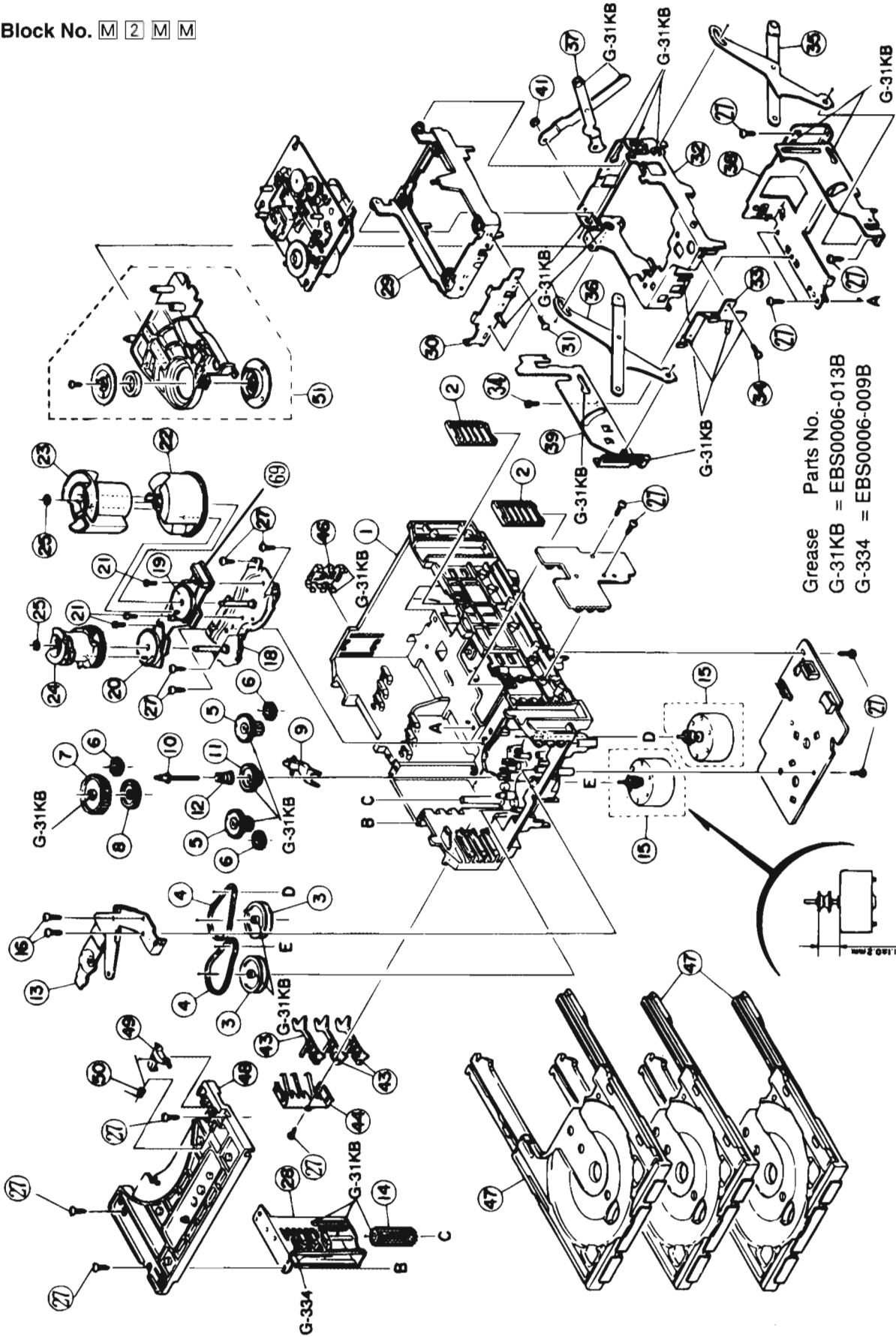
- Contents -

CD Traverse Mechanism Exploded View and Parts List	4-2,3
CD Mechanism Exploded View and Parts List	4-3
General Exploded View and Parts List	4-4,5
Cassette Mechanism Exploded View and Parts List	4-6
Electrical Parts List	4-7-22
Packing Materials and Parts List	4-23,24

CD Traverse Mechanism Exploded View and Parts List

MODEL : C3CN

Block No. **M 2 M M**



Grease Parts No.
G-31KB = EBS0006-013B
G-334 = EBS0006-009B

■ Parts List (Changer Mechanism Ass'y)

Block No. **M2MM**

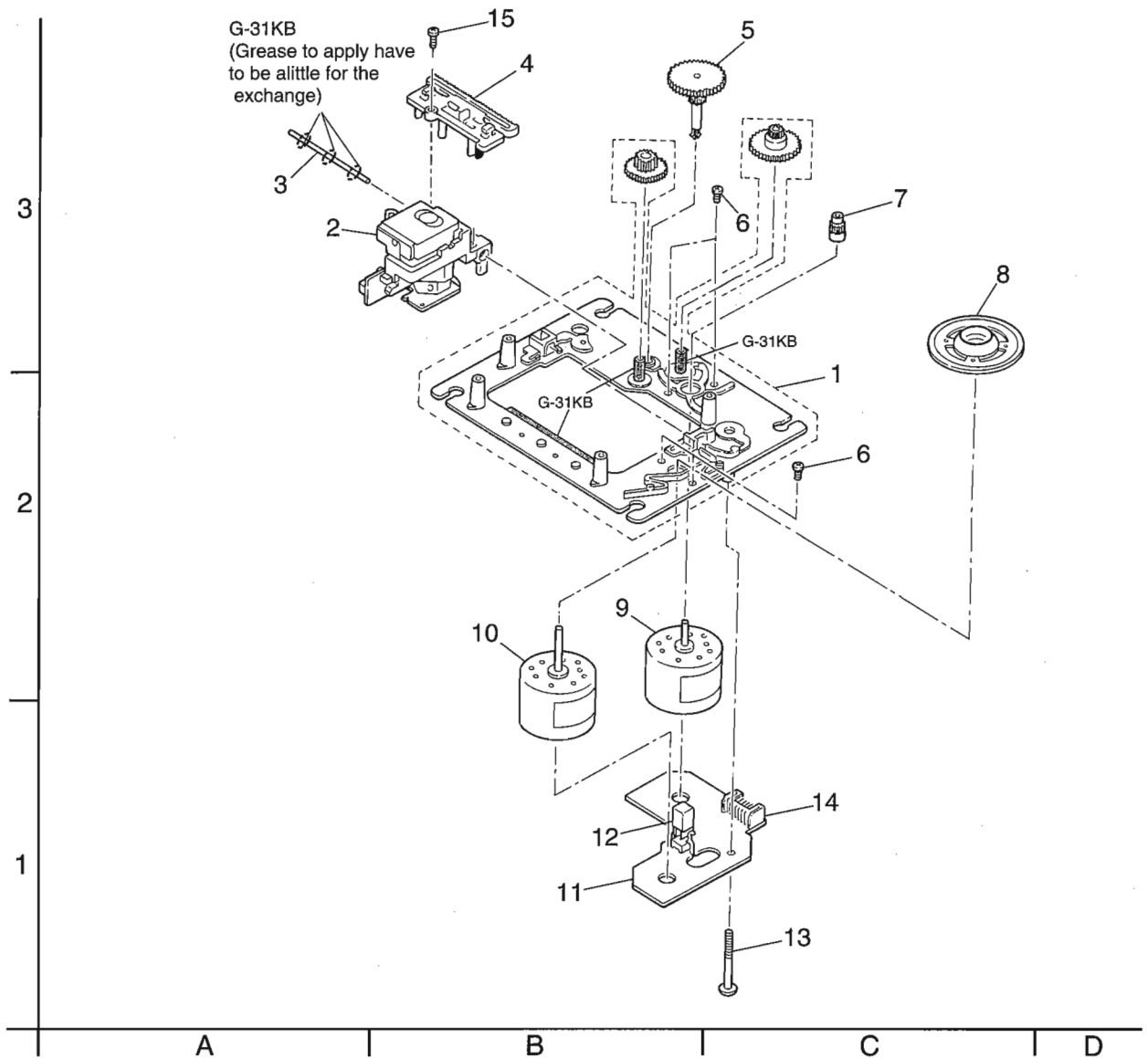
△	Item	Parts Number	Parts Name	Q'ty	Description	Area
	1	VKS1144-003	CHASSIS BASE	1		
	2	VKS3698-003	TRAY GUIDE	2		
	3	VKS5532-003	PULLEY GEAR	2		
	4	VKB3000-164	DRIVE BELT	2		
	5	VKS5505-003	GEAR B	2		
	6	VKS5506-002	GEAR C	3		
	7	VKS5507-002	CROSS GEAR U	1		
	8	VKS5508-002	CROSS GEAR L	1		
	9	VKS5510-003	SELECT LEVER	1		
	10	VKH5769-001	GEAR STUD	1		
	11	VKS5511-002	SELECT GEAR	1		
	12	VKW5155-003	COMPRESS SPRING	1		
	13	VKM3846-002	GEAR BRACKET	1		
	14	VKS5509-002MM	CYLINDER GEAR	1		
	15	MSN5D257A-SA3	DC MOTOR	2		
	16	DPSP2616Z	SCREW	2		
	18	VKM3825-00AMM	CAM GEAR ASSY	1		
	19	VKZ3172-00A	CAM SW. R ASS'Y	1		
	20	VKZ3173-00A	CAM SW. L ASS'Y	1		
	21	SPST2606Z	TAPPING SCREW	3		
	22	VKS2263-002MM	CAM R1	1		
	23	VKS2264-002MM	CAM R2	1		
	24	VKS2265-002MM	CAM GEAR L	1		
	25	WDL316050	SLIT WASHER	2		
	27	SBSF2608Z	TAPPING SCREW	16		
	28	VKS3702-00FMM	DRIVE UNIT	1		
	29	VKS2247-004	MECHA HOLDER A	1		
	30	VKL7767-00B	MECHABRACKET	1		
	31	SBSF2606Z	TAPPING SCREW	2		
	32	VKM3860-00A	MECHA HOLDER ASSY	1		
	33	VKL7802-00C	MECHA HOLDER ASSY	1		
	34	SDST2604Z	SCREW	3		
	35	VKL7810-00A	LIFTER	1		
	36	VKL7811-00A	LIFTER	1		
	37	VKL7812-00A	LIFTER	1		
	38	VKL2732-002	LIFTER BASE	1		
	39	VKM3823-001	LIFTER BRACKET	1		
	41	WDL266035-2	SLIT WASHER	1		
	43	VKS5514-002MM	LOCK LEVER	3		
	44	VKY3133-002MM	RETURN SPRING	1		
	46	VKY3134-003MM	CLICK SPRING	1		
	47	VKS2252-00DMM	TRAY ASS'Y	3		
	48	VKS2250-003	TOP BRACKET	1		
	49	VKS5515-002	S. TRAY STOPPER	1		
	50	VKW5156-004	TORSION SPRING	1		
	51	VKS3703-00FMMKP	CLAMPER ASS'Y	1		
	69	VMC0325-010	CONNECTOR	1		

CD Mechanism Ass'y and Parts List

MODEL:EXL-M6

■ Grease Point

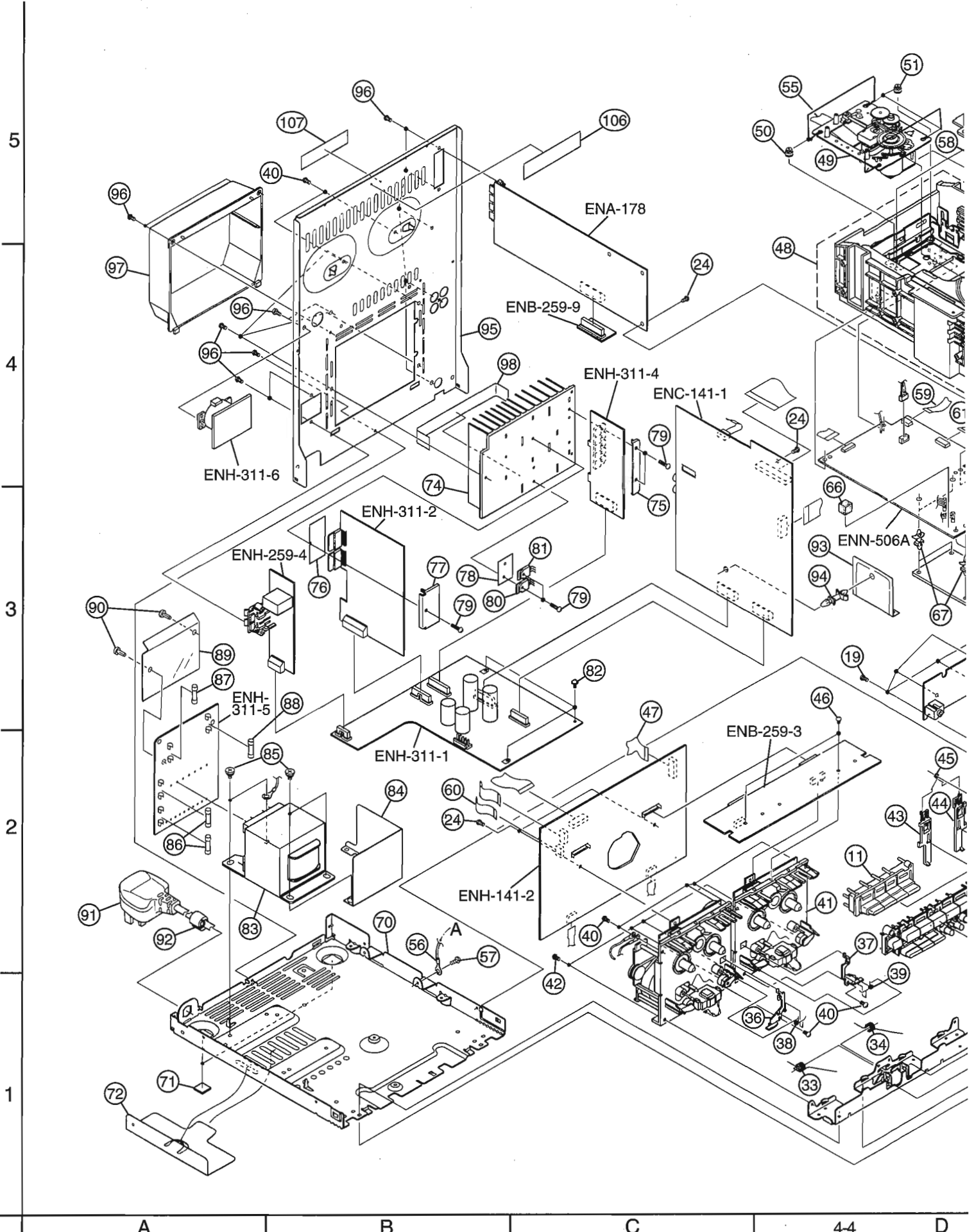
Block No. M 3 M M

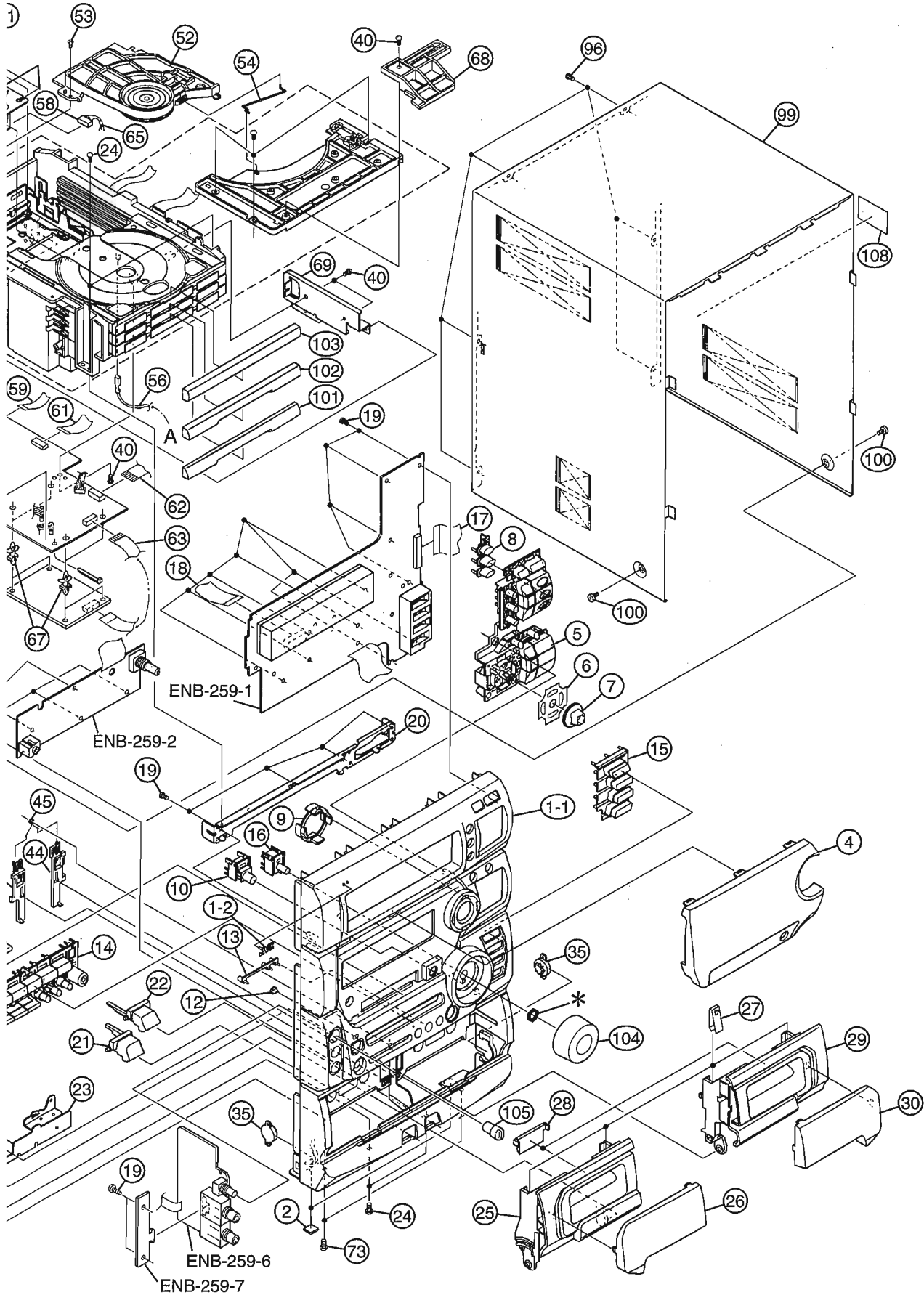


■ CD Mechanism Assembly Parts List

⚠	Item	Parts Number	Parts Name	Q'ty	Description	Area
	1	EPB-002PK	MECHA. BASE ASSY	1		
	2	OPTIMA-150S	OPTICAL PICK UP	1		
	3	E407782-001	CD SHAFT	1		
	4	E307746-001	CD RACK	1		
	5	EPB-003A	MECHA GEAR	1		
	6	SDSP2003N	SCREW	4		
	7	E406750-001	PINION GEAR	1		
	8	EPB309173A	TURN TABLE	1		
	9	E406784-001	FEED MOTOR	1		
	10	E406783-001	SPINDLE MOTOR	1		
	11	EMW10190-001 (S)	P. C. BOARD	1		
	12	ESB1100-005	LEAF SWITCH	1		
	13	E75832-001	SCREW	1		
	14	EMV5109-006B	CONN. TERMINAL	1	6PIN	
	15	SDSF2006Z	SCREW	1		

General Exploded View and Parts List





■Parts List

Block No. **M1M1**

△	Item	Parts Number	Parts Name	Q'ty	Description	Area
	1-1	E103259-005SM	FRONT PANEL	1		
	1-2	E406971-001SM	JVC MARK	1		
	2	E75896-001	SPACER	2		
	4	E209142-005SM	WINDOW SCREEN	1		
	5	E209144-003SM	PUSH BUTTON	1		
	6	LE40283-001A	PROTECT SHEET	1		
	7	E310199-001SM	SELECT KNOB	1		
	8	E310192-001SM	PUSH BUTTON	1		
	9	E310189-003SM	INDICATOR LENS	1		
	10	E310194-001SM	PUSH BUTTON	1		
	11	E310205-002SM	PUSH BUTTON	1		
	12	E409555-001SM	INDICATOR LENS	1		
	13	E310191-001SM	INDICATOR LENS	1		
	14	E209146-006SM	POWER BUTTON	1		
	15	E209149-001SM	PUSH BUTTON	1		
	16	E310190-002SM	PUSH BUTTON	1		
	17	VWF1229-20TTB	FLAT WIRE	1		
	18	VWF1216-13TTB	FLAT WIRE ASSY	1		
	19	SDSF2608Z	SCREW	22		
	20	E310195-001SM	STAY BRACKET	1		
	21	E310196-003SM	EJECT BUTTON	1		
	22	E310197-003SM	EJECT BUTTON	1		
	23	E208588-002SM	HOLDER BRACKET	1		
	24	SBS93008Z	TAPPING SCREW	8		
	25	E103261-006SM	CASSETTE HOLDER	1		
	26	E209151-001SM	CASSETTE LENS	1		
	27	E406713-001	CASSETE SPRING	4		
	28	E310204-001SM	INDICATOR LENS	2		
	29	E103263-004SM	CASSETTE HOLDER	1		
	30	E209152-001SM	CASSETTE LENS	1		
	33	LE40300-001A	HOLDER SPRING	1		
	34	LE40286-001A	HOLDER SPRING	1		
	35	VYH7779-00B	DAMPER	2		
	36	E309477-222	EJECT STOPPER	1		
	37	E309478-222	EJECT STOPPER	1		
	38	E407801-002	SPRING	1		
	39	E407802-002	SPRING	1		
	40	SBSF3008Z	TAPPING SCREW	12		
	41	-----	CASSETTE MECHA ASSY	1	PF	
	42	SBST3006Z	TAPPING SCREW	4		
	43	E309479-001SS	EJECT LEVER	1		
	44	E309480-001SS	EJECT LEVER	1		
	45	E408742-001SS	SPRING	1		
	46	SBST2604Z	SCREW	2		
	47	VWF1217-10TTB	FLAT WIRE	1		
	48	-----	C3 CHANGER MECHA ASSY	1		
	49	-----	CD MECHA ASSY	1		
	50	FMYH4003-001	INSULATOR	2		
	51	FMYH4003-002	INSULATOR	2		
	52	VKS3703-00FMMKP	CLAMPER ASSY	1		
	53	SPST2606Z	TAPPING SCREW	1		
	54	VKW5187-001	ROD	1		
	55	QUQ110-1509AJ	FLAT WIRE	1		
	56	EW102-052	FASTEN WIRE	1		

Parts List

Block No. **M11M1**

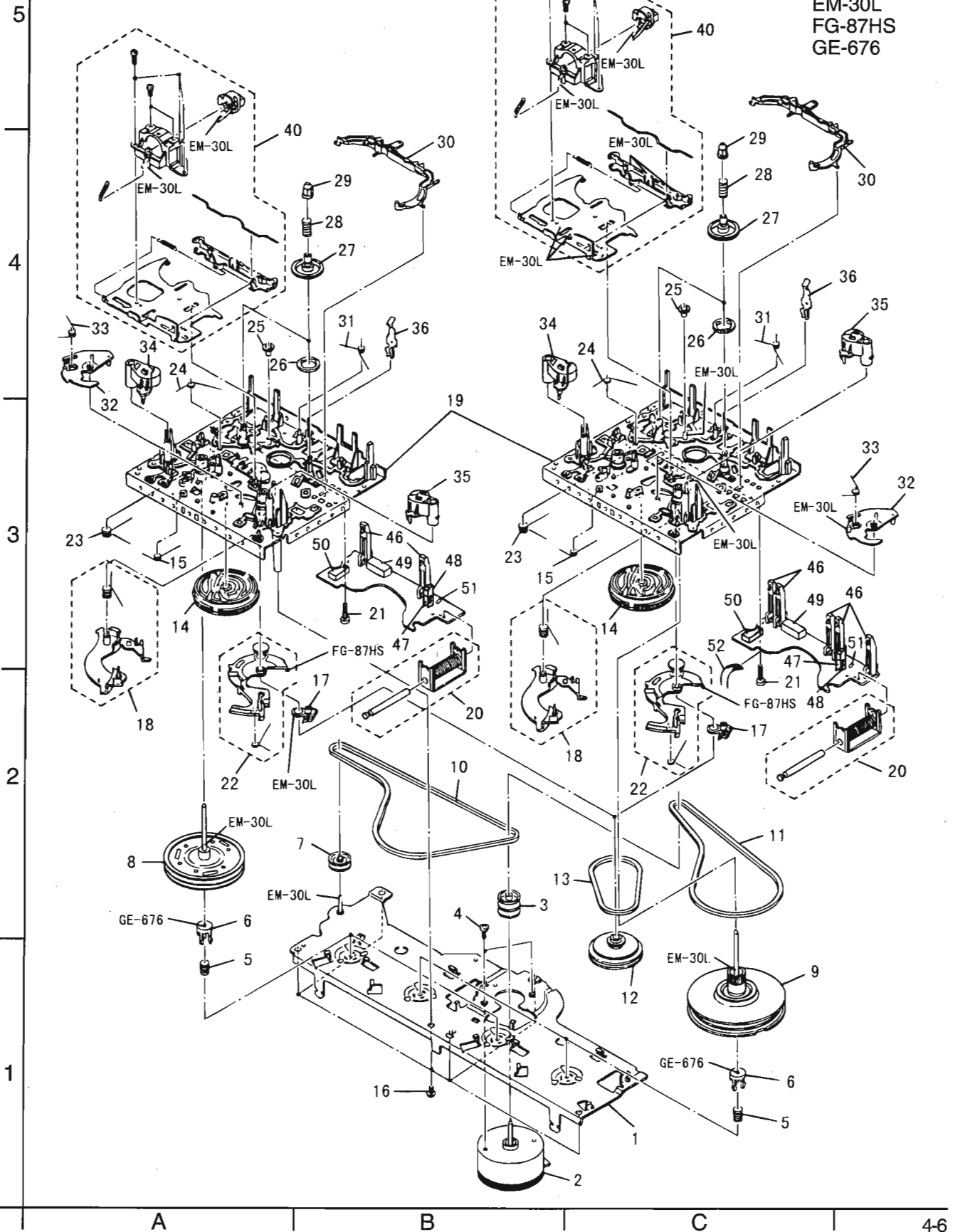
△	Item	Parts Number	Parts Name	Q'ty	Description	Area
	57	SBSG3006Z	TAPPING SCREW	1		
	58	VDM1001-M001A	SOCKET WIRE ASSY	1		
	59	VWF1207-07TTB	FLAT WIRE	1		
	60	VWF1210-27TTB	FLAT WIRE ASSY	1		
	61	VWF1211-22TTB	FLAT WIRE ASSY	1		
	62	VWF1212-25TTB	FLAT WIRE	1		
	63	VWF1015-09TTAV	FLAT WIRE	1		
	65	VYSA1R2-033	SPACER	1		
	66	E306805-175	SPACER	1		
	67	E307552-001	FASTENER	4		
	68	E309662-001	DISK STOPPER	1		
	69	E310198-001SM	P. W. BOARD BRACKET	1		
	70	E102616-230SM	CHASSIS BASE	1		
	71	E75896-006	FELT SPACER	2		
	72	E310075-001	PROTECTOR COVER	1		
	73	SBST3008Z	TAPPING SCREW	2		
	74	E309789-001SM	HEAT SINK	1		
	75	E406969-002SM	SIDE BRACKET	1		
	76	FMPK4003-001	MICA SHEET	1		
	77	FMKL4007-001	HEAT SINK BRACKET	1		
	78	FMPK4004-001	MICA SHEET	1		
	79	SBSG3014CC	SCREW	5		
	80	2SC4467/OPY/-F1	SI. TRANSISTOR	1	Q757	
	81	2SA1694/OPY/-F1	SI. TRANSISTOR	1	Q758	
	82	GBSG3008CC	TAPPING SCREW	3		
△	83	QGT0156-003	POWER TRANSFORMER	1		
	84	E409015-001SM	SHIELD PLATE	1		
	85	E65389-002	SPECIAL SCREW	4		
△	86	QMF51E2-3R15-J1	FUSE	2	F101, F102	
△	87	QMF51E2-2R5-J1	FUSE	1	F002	
△	88	QMF51E2-1R25-J1	FUSE	1	F003	
	89	LE40252-201A	PROTECT SHEET	1		
	90	E310243-002	PLASTIC RIVET	2		
△	91	QMPR100-200-JG	POWER CORD	1		UF
△		QMP39E0-200	POWER CORD	1		US
△		QMP5530-0085BS	POWER CORD	1		UB
△		QMP7520-200	POWER CORD	1		U UT
	92	QHS3876-162	CORD STOPPER	1		
	93	LV30048-001A	SHIELD PLATE AS	1		
	94	E307552-001	FASTENER	1		
	95	E103265-013SM	REAR PANEL	1		
	96	E73273-003	SPECIAL SCREW	21		
	97	E207356-001SM	REAR COVER	1		
	98	EX0150010H09S11	FELT SPACER	1		
	99	E103267-004 (S)	METAL COVER	1		
	100	SDSG3006M	TAPPING SCREW	2		
	101	E209153-002SM	FITTING	1		
	102	E209155-001SM	GD FITTING	1		
	103	E209157-002SM	FITTING	1		
	104	E310080-226SM	VOLUME KNOB	1		
	105	E408765-003SM	VOLUME KNOB	1		
	106	E406709-001	CAUTION LABEL	1		
	107	LE40210-001A	CAUTION LABEL	1		UT
	108	LE30003-028A	RATING LABEL	1		UT

Cassette Mechanism Exploded View and Parts List

MODEL : NEXT-W2M

Block No. M 4 M M

Grease point
EM-30L
FG-87HS
GE-676



■ Parts List (Cassette Mechanism Ass'y)

Block No. **MM4MM**

△	Item	Parts Number	Parts Name	Q'ty	Description	Area
	1	VKM3835-00A	FLYWHEEL BRACKET	1		
	2	MMI-6H2LWK	DC MOTOR	1		
	3	VKR4746-001	MOTOR PULLEY	1		
	4	SPSP2603Z	WOOD SCREW	2		
	5	VKW5177-002	SPRING	4		
	6	VKS5524-001	THRUST GUIDE	4		
	7	VKR4747-001	IDLER PULLEY	1		
	8	VKF3202-00A	F. WHEEL (L) ASSY	2		
	9	VKF3200-00A	F. WHEEL (R) ASSY	2		
	10	VKB3000-161	CAPSTAN BELT	1		
	11	VKB3000-162	CAPSTAN BELT	1		
	12	VKS5523-00C	MAIN PULLY ASSY	2		
	13	VKB3000-167	REEL BELT	2		
	14	VKS1150-002	CONTROL CAM	2		
	15	VKW5170-002	SPRING	2		
	16	SBSF2608Z	TAPPING SCREW	6		
	17	VKS3719-002	RING	2		
	18	VKS5525-00B	TRIGGER ARM ASSY	2		
	19	VKS1151-00A	CHASSIS BASE ASSY	2		
	20	VKZ3174-00AKP	SOLENOID ASSY	2		
	21	SDST2612Z	SCREW	2		
	22	VKS3714-00B	F. F./REW. ARM	2		
	23	VKW5173-001	SPRING	2		
	24	VKW5202-002	SPRING	2		
	25	VKS5519-002	IDLER GEAR	2		
	26	VKZ4690-002	MAGNET	2		
	27	VKS3707-002	REEL GEAR	4		
	28	VKW5162-002	SPRING	4		
	29	VKS3708-002	REEL CAP	4		
	30	VKS2261-002	REEL STOPPER	2		
	31	VKW5178-001	BRAKE SPRING	2		
	32	VKS2255-001	DIRECTION LEVER	2		
	33	VKW5163-001	SPRING	2		
	34	VKP4232-00A	PINCH ROLLER	2		
	35	VKP4231-00B	PINCH ROLLER	2		
	36	VKY4670-001	CASSETTE SPRING	2		
	40	VKM3834-00A	HEAD MOUNT ASSY	1	A Mecha.	
		VKM3832-00F	HEAD MOUNT ASSY	1	B Mecha.	
	46	MXS00220MVLO	CASSETTE SWITCH	7		
	47	DN6851-HI	I. C (M)	2		
	48	VKS3630-001MM	I. C. PROTECTOR	2		
	49	QGB1214K1-08S	CONNECT TERMINAL	1	A Mecha.	
		VMC0314-P14	CONNECT TERMINAL	1	B Mecha.	
	50	QSEC001-E03	LEVER SWITCH	2		
	51	1SR139-400	SI DIODE	2		
	52	EWR34D-09C5	FLAT WIRE ASSY	1		

■ Electrical Parts List (ENA-178 Tuner P.C.B.)

△	Item	Parts Number	Description	Area
		I. C. S		
	IC102	LA1837	I. C (MONO-ANALOG)	
	IC121	LC72131	I. C (M)	
		DIODES		
	D121	1SS133-T2	SI. DIODE	
	D123	1SS133-T2	SI. DIODE	
	D129	1SS133-T2	SI. DIODE	
	D130	MTZ10JC	ZENER	
		TRANSISTORS		
	Q101	2SC461	SILICON	
	Q102	2SC535	SILICON	
	Q103	2SC461	SILICON	
	Q121	DTA124ES-T	SILICON	
	Q123	2SC2060 (Q, R)	SILICON	
		CAPACITORS		
	C101	QDYB1CM-103Y	0.01MF 16V C CAP.	
	C102	QETC1EM-107Z	100MF 25V AL E. CAP.	
	C103	QDVB1EZ-223Y	0.022MF 25V C CAP I M	
	C104	QDVB1EZ-223Y	0.022MF 25V C CAP I M	
	C105	QDVB1EZ-223Y	0.022MF 25V C CAP I M	
	C107	QETC1EM-226ZM	22MF 25V E. CAP.	
	C109	QETC1EM-226ZM	22MF 25V E. CAP.	
	C111	QDVB1EZ-223Y	0.022MF 25V C CAP I M	
	C112	QDCB1HJ-120Y	12PF 50V C CAP.	
	C117	QCSB1HK-5R6Y	5.6PF 50V CER. CAP.	
	C118	QCSB1HJ-150Y	15PF 50V CER. CAP.	
	C121	QDCB1HJ-180Y	18PF 50V C. CAP.	
	C122	QDCB1HJ-180Y	18PF 50V C. CAP.	
	C123	QDX31EM-473Z	0.047MF 25V C CAP.	
	C126	QCSB1HK-101Y	100PF 50V CER. CAP.	
	C128	QENB1HM-474	0.47MF 50V NP E. CAP.	
	C129	QCSB1HK-102	1000PF 50V CER. CAP.	
	C130	QETC1EM-107Z	100MF 25V AL E. CAP.	
	C133	QETC1EM-226ZM	22MF 25V E. CAP.	
	C134	QCSB1HK-331Y	330PF 50V CER. CAP.	
	C135	QDVB1EZ-223Y	0.022MF 25V C CAP I M	
	C136	QETN1HM-105Z	1MF 50V AL E. CAP.	
	C137	QCSB1HK-561Y	560PF 50V CER. CAP.	
	C139	QFLB1HJ-223	0.022MF 50V MYLAR CAP.	
	C140	QFLB1HJ-223	0.022MF 50V MYLAR CAP.	
	C141	QDX31EM-473Z	0.047MF 25V C CAP.	
	C143	QDVB1EZ-223Y	0.022MF 25V C CAP I M	
	C144	QDX31EM-473Z	0.047MF 25V C CAP.	
	C146	QETN1HM-105Z	1MF 50V AL E. CAP.	
	C147	QETN1HM-105Z	1MF 50V AL E. CAP.	
	C148	QETN1HM-474Z	0.47MF 50V AL E. CAP.	
	C149	QETN1HM-105Z	1MF 50V AL E. CAP.	
	C150	QETC1EM-226ZM	22MF 25V E. CAP.	
	C156	QDVB1EZ-223Y	0.022MF 25V C CAP I M	
	C157	QDX31EM-473Z	0.047MF 25V C CAP.	
	C158	QETC1EM-226ZM	22MF 25V E. CAP.	
	C161	QETN1HM-105Z	1MF 50V AL E. CAP.	
	C162	QETN1HM-105Z	1MF 50V AL E. CAP.	
	C163	QDVB1EZ-223Y	0.022MF 25V C CAP I M	
	C164	QDX31EM-473Z	0.047MF 25V C CAP.	
	C168	QFVJ1HJ-274Z	0.27MF 50V T. FILM	
	C180	QETC1EM-107Z	100MF 25V AL E. CAP.	
	C181	QFLB1HJ-562	5600PF 50V MYLAR CAP.	
	C182	QFLB1HJ-562	5600PF 50V MYLAR CAP.	
	C183	QDVB1EZ-223Y	0.022MF 25V C CAP I M	
	C184	QETC1EM-107Z	100MF 25V AL E. CAP.	
	C185	QETN1HM-105Z	1MF 50V AL E. CAP.	
	C186	QETN1HM-105Z	1MF 50V AL E. CAP.	
		RESISTORS		
	R102	QRE141J-332Y	3.3K 1/4W R. NETWORK	
	R103	QRE141J-221Y	220 1/4W R. NETWORK	

△	Item	Parts Number	Description	Area
	R104	QRE141J-272Y	2.7K 1/4W R. NETWORK	
	R105	QRE141J-391Y	390 1/4W R. NETWORK	
	R106	QRE141J-102Y	1K 1/4W R. NETWORK	
	R107	QRE141J-561Y	560 1/4W R. NETWORK	
	R108	QRE141J-332Y	3.3K 1/4W R. NETWORK	
	R109	QRE141J-221Y	220 1/4W R. NETWORK	
	R115	QRE141J-104Y	100K 1/4W R. NETWORK	
	R119	QRE141J-103Y	10K 1/4W R. NETWORK	
	R121	QRE141J-473Y	47K 1/4W R. NETWORK	
	R122	QRE141J-472Y	4.7K 1/4W R. NETWORK	
	R124	QRE141J-222Y	2.2K 1/4W R. NETWORK	
	R126	QRE141J-562Y	5.6K 1/4W R. NETWORK	
	R127	QRE141J-822Y	8.2K 1/4W R. NETWORK	
	R128	QRE141J-472Y	4.7K 1/4W R. NETWORK	
	R129	QRE141J-222Y	2.2K 1/4W R. NETWORK	
	R130	QRZ9005-680X	68 FUSIBLE	
	R132	QRE141J-102Y	1K 1/4W R. NETWORK	
	R133	QRE141J-822Y	8.2K 1/4W R. NETWORK	
	R134	QRE141J-102Y	1K 1/4W R. NETWORK	
	R140	QRE141J-183Y	18K 1/4W R. NETWORK	
	R141	QRE141J-472Y	4.7K 1/4W R. NETWORK	
	R142	QRE141J-470Y	47 1/4W R. NETWORK	
	R143	QRE141J-562Y	5.6K 1/4W R. NETWORK	
	R144	QRE141J-332Y	3.3K 1/4W R. NETWORK	
	R145	QRE141J-103Y	10K 1/4W R. NETWORK	
	R146	QRE141J-332Y	3.3K 1/4W R. NETWORK	
	R147	QRE141J-273Y	27K 1/4W R. NETWORK	
	R148	QRE141J-561Y	560 1/4W R. NETWORK	
	R150	QRE141J-101Y	100 1/4W R. NETWORK	
	R157	QRE141J-682Y	6.8K 1/4W R. NETWORK	
	R158	QRE141J-682Y	6.8K 1/4W R. NETWORK	
	R161	QRE141J-102Y	1K 1/4W R. NETWORK	
	R162	QRE141J-102Y	1K 1/4W R. NETWORK	
	R163	QRE141J-472Y	4.7K 1/4W R. NETWORK	
	R164	QRE141J-472Y	4.7K 1/4W R. NETWORK	
	R181	QRE141J-102Y	1K 1/4W R. NETWORK	
	R182	QRE141J-103Y	10K 1/4W R. NETWORK	
	R183	QRE141J-103Y	10K 1/4W R. NETWORK	
	R184	QRE141J-103Y	10K 1/4W R. NETWORK	
		OTHERS		
	L111	QQL231K-150Y	INDUCTOR I. M	
	T111	QQR0592-001	RF COIL	
	T141	QQR0613-001	I. F. TRANSFORMER	
	T142	QAX0303-001	CERAMIC FILTER	
	X121	QAX0259-001Z	RESONATOR I. M	
	AT101	FMMB10YV-401K	ANT TERMINAL	
	CF101	QAX0285-001Z	CERAMIC FILTER	
	CF102	QAX0285-001Z	CERAMIC FILTER	
	CN111	EMV5942-012R	CONNECTOR	
	FL141	QQR0590-001	FILTER	
	FL142	QQR0590-001	FILTER	
	RF101	EAF2207-001	FRONT END	

■Electrical Parts List (END-107 Additional P.C.B.)

△	Item	Parts Number	Description	Area
		DIODES		
	D2001	1SS133-T2	SI. DIODE	
	D2002	1SS133-T2	SI. DIODE	
	D2003	1SS133-T2	SI. DIODE	
	D2004	1SS133-T2	SI. DIODE	
	D2005	1SS133-T2	SI. DIODE	
		TRANSISTORS		
	Q2001	DTC114YS	DIGITAL TRANSISTOR	
	Q2002	DTC114YS	DIGITAL TRANSISTOR	
	Q2003	DTC114YS	DIGITAL TRANSISTOR	
		CAPACITORS		
	C2001	QETC1EM-226ZM	22MF 25V E. CAP.	
	C2002	QETB1EM-106	10MF 25V AL E. CAP.	
		RESISTORS		
	R2001	QRE141J-103Y	10K 1/4W R. NETWORK	
	R2002	QRE141J-223Y	22K 1/4W R. NETWORK	
	R2003	QRE141J-103Y	10K 1/4W R. NETWORK	
	R2004	QRE141J-223Y	22K 1/4W R. NETWORK	
		OTHERS		
	CN291	EMV7145-003Z	SOCKET	
	CN292	EMV7145-003Z	SOCKET	

■ Electrical Parts List (ENV-005 Video CD CDG P.C.B.)

△	Item	Parts Number	Description	Area
		I. C. S		
	IC101	CL480-F1	I. C (MICRO-COMPUTER)	
	IC102	LH531HEG-X	I. C (M)	
	IC103	UPD424260LE70-X	I. C.	
	IC104	BU1424K	I. C (M)	
	IC105	BU2173F-X	I. C (DIGI-MOS)	
	IC106	UPD6461QS-635-X	I. C.	
	IC107	P020VZ11X	I. C.	
	IC108	TC7SH04FU-X	I. C.	
	IC111	MN171601AK8J2	I. C (MICRO-COMPUTER)	
	IC112	TC55257DFLL85EX	I. C.	
	IC113	HD74HCT244FP-XE	I. C (M)	
	IC114	HD74HCT245FP-XE	I. C (M)	
		DIODES		
	D141	UDZ4.7B-X	ZENER DIODE	
	D142	1SS355-X	SI. DIODE	
		TRANSISTORS		
	Q101	DTA114EKA-X	DIGITAL TRANSISTOR	
	Q141	2SC2412K/RS/-X	SI. TRANSISTOR	
		CAPACITORS		
	C101	NCF31EZ-104X	0.1MF 25V C CAP.	
	C102	NCF31EZ-104X	0.1MF 25V C CAP.	
	C103	NCF31EZ-104X	0.1MF 25V C CAP.	
	C105	NCF31EZ-104X	0.1MF 25V C CAP.	
	C106	NCF31EZ-104X	0.1MF 25V C CAP.	
	C107	NCF31EZ-104X	0.1MF 25V C CAP.	
	C110	NCF31EZ-104X	0.1MF 25V C CAP.	
	C112	NCF31EZ-104X	0.1MF 25V C CAP.	
	C113	NCF31EZ-104X	0.1MF 25V C CAP.	
	C115	NCF31EZ-104X	0.1MF 25V C CAP.	
	C116	NCF31EZ-104X	0.1MF 25V C CAP.	
	C122	NCS31HJ-150X	15PF 50V C CAP.	
	C124	NCF31EZ-104X	0.1MF 25V C CAP.	
	C125	NCF31EZ-104X	0.1MF 25V C CAP.	
	C126	NEA20JM-226NZ	22MF 6.3V AL E. CAP.	
	C127	NCF31EZ-104X	0.1MF 25V C CAP.	
	C128	NEA20GM-476NZ	47MF AL E. CAP.	
	C131	NCF31EZ-104X	0.1MF 25V C CAP.	
	C133	NCF31EZ-104X	0.1MF 25V C CAP.	
	C134	NCF31EZ-104X	0.1MF 25V C CAP.	
	C135	NCF31EZ-104X	0.1MF 25V C CAP.	
	C136	NCB31HK-272X	2700PF 50V C CAP.	
	C141	NCB31HK-472X	4700PF 50V C. CAP.	
	C143	NCB31HK-182X	1800PF 50V C. CAP.	
	C144	NCB31HK-182X	1800PF 50V C. CAP.	
	C151	NCF31EZ-104X	0.1MF 25V C CAP.	
	C152	NEA20JM-226NZ	22MF 6.3V AL E. CAP.	
	C154	NEA20JM-226NZ	22MF 6.3V AL E. CAP.	
	C156	NEA20JM-226NZ	22MF 6.3V AL E. CAP.	
	C157	NEA20JM-226NZ	22MF 6.3V AL E. CAP.	
	C159	NCB31HK-102X	1000PF 50V C. CAP.	
	C168	NCS31HJ-471X	470PF 50V C CAP.	
	C170	NCS31HJ-471X	470PF 50V C CAP.	
	C181	NCF31EZ-104X	0.1MF 25V C CAP.	
	TC101	NAT3111-200X	20PF TRIM. CAP.	
		RESISTORS		
	R102	NRSA63J-473X	RES. C. M	
	R103	NRSA63J-103X	RES. C. M	
	R104	NRSA63J-105X	MG RES.	
	R107	NRSA63J-112X	MG RES.	
	R109	NRSA63J-750X	RES.	
	R111	NRSA63J-182X	RES. C. M	
	R112	NRSA63J-112X	MG RES.	
	R113	NRSA63J-102X	RES. C. M	
	R115	NRSA63J-OROX	MG RES.	
	R121	NRSA63J-102X	RES. C. M	

△	Item	Parts Number	Description	Area
	R122	NRSA63J-102X	RES. C. M	
	R123	NRSA63J-102X	RES. C. M	
	R124	NRSA63J-102X	RES. C. M	
	R125	NRSA63J-102X	RES. C. M	
	R135	NRSA63J-121X	MG RES.	
	R141	NRSA63J-750X	RES.	
	R142	NRSA63J-562X	RES. I. M	
	R147	NRSA63J-471X	RES. C. M	
	R148	NRSA63J-152X	MG RES.	
	R149	NRSA63J-152X	MG RES.	
	R150	NRSA63J-OROX	MG RES.	
	R155	NRSA63J-271X	RES. C. M	
	R156	NRSA63J-121X	MG RES.	
	R157	NRSA63J-OROX	MG RES.	
	R191	NRSA63J-820X	RES. C. M	
	R192	NRSA63J-820X	RES. C. M	
	R193	NRSA63J-820X	RES. C. M	
	R194	NRSA63J-750X	RES.	
		OTHERS		
		EWE390-04BB	WIRE	
		LE30524-001A	POLY BAG	
	K101	NGR0227-004X	F. BEADS	
	K103	NGR0227-004X	F. BEADS	
	L102	NQL012K-2R7X	INDUCTOR	
	X101	NAX0150-001X	CRYSTAL	
	CN101	EMV7171-015RE	CONNECTOR	
	CN102	EMV5109-012BE	CONNECTOR	
	CN103	EMV5109-006BE	CONNECTOR	

CA-V808T

■Electrical Parts List (ENH-311 DC Regulator and Audio Out P.C.B.)

△	Item	Parts Number	Description	Area
		I. C. S		
	IC091	BP502D	P. W. BOARD MODULE	
	IC701	TDA7294	I. C (M)	
	IC702	TDA7294	I. C (M)	
		DIODES		
△	D001	1N5402M-20	DIODE	
△	D002	1N5402M-20	DIODE	
△	D003	1N5402M-20	DIODE	
△	D004	1N5402M-20	DIODE	
△	D011	30D2-FC	SILICON	
△	D012	30D2-FC	SILICON	
△	D013	30D2-FC	SILICON	
△	D014	30D2-FC	SILICON	
	D015	30D2-FC	SILICON	
	D016	30D2-FC	SILICON	
	D017	1SR35-100	SILICON	
	D018	1SR35-100	SILICON	
	D019	MTZ30JC	ZENER	
	D020	MTZ5.6JC	ZENER	
	D021	MTZ5.1JB	ZENER	
	D022	1SS133-T2	SI. DIODE	
	D023	1SS133-T2	SI. DIODE	
	D024	1SS133-T2	SI. DIODE	
	D025	1SS133-T2	SI. DIODE	
	D027	1SR35-100	SILICON	
	D030	MTZ9.1JC	ZENER	
	D060	MTZ5.1JB	ZENER	
	D061	MTZ11JC	ZENER	
	D062	MTZ13JC	ZENER	
	D063	MTZ11JC	ZENER	
	D064	MTZ13JC	ZENER	
	D065	MTZ8.2JC	ZENER	
	D066	MTZ13JC	ZENER	
	D067	MTZ13JC	ZENER	
	D068	MTZ13JC	ZENER	
	D069	MTZ13JC	ZENER	
	D070	MTZ13JC	ZENER	
	D091	MTZ6.8JC	ZENER	
	D703	1SS133-T2	SI. DIODE	
	D704	1SS133-T2	SI. DIODE	
	D719	1SS133-T2	SI. DIODE	
	D720	1SS133-T2	SI. DIODE	
	D728	1SS133-T2	SI. DIODE	
	D751	1SS133-T2	SI. DIODE	
	D752	1SS133-T2	SI. DIODE	
	D753	1SS133-T2	SI. DIODE	
	D754	1SS133-T2	SI. DIODE	
	D755	1SS133-T2	SI. DIODE	
	D756	1SS133-T2	SI. DIODE	
	D757	MTZ3.9JB	ZENER	
	D758	MTZ3.9JB	ZENER	
	D759	1SS133-T2	SI. DIODE	
	D760	1SS133-T2	SI. DIODE	
		TRANSISTORS		
	Q001	2SB1187/EF/	SILICON	
	Q003	KRC107M-T	DIGITAL TRANSISTOR	
	Q004	KRC107M-T	DIGITAL TRANSISTOR	
	Q005	KRC102M-T	DIGITAL TRANSISTOR	
	Q040	2SC945A	SILICON	
	Q060	2SD2061/EF/	SILICON	
	Q061	2SC945A	SILICON	
	Q062	2SC945A	SILICON	
	Q063	2SD2061/EF/	SILICON	
	Q064	2SA933S (RS)	SILICON	
	Q065	2SC945A	SILICON	
	Q066	2SD2061/EF/	SILICON	

△	Item	Parts Number	Description	Area
	Q067	2SA933S (RS)	SILICON	
	Q068	2SC945A	SILICON	
	Q069	2SD2061/EF/	SILICON	
	Q070	2SC945A	SILICON	
	Q071	2SB1187/EF/	SILICON	
	Q072	2SA933S (RS)	SILICON	
	Q073	KRA104M-T	DIGITAL TRANSISTOR	
	Q074	DTC144ES	SILICON	
	Q075	KRC104M-T	DIGITAL TRANSISTOR	
	Q076	DTA144ES	SILICON	
	Q091	2SC1740S (R. S)	SILICON	
	Q701	2SA1038 (R. S)	SILICON	
	Q702	2SA1038 (R. S)	SILICON	
	Q726	2SC2389 (S. E)	SILICON	
	Q727	2SA1038 (R. S)	SILICON	
	Q728	2SC1740S (R. S)	SILICON	
	Q733	2SD2144S (VW)	SILICON	
	Q734	2SD2144S (VW)	SILICON	
	Q735	2SD2144S (VW)	SILICON	
	Q736	2SD2144S (VW)	SILICON	
	Q737	KRA111M-T	DIGITAL TRANSISTOR	
	Q751	2SC1685	SILICON	
	Q752	2SA933S (RS)	SILICON	
	Q753	2SC1685	SILICON	
	Q754	2SA933S (RS)	SILICON	
	Q755	2SA965 (Y)	SILICON	
	Q756	2SC2235 (O. Y)	SILICON	
		CAPACITORS		
△	C001	QFV82AJ-104	0.1MF 100V THIN FILM CAP.	
△	C002	QFV82AJ-104	0.1MF 100V THIN FILM CAP.	
	C003	QFV82AJ-104	0.1MF 100V THIN FILM CAP.	
	C004	QETM1HM-228	2200MF 50V E. CAP.	
	C005	QETM1HM-228	2200MF 50V E. CAP.	
△	C011	QFVJ1HJ-104Z	0.1MF 50V T. FILM	
△	C012	QFVJ1HJ-104Z	0.1MF 50V T. FILM	
	C013	QFVJ1HJ-104Z	0.1MF 50V T. FILM	
	C014	QETM1VM-228J7	2200MF 35V E. CAP.	
	C015	QETM1VM-228J7	2200MF 35V E. CAP.	
	C016	QETB1VM-107	100MF 35V AL E. CAP.	
	C017	QETB1JM-476	47MF 63V AL E. CAP.	
	C018	QETB1HM-226E	22MF 50V E. CAP.	
	C019	QDYB1CM-103Y	0.01MF 16V C CAP.	
	C020	QETB1HM-226E	22MF 50V E. CAP.	
	C021	QETB1HM-475E	4.7MF 50V E. CAP.	
	C022	QETB1HM-475E	4.7MF 50V E. CAP.	
	C023	QETB1HM-225	2.2MF 50V AL E. CAP.	
	C024	QETB1EM-106	10MF 25V AL E. CAP.	
	C032	QETB1AM-477	470MF 10V E. CAP.	
	C033	QFLB1HJ-103	0.01MF 50V MYLAR CAP.	
	C034	QFLB1HJ-103	0.01MF 50V MYLAR CAP.	
	C035	QFLB1HJ-103	0.01MF 50V MYLAR CAP.	
	C060	QETB1EM-226N	22MF 25V E. CAP.	
	C061	QCF31HZ-103Z	0.01MF 50V CERAMIC	
	C062	QETB1EM-226N	22MF 25V E. CAP.	
	C063	QETB1EM-226N	22MF 25V E. CAP.	
	C064	QCF31HZ-103Z	0.01MF 50V CERAMIC	
	C065	QETB1EM-226N	22MF 25V E. CAP.	
	C066	QETB1EM-226N	22MF 25V E. CAP.	
	C067	QCF31HZ-103Z	0.01MF 50V CERAMIC	
	C068	QETB1EM-226N	22MF 25V E. CAP.	
	C069	QETB1EM-226N	22MF 25V E. CAP.	
	C070	QCF31HZ-103Z	0.01MF 50V CERAMIC	
	C071	QETB1EM-226N	22MF 25V E. CAP.	
	C072	QETB1EM-226N	22MF 25V E. CAP.	
	C073	QCF31HZ-103Z	0.01MF 50V CERAMIC	
	C074	QETB1EM-226N	22MF 25V E. CAP.	

■Electrical Parts List (ENH-311 DC Regulator and Audio Out P.C.B.)

△	Item	Parts Number	Description	Area
	C091	QETB1HM-106	10MF 50V E. CAP.	
	C092	QETB0JM-478	4700MF 6.3V E. CAP.	
	C093	QETB1VM-477E	470MF 35V AL. E. CAP.	
	C094	QETB0JM-477	470MF 5.3V AL. E. CAP.	
	C095	QCZ0202-155	1.5MF 25V CER. CAP.	
	C096	QCZ0202-155	1.5MF 25V CER. CAP.	
	C098	QETB0JM-477	470MF 8.3V AL. E. CAP.	
	C100	QCZ0202-155	1.5MF 25V CER. CAP.	
	C103	QFLB1HJ-103	0.01MF 50V MYLAR CAP.	
	C703	QCB1HK-101Y	100PF 50V CER. CAP.	
	C704	QCB1HK-101Y	100PF 50V CER. CAP.	
	C705	QCB1HK-181Y	180PF 50V CER. CAP.	
	C706	QCB1HK-181Y	180PF 50V CER. CAP.	
	C707	QETB1EM-476	47MF 25V AL. E. CAP.	
	C708	QETB1EM-476	47MF 25V AL. E. CAP.	
	C709	QCSB1HJ-100Y	10PF 50V CER. CAP.	
	C710	QCSB1HJ-100Y	10PF 50V CER. CAP.	
	C711	QETB1HM-228E	22MF 50V E. CAP.	
	C712	QETB1HM-228E	22MF 50V E. CAP.	
	C713	QFVJ1HJ-104Z	0.1MF 50V T. FILM	
	C714	QFVJ1HJ-104Z	0.1MF 50V T. FILM	
	C715	QFVJ1HJ-104Z	0.1MF 50V T. FILM	
	C716	QFVJ1HJ-104Z	0.1MF 50V T. FILM	
	C721	QETB1HM-225	2.2MF 50V AL. E. CAP.	
	C722	QETB1HM-225	2.2MF 50V AL. E. CAP.	
	C726	QETB1EM-106	10MF 25V AL. E. CAP.	
	C729	QETB1CM-476	47MF 16V AL. E. CAP.	
	C751	QCB31HK-272Z	2700PF 50V CERAMIC	
	C752	QCB31HK-272Z	2700PF 50V CERAMIC	
	C753	QCB31HK-472Z	4700PF 50V CERAMIC	
	C754	QCB31HK-472Z	4700PF 50V CERAMIC	
	C755	QFVJ1HJ-105Z	1MF 50V T. FILM	
△	C756	QFVJ1HJ-105Z	1MF 50V T. FILM	
	C757	QDXB1CM-152Y	1500PF 16V C. CAP.	
	C758	QDXB1CM-152Y	1500PF 16V C. CAP.	
	C799	QDYB1CM-103Y	0.01MF 16V C. CAP.	
		RESISTORS		
	R003	QRE141J-332Y	3.3K 1/4W R. NETWORK	
	R004	QRE141J-223Y	22K 1/4W R. NETWORK	
	R005	QRE141J-104Y	100K 1/4W R. NETWORK	
	R006	QRZ9006-4R7X	4.7 FUSIBLE	
	R007	QRZ9006-4R7X	4.7 FUSIBLE	
	R008	QRE141J-103Y	10K 1/4W R. NETWORK	
	R009	QRE141J-103Y	10K 1/4W R. NETWORK	
	R010	QRE141J-472Y	4.7K 1/4W R. NETWORK	
	R011	QRE141J-102Y	1K 1/4W R. NETWORK	
	R012	QRE141J-223Y	22K 1/4W R. NETWORK	
	R013	QRE141J-103Y	10K 1/4W R. NETWORK	
	R014	QRE141J-104Y	100K 1/4W R. NETWORK	
△	R030	QRJ146J-221X	220 1/4W R. NETWORK	
	R040	QRK126J-471X	470 1/2W R. NETWORK	
	R041	QRK126J-471X	470 1/2W R. NETWORK	
	R042	QRE141J-222Y	2.2K 1/4W R. NETWORK	
	R045	QRE141J-222Y	2.2K 1/4W R. NETWORK	
	R062	QRE141J-331Y	330 1/4W R. NETWORK	
	R063	QRE141J-331Y	330 1/4W R. NETWORK	
	R064	QRE141J-122Y	1.2K 1/4W R. NETWORK	
	R065	QRE141J-561Y	560 1/4W R. NETWORK	
	R066	QRE141J-561Y	560 1/4W R. NETWORK	
	R067	QRE141J-122Y	1.2K 1/4W R. NETWORK	
	R068	QRE141J-331Y	330 1/4W R. NETWORK	
	R071	QRE141J-221Y	220 1/4W R. NETWORK	
	R072	QRE141J-681Y	680 1/4W R. NETWORK	
	R073	QRE141J-182Y	1.8K 1/4W R. NETWORK	
	R076	QRE141J-221Y	220 1/4W R. NETWORK	
	R077	QRE141J-681Y	680 1/4W R. NETWORK	

△	Item	Parts Number	Description	Area
	R078	QRE141J-182Y	1.8K 1/4W R. NETWORK	
	R081	QRE141J-272Y	2.7K 1/4W R. NETWORK	
	R082	QRE141J-562Y	5.6K 1/4W R. NETWORK	
	R084	QRE141J-272Y	2.7K 1/4W R. NETWORK	
	R085	QRE141J-562Y	5.6K 1/4W R. NETWORK	
	R091	QRE141J-473Y	47K 1/4W R. NETWORK	
	R092	QRE141J-473Y	47K 1/4W R. NETWORK	
	R094	QRJ149J-2R2	2.2 1/4W R. NETWORK	
△	R701	QRJ146J-100X	10 1/4W R. NETWORK	
△	R702	QRJ146J-100X	10 1/4W R. NETWORK	
	R703	QRE141J-563Y	56K 1/4W R. NETWORK	
	R704	QRE141J-563Y	56K 1/4W R. NETWORK	
△	R705	QRJ146J-821X	820 1/4W R. NETWORK	
△	R706	QRJ146J-821X	820 1/4W R. NETWORK	
	R707	QRE141J-563Y	56K 1/4W R. NETWORK	
	R708	QRE141J-563Y	56K 1/4W R. NETWORK	
△	R709	QRT01DJ-R22X	0.22 1W R. NETWORK	
△	R710	QRT01DJ-R22X	0.22 1W R. NETWORK	
△	R711	QRT01DJ-R22X	0.22 1W R. NETWORK	
	R712	QRT01DJ-R22X	0.22 1W R. NETWORK	
△	R713	QRJ146J-100X	10 1/4W R. NETWORK	
△	R714	QRJ146J-100X	10 1/4W R. NETWORK	
△	R715	QRJ146J-100X	10 1/4W R. NETWORK	
△	R716	QRJ146J-100X	10 1/4W R. NETWORK	
	R717	QRE141J-122Y	1.2K 1/4W R. NETWORK	
	R718	QRE141J-122Y	1.2K 1/4W R. NETWORK	
	R719	QRE141J-223Y	22K 1/4W R. NETWORK	
	R720	QRE141J-223Y	22K 1/4W R. NETWORK	
	R721	QRE141J-103Y	10K 1/4W R. NETWORK	
	R722	QRE141J-103Y	10K 1/4W R. NETWORK	
	R723	QRE141J-473Y	47K 1/4W R. NETWORK	
	R724	QRE141J-473Y	47K 1/4W R. NETWORK	
	R725	QRE141J-104Y	100K 1/4W R. NETWORK	
	R726	QRE141J-823Y	82K 1/4W R. NETWORK	
	R727	QRE141J-104Y	100K 1/4W R. NETWORK	
	R728	QRE141J-103Y	10K 1/4W R. NETWORK	
	R729	QRE141J-104Y	100K 1/4W R. NETWORK	
	R730	QRE141J-103Y	10K 1/4W R. NETWORK	
	R733	QRE141J-473Y	47K 1/4W R. NETWORK	
	R734	QRE141J-473Y	47K 1/4W R. NETWORK	
	R735	QRE141J-473Y	47K 1/4W R. NETWORK	
	R736	QRE141J-473Y	47K 1/4W R. NETWORK	
	R739	QRL01DJ-821X	820 1W R. NETWORK	
	R740	QRL01DJ-821X	820 1W R. NETWORK	
	R751	QRE141J-223Y	22K 1/4W R. NETWORK	
	R752	QRE141J-223Y	22K 1/4W R. NETWORK	
	R753	QRE141J-222Y	2.2K 1/4W R. NETWORK	
	R754	QRE141J-222Y	2.2K 1/4W R. NETWORK	
	R755	QRE141J-221Y	220 1/4W R. NETWORK	
	R756	QRE141J-221Y	220 1/4W R. NETWORK	
	R757	QRE141J-223Y	22K 1/4W R. NETWORK	
	R758	QRE141J-223Y	22K 1/4W R. NETWORK	
	R759	QRE141J-682Y	6.8K 1/4W R. NETWORK	
	R760	QRE141J-682Y	6.8K 1/4W R. NETWORK	
	R761	QRE141J-222Y	2.2K 1/4W R. NETWORK	
	R762	QRE141J-222Y	2.2K 1/4W R. NETWORK	
	R763	QRE141J-223Y	22K 1/4W R. NETWORK	
	R764	QRE141J-223Y	22K 1/4W R. NETWORK	
	R765	QRL01DJ-182X	1.8K 1W R. NETWORK	
	R766	QRL01DJ-182X	1.8K 1W R. NETWORK	
△	R767	QRJ146J-681X	680 1/4W R. NETWORK	
△	R768	QRJ146J-681X	680 1/4W R. NETWORK	
△	R769	QRJ146J-821X	820 1/4W R. NETWORK	
△	R770	QRJ146J-821X	820 1/4W R. NETWORK	
	R771	QRE141J-821Y	820 1/4W R. NETWORK	
	R772	QRE141J-821Y	820 1/4W R. NETWORK	

■Electrical Parts List (ENH-311 DC Regulator and Audio Out P.G.B.)

△	Item	Parts Number	Description	Area
△	R773	QRJ146J-101X	100 1/4W R. NETWORK	
△	R774	QRJ146J-101X	100 1/4W R. NETWORK	
	R775	QRE141J-471Y	470 1/4W R. NETWORK	
	R776	QRE141J-471Y	470 1/4W R. NETWORK	
△	R777	QRJ146J-4R7X	4.7 1/4W R. NETWORK	
△	R778	QRJ146J-4R7X	4.7 1/4W R. NETWORK	
	R779	QRE141J-222Y	2.2K 1/4W R. NETWORK	
	R780	QRE141J-222Y	2.2K 1/4W R. NETWORK	
	R1091	QRE141J-104Y	100K 1/4W R. NETWORK	
	R1092	QRE141J-104Y	100K 1/4W R. NETWORK	
	R1093	QRE141J-104Y	100K 1/4W R. NETWORK	
		OTHERS		
		QWE880-13RR	WIRE	
		QWE881-11RR	VINYL WIRE	
		QWE881-20RR	VINYL WIRE	
		QWE882-11RR	WIRE	
		QWE882-25RR	VINYL WIRE	
		QWE883-18RR	VINYL WIRE	
		QWE884-24RR	VINYL WIRE	
		QWE886-18RR	VINYL WIRE	
		QWE888-18RR	VINYL WIRE	
		QWE889-22RR	VINYL WIRE	
	J091	QNN0095-001	PIN JACK	
	K091	QOR0601-001Z	F. BEADS	
△	L701	QQLZ005-R45	INDUCTOR	
△	L702	QQLZ005-R45	INDUCTOR	
△	S001	QSW0524-001	VOLTAGE SELECTOR	
	CN002	EMV7163-011	CONNECTOR	
	CN003	EMV7163-010	CONNECTOR	
	CN005	EMV7163-006	CONNECTOR	
	CN006	EMV7163-010	CONNECTOR	
	CN007	EMV7163-009	CONNECTOR	
	CN009	EMV5138-005	CONNECTOR	
	CN012	EMV5163-011R	CONNECTOR	
	CN013	EMV5163-010R	CONNECTOR	
	CN019	EWS285-002J	SOCKET WIRE ASSY	
	CN111	EMV7145-004Z	SOCKET	
	CN505	EMV5142-906	60 SOCKET	
	CN915	EMV7145-003Z	SOCKET	
	EP001	EMZ4002-002Z	EARTH PLATE	
	EP002	EMZ4002-002Z	EARTH PLATE	
	FS100	E3400-431	FELT SPACER	
	FT021	EMG7331-003Z	FUSE CLIP	
	FT022	EMG7331-003Z	FUSE CLIP	
	FT031	EMG7331-003Z	FUSE CLIP	
	FT032	EMG7331-003Z	FUSE CLIP	
	FT511	EMG7331-003Z	FUSE CLIP	
	FT512	EMG7331-003Z	FUSE CLIP	
	FT521	EMG7331-003Z	FUSE CLIP	
	FT522	EMG7331-003Z	FUSE CLIP	
	FW101	EWR34D-13LS	FLAT WIRE	
	FW401	EWR34D-16LS	FLAT WIRE	
	TB001	QNZ0079-001Z	TAB I.M	
	TB002	QNZ0079-001Z	TAB I.M	
	TH002	QAD0095-4R7Z	POSITIVE THERMISTOR	
	TW799	EMPZ01-025	TERMINAL WIRE	

■ Electrical Parts List (ENC-141 Head AMP and CPU P.C.B.)

△	Item	Parts Number	Description	Area
		I. C. S		
	IC301	HD6433726SD78F	I. C (MICRO-COMPUTER)	
	IC302	BA15218N	I. C (MONO-ANALOG)	
	IC303	BA15218N	I. C (MONO-ANALOG)	
	IC304	BA3126N	I. C (MONO-ANALOG)	
	IC305	HA12208NT	I. C (MONO-ANALOG)	
	IC401	TDA7439	I. C (M)	
	IC402	NJM4580DD	I. C.	
	IC404	TC4052BP	I. C (DIGI-MOS)	
	IC405	NJM4580DD	I. C.	
	IC501	TC9409BF-000	I. C (M)	
		DIODES		
	D201	1SS133-T2	SI. DIODE	
	D202	1SS133-T2	SI. DIODE	
	D203	1SS133-T2	SI. DIODE	
	D290	1SS133-T2	SI. DIODE	
	D305	MTZ7.5JC	ZENER	
	D306	MTZ7.5JC	ZENER	
	D307	1SS133-T2	SI. DIODE	
	D308	1SS133-T2	SI. DIODE	
	D401	MTZ5.1JB	ZENER	
	D402	MTZ5.1JB	ZENER	
	D481	1SS133-T2	SI. DIODE	
	D482	1SS133-T2	SI. DIODE	
	D501	1SS133-T2	SI. DIODE	
		TRANSISTORS		
	Q201	KRC107M-T	DIGITAL TRANSISTOR	
	Q321	2SD2144S (VW)	SILICON	
	Q322	2SD2144S (VW)	SILICON	
	Q323	KRA107M-T	DIGITAL TRANSISTOR	
	Q326	2SC1740S (R. S)	SILICON	
	Q327	2SC1740S (R. S)	SILICON	
	Q328	2SC1740S (R. S)	SILICON	
	Q329	2SC1740S (R. S)	SILICON	
	Q341	KRC107M-T	DIGITAL TRANSISTOR	
	Q342	KRC107M-T	DIGITAL TRANSISTOR	
	Q343	KRC107M-T	DIGITAL TRANSISTOR	
	Q401	2SD2144S (VW)	SILICON	
	Q402	2SD2144S (VW)	SILICON	
	Q403	KRA102M-T	DIGITAL TRANSISTOR	
	Q411	2SC1740S (R. S)	SILICON	
	Q481	2SD2144S (VW)	SILICON	
	Q482	2SD2144S (VW)	SILICON	
	Q483	KRA102M-T	DIGITAL TRANSISTOR	
	Q491	KRC102M-T	DIGITAL TRANSISTOR	
	Q492	2SB1565 (E. F)	SILICON	
		CAPACITORS		
	C201	QCZ0205-155	1.5MF 25V C. CAP.	
	C202	QETB1AM-227	220MF 10V E. CAP.	
	C203	QDYB1CM-103Y	0.01MF 16V C. CAP.	
	C205	QCB1HK-221Y	220PF 50V CER. CAP.	
	C206	QCB1HK-221Y	220PF 50V CER. CAP.	
	C209	QDVB1EZ-223Y	0.022MF 25V C. CAP. I. M	
	C210	QDVB1EZ-223Y	0.022MF 25V C. CAP. I. M	
	C211	QDYB1CM-103Y	0.01MF 16V C. CAP.	
	C231	QFLB1HJ-104	0.1MF 50V MYLAR CAP.	
	C232	QFLB1HJ-104	0.1MF 50V MYLAR CAP.	
	C305	QCB1HK-101Y	100PF 50V CER. CAP.	
	C306	QCB1HK-101Y	100PF 50V CER. CAP.	
	C315	QETB1HM-105	1MF 50V AL. E. CAP.	
	C316	QETB1HM-105	1MF 50V AL. E. CAP.	
	C317	QETB1EM-106	10MF 25V AL. E. CAP.	
	C318	QETB1CM-107	100MF 16V AL. E. CAP.	
	C320	QFLB1HJ-682	6800PF 50V MYLAR CAP.	
	C321	QFLB1HJ-332	3300PF 50V MYLAR CAP.	
	C322	QFLB1HJ-332	3300PF 50V MYLAR CAP.	

△	Item	Parts Number	Description	Area
	C323	QFLB1HJ-183	0.018MF 50V MYLAR CAP.	
	C324	QFP31HG-472	4700PF 50V POLYPROP. FILM	
	C325	QCB1HK-101Y	100PF 50V CER. CAP.	
	C326	QCB1HK-101Y	100PF 50V CER. CAP.	
	C335	QCF31HZ-472Z	4700PF 50V CERAMIC	
	C336	QCF31HZ-472Z	4700PF 50V CERAMIC	
	C339	QETB1CM-476	47MF 16V AL. E. CAP.	
	C340	QETB1CM-476	47MF 16V AL. E. CAP.	
	C341	QFLB1HJ-472	4700PF 50V MYLAR CAP.	
	C342	QFLB1HJ-472	4700PF 50V MYLAR CAP.	
	C343	QETB1HM-225	2.2MF 50V AL. E. CAP.	
	C344	QETB1HM-225	2.2MF 50V AL. E. CAP.	
	C345	QFLB1HJ-104	0.1MF 50V MYLAR CAP.	
	C346	QFLB1HJ-104	0.1MF 50V MYLAR CAP.	
	C347	QETB1HM-225	2.2MF 50V AL. E. CAP.	
	C348	QETB1HM-225	2.2MF 60V AL. E. CAP.	
	C351	QDGB1HK-821Y	820PF 50V C. CAP.	
	C352	QETB1HM-474	0.47MF 50V E. CAP.	
	C353	QETB1HM-476	47MF 50V E. CAP.	
	C365	QETB1HM-225	2.2MF 50V AL. E. CAP.	
	C366	QETB1HM-225	2.2MF 50V AL. E. CAP.	
	C367	QFLB1HJ-822	8200PF 50V MYLAR CAP.	
	C368	QFLB1HJ-822	8200PF 50V MYLAR CAP.	
	C369	QETC1AM-107ZN	100MF 10V E. CAP.	
	C370	QETC1AM-107ZN	100MF 10V E. CAP.	
	C371	QETB1HM-225	2.2MF 50V AL. E. CAP.	
	C372	QETB1HM-225	2.2MF 50V AL. E. CAP.	
	C373	QETB1CM-476	47MF 16V AL. E. CAP.	
	C374	QETB1EM-476	47MF 25V AL. E. CAP.	
	C375	QCB1HK-101Y	100PF 50V CER. CAP.	
	C376	QCB1HK-101Y	100PF 50V CER. CAP.	
	C377	QDXB1CM-122Y	1200PF 16V C. CAP.	
	C378	QDXB1CM-122Y	1200PF 16V C. CAP.	
	C379	QCB1HK-331Y	330PF 50V CER. CAP.	
	C380	QCB1HK-331Y	330PF 50V CER. CAP.	
	C381	QETB1CM-476	47MF 16V AL. E. CAP.	
	C385	QFLB1HJ-822	8200PF 50V MYLAR CAP.	
	C386	QFLB1HJ-822	8200PF 50V MYLAR CAP.	
	C387	QETC1AM-107ZN	100MF 10V E. CAP.	
	C388	QETC1AM-107ZN	100MF 10V E. CAP.	
	C389	QETB1HM-225	2.2MF 50V AL. E. CAP.	
	C390	QETB1HM-225	2.2MF 50V AL. E. CAP.	
	C391	QETB1CM-476	47MF 16V AL. E. CAP.	
	C392	QETB1CM-476	47MF 16V AL. E. CAP.	
	C393	QCS21HJ-101A	100PF 50V CER. CAP.	
	C394	QCS21HJ-101A	100PF 50V CER. CAP.	
	C395	QDXB1CM-152Y	1500PF 16V C. CAP.	
	C396	QDXB1CM-152Y	1500PF 16V C. CAP.	
	C397	QCB1HK-391Y	390PF 50V CER. CAP.	
	C398	QCB1HK-391Y	390PF 50V CER. CAP.	
	C401	QFLB1HJ-472	4700PF 50V MYLAR CAP.	
	C402	QFLB1HJ-472	4700PF 50V MYLAR CAP.	
	C403	QFLB1HJ-102	1000PF 50V MYLAR CAP.	
	C404	QFLB1HJ-102	1000PF 50V MYLAR CAP.	
	C405	QETB1EM-106	10MF 25V AL. E. CAP.	
	C406	QETB1EM-106	10MF 25V AL. E. CAP.	
	C407	QETB1EM-106	10MF 25V AL. E. CAP.	
	C408	QETB1EM-106	10MF 25V AL. E. CAP.	
	C411	QETB1EM-106	10MF 25V AL. E. CAP.	
	C412	QETB1EM-106	10MF 25V AL. E. CAP.	
	C415	QETB1EM-106	10MF 25V AL. E. CAP.	
	C416	QETB1EM-106	10MF 25V AL. E. CAP.	
	C417	QETB1EM-106	10MF 25V AL. E. CAP.	
	C418	QETB1EM-106	10MF 25V AL. E. CAP.	
	C419	QETB1EM-106	10MF 25V AL. E. CAP.	
	C420	QETB1EM-476	47MF 25V AL. E. CAP.	

△	Item	Parts Number	Description	Area
	C421	QFLB1HJ-104	0.1MF 50V MYLAR CAP.	
	C422	QFLB1HJ-104	0.1MF 50V MYLAR CAP.	
	C423	QFLB1HJ-104	0.1MF 50V MYLAR CAP.	
	C424	QFLB1HJ-104	0.1MF 50V MYLAR CAP.	
	C425	QFLB1HJ-183	0.018MF 50V MYLAR CAP.	
	C426	QFLB1HJ-183	0.018MF 50V MYLAR CAP.	
	C427	QFLB1HJ-223	0.022MF 50V MYLAR CAP.	
	C428	QFLB1HJ-223	0.022MF 50V MYLAR CAP.	
	C429	QFLB1HJ-562	5600PF 50V MYLAR CAP.	
	C430	QFLB1HJ-562	5600PF 50V MYLAR CAP.	
	C431	QETB1HM-225	2.2MF 50V AL E. CAP.	
	C432	QETB1HM-225	2.2MF 50V AL E. CAP.	
	C433	QETB1HM-105	1MF 50V AL E. CAP.	
	C434	QETB1HM-105	1MF 50V AL E. CAP.	
	C435	QETB1EM-106	10MF 25V AL E. CAP.	
	C436	QETB1EM-106	10MF 25V AL E. CAP.	
	C437	QETB1EM-106	10MF 25V AL E. CAP.	
	C438	QETB1EM-106	10MF 25V AL E. CAP.	
	C441	QETB1EM-106	10MF 25V AL E. CAP.	
	C442	QETB1EM-106	10MF 25V AL E. CAP.	
	C443	QETB1EM-106	10MF 25V AL E. CAP.	
	C444	QETB1EM-106	10MF 25V AL E. CAP.	
	C445	QCB1HK-101Y	100PF 50V CER. CAP.	
	C446	QCB1HK-101Y	100PF 50V CER. CAP.	
	C447	QETB1EM-106	10MF 25V AL E. CAP.	
	C448	QETB1EM-106	10MF 25V AL E. CAP.	
	C451	QETB1EM-106	10MF 25V AL E. CAP.	
	C452	QETB1EM-106	10MF 25V AL E. CAP.	
	C453	QETB1EM-106	10MF 25V AL E. CAP.	
	C454	QETB1CM-476	47MF 16V AL E. CAP.	
	C455	QETB1EM-106	10MF 25V AL E. CAP.	
	C465	QFLB1HJ-122	1200PF 50V MYLAR CAP.	
	C466	QFLB1HJ-122	1200PF 50V MYLAR CAP.	
	C477	QETB1HM-475E	4.7MF 50V E. CAP.	
	C489	QETB1CM-476	47MF 16V AL E. CAP.	
	C490	QETB1CM-476	47MF 16V AL E. CAP.	
	C493	QFLB1HJ-104	0.1MF 50V MYLAR CAP.	
	C494	QFLB1HJ-104	0.1MF 50V MYLAR CAP.	
	C495	QFLB1HJ-104	0.1MF 50V MYLAR CAP.	
	C496	QFLB1HJ-104	0.1MF 50V MYLAR CAP.	
	C497	QCB1HK-102	1000PF 50V CER. CAP.	
	C498	QCB1HK-102	1000PF 50V CER. CAP.	
	C501	QETB1HM-475E	4.7MF 50V E. CAP.	
	C502	QETB1HM-475E	4.7MF 50V E. CAP.	
	C503	QFN81HJ-222	2200PF 50V METAL. MYLAR	
	C504	QFN81HJ-222	2200PF 50V METAL. MYLAR	
	C505	QCB1HK-102	1000PF 50V CER. CAP.	
	C506	QCB1HK-102	1000PF 50V CER. CAP.	
	C507	QDYB1CM-103Y	0.01MF 16V C CAP.	
	C508	QETC1AM-476ZM	47MF 10V E. CAP.	
	C511	QETB1HM-475E	4.7MF 50V E. CAP.	
	C512	QFLB1HJ-472	4700PF 50V MYLAR CAP.	
	C513	QCB1HK-102	1000PF 50V CER. CAP.	
	C514	QDYB1CM-103Y	0.01MF 16V C CAP.	
	C515	QETC1AM-476ZM	47MF 10V E. CAP.	
	C521	QETB1HM-105	1MF 50V AL E. CAP.	
	C522	QETB1HM-105	1MF 50V AL E. CAP.	
	C531	QETC1AM-107ZN	100MF 10V E. CAP.	
	C532	QDYB1CM-103Y	0.01MF 16V C CAP.	
	C533	QETC1AM-107ZN	100MF 10V E. CAP.	
	C534	QDYB1CM-103Y	0.01MF 16V C CAP.	
	C535	QC20205-155	1.5MF 25V C. CAP.	
	C536	QETC1AM-107ZN	100MF 10V E. CAP.	
	C537	QDYB1CM-103Y	0.01MF 16V C CAP.	
	C538	QETB0JM-227	220MF 8.3V E. CAP.	
	C539	QDYB1CM-103Y	0.01MF 16V C CAP.	

△	Item	Parts Number	Description	Area
	C540	QETB0JM-477	470MF 8.3V AL E. CAP.	
	C542	QETC1AM-107ZN	100MF 10V E. CAP.	
	C543	QDYB1CM-103Y	0.01MF 16V C CAP.	
	C544	QETC1AM-107ZN	100MF 10V E. CAP.	
	C545	QDYB1CM-103Y	0.01MF 16V C CAP.	
	C546	QDYB1CM-103Y	0.01MF 16V C CAP.	
	C547	QETC1AM-107ZN	100MF 10V E. CAP.	
	C548	QCS31HJ-6R0Z	8PF 50V CER. CAP.	
	C549	QCS31HJ-6R0Z	8PF 50V CER. CAP.	
	C551	QCB1HK-561Y	560PF 50V CER. CAP.	
	C552	QCB1HK-561Y	560PF 50V CER. CAP.	
	C553	QCFB1HZ-104Y	0.1MF 50V CER. CAP.	
	C554	QC20205-155	1.5MF 25V C. CAP.	
		RESISTORS		
	R201	QRE141J-105Y	1M 1/4W R. NETWORK	
	R202	QRE141J-102Y	1K 1/4W R. NETWORK	
	R203	QRE141J-102Y	1K 1/4W R. NETWORK	
	R204	QRE141J-102Y	1K 1/4W R. NETWORK	
	R205	QRE141J-102Y	1K 1/4W R. NETWORK	
	R206	QRE141J-103Y	10K 1/4W R. NETWORK	
	R207	QRE141J-103Y	10K 1/4W R. NETWORK	
	R208	QRE141J-472Y	4.7K 1/4W R. NETWORK	
	R209	QRE141J-223Y	22K 1/4W R. NETWORK	
	R211	QRE141J-103Y	10K 1/4W R. NETWORK	
	R213	QRE141J-472Y	4.7K 1/4W R. NETWORK	
	R214	QRE141J-472Y	4.7K 1/4W R. NETWORK	
	R217	QRE141J-103Y	10K 1/4W R. NETWORK	
	R218	QRE141J-221Y	220 1/4W R. NETWORK	
	R231	QRE141J-183Y	18K 1/4W R. NETWORK	
	R232	QRE141J-183Y	18K 1/4W R. NETWORK	
	R233	QRE141J-153Y	15K 1/4W R. NETWORK	
	R234	QRE141J-153Y	15K 1/4W R. NETWORK	
	R271	QRE141J-104Y	100K 1/4W R. NETWORK	
	R272	QRE141J-104Y	100K 1/4W R. NETWORK	
	R280	QRE141J-221Y	220 1/4W R. NETWORK	
	R281	QRE141J-224Y	220K 1/4W R. NETWORK	
	R282	QRE141J-224Y	220K 1/4W R. NETWORK	
	R283	QRE141J-100Y	10 1/4W R. NETWORK	
	R284	QRE141J-100Y	10 1/4W R. NETWORK	
	R285	QRE141J-393Y	39K 1/4W R. NETWORK	
	R286	QRE141J-393Y	39K 1/4W R. NETWORK	
	R287	QRJ146J-6R8X	6.8 1/4W R. NETWORK	
	R288	QRZ9005-100X	10 FUSIBLE	
	R290	QRE141J-332Y	3.3K 1/4W R. NETWORK	
	R292	QRE141J-181Y	180 1/4W R. NETWORK	
	R293	QRE141J-511Y	510 1/4W R. NETWORK	
	R294	QRE141J-561Y	560 1/4W R. NETWORK	
	R296	QRE141J-104Y	100K 1/4W R. NETWORK	
	R297	QRE141J-222Y	2.2K 1/4W R. NETWORK	
	R335	QRE141J-102Y	1K 1/4W R. NETWORK	
	R336	QRE141J-102Y	1K 1/4W R. NETWORK	
	R337	QRE141J-102Y	1K 1/4W R. NETWORK	
	R338	QRE141J-102Y	1K 1/4W R. NETWORK	
	R339	QRE141J-333Y	33K 1/4W R. NETWORK	
	R340	QRE141J-333Y	33K 1/4W R. NETWORK	
	R341	QRE141J-222Y	2.2K 1/4W R. NETWORK	
	R342	QRE141J-222Y	2.2K 1/4W R. NETWORK	
	R343	QRE141J-223Y	22K 1/4W R. NETWORK	
	R344	QRE141J-563Y	56K 1/4W R. NETWORK	
	R345	QRE141J-184Y	180K 1/4W R. NETWORK	
	R346	QRE141J-105Y	1M 1/4W R. NETWORK	
	R347	QRE141J-221Y	220 1/4W R. NETWORK	
	R348	QRE141J-221Y	220 1/4W R. NETWORK	
	R349	QRE141J-102Y	1K 1/4W R. NETWORK	
	R351	QRE141J-242Y	2.4K 1/4W R. NETWORK	
	R352	QRE141J-242Y	2.4K 1/4W R. NETWORK	

■ Electrical Parts List (ENC-141 Head AMP and CPU P.C.B.)

△	Item	Parts Number	Description	Area
	R353	QRE141J-752Y	7.5K 1/4W R. NETWORK	
	R354	QRE141J-752Y	7.5K 1/4W R. NETWORK	
	R355	QRE141J-103Y	10K 1/4W R. NETWORK	
	R356	QRE141J-103Y	10K 1/4W R. NETWORK	
	R357	QRE141J-223Y	22K 1/4W R. NETWORK	
	R358	QRE141J-223Y	22K 1/4W R. NETWORK	
	R367	QRE141J-224Y	220K 1/4W R. NETWORK	
	R368	QRE141J-224Y	220K 1/4W R. NETWORK	
	R371	QRE141J-163Y	16K 1/4W R. NETWORK	
	R372	QRE141J-163Y	16K 1/4W R. NETWORK	
	R377	QRE141J-221Y	220 1/4W R. NETWORK	
	R378	QRE141J-221Y	220 1/4W R. NETWORK	
	R381	QRE141J-221Y	220 1/4W R. NETWORK	
	R382	QRE141J-221Y	220 1/4W R. NETWORK	
	R385	QRE141J-224Y	220K 1/4W R. NETWORK	
	R386	QRE141J-224Y	220K 1/4W R. NETWORK	
	R391	QRE141J-163Y	16K 1/4W R. NETWORK	
	R392	QRE141J-163Y	16K 1/4W R. NETWORK	
	R401	QRE141J-222Y	2.2K 1/4W R. NETWORK	
	R402	QRE141J-222Y	2.2K 1/4W R. NETWORK	
	R403	QRE141J-222Y	2.2K 1/4W R. NETWORK	
	R404	QRE141J-222Y	2.2K 1/4W R. NETWORK	
	R405	QRE141J-202Y	2K 1/4W R. NETWORK	
	R406	QRE141J-202Y	2K 1/4W R. NETWORK	
	R407	QRE141J-562Y	5.6K 1/4W R. NETWORK	
	R408	QRE141J-562Y	5.6K 1/4W R. NETWORK	
	R409	QRE141J-302Y	3K 1/4W R. NETWORK	
	R410	QRE141J-302Y	3K 1/4W R. NETWORK	
	R411	QRE141J-562Y	5.6K 1/4W R. NETWORK	
	R412	QRE141J-562Y	5.6K 1/4W R. NETWORK	
	R413	QRE141J-273Y	27K 1/4W R. NETWORK	
	R414	QRE141J-273Y	27K 1/4W R. NETWORK	
	R415	QRE141J-273Y	27K 1/4W R. NETWORK	
	R416	QRE141J-273Y	27K 1/4W R. NETWORK	
	R417	QRE141J-562Y	5.6K 1/4W R. NETWORK	
	R418	QRE141J-562Y	5.6K 1/4W R. NETWORK	
	R419	QRE141J-272Y	2.7K 1/4W R. NETWORK	
	R420	QRE141J-272Y	2.7K 1/4W R. NETWORK	
	R421	QRE141J-104Y	100K 1/4W R. NETWORK	
	R422	QRE141J-104Y	100K 1/4W R. NETWORK	
	R423	QRE141J-332Y	3.3K 1/4W R. NETWORK	
	R424	QRE141J-332Y	3.3K 1/4W R. NETWORK	
	R425	QRE141J-103Y	10K 1/4W R. NETWORK	
	R426	QRE141J-103Y	10K 1/4W R. NETWORK	
	R427	QRE141J-242Y	2.4K 1/4W R. NETWORK	
	R428	QRE141J-242Y	2.4K 1/4W R. NETWORK	
	R429	QRE141J-471Y	470 1/4W R. NETWORK	
	R430	QRE141J-471Y	470 1/4W R. NETWORK	
	R435	QRE141J-104Y	100K 1/4W R. NETWORK	
	R436	QRE141J-104Y	100K 1/4W R. NETWORK	
	R437	QRE141J-103Y	10K 1/4W R. NETWORK	
	R438	QRE141J-103Y	10K 1/4W R. NETWORK	
	R439	QRE141J-203Y	20K 1/4W R. NETWORK	
	R440	QRE141J-203Y	20K 1/4W R. NETWORK	
	R441	QRE141J-104Y	100K 1/4W R. NETWORK	
	R442	QRE141J-104Y	100K 1/4W R. NETWORK	
	R443	QRE141J-203Y	20K 1/4W R. NETWORK	
	R444	QRE141J-203Y	20K 1/4W R. NETWORK	
	R445	QRE141J-224Y	220K 1/4W R. NETWORK	
	R446	QRE141J-224Y	220K 1/4W R. NETWORK	
	R447	QRE141J-331Y	330 1/4W R. NETWORK	
	R448	QRE141J-202Y	2K 1/4W R. NETWORK	
	R449	QRE141J-331Y	330 1/4W R. NETWORK	
	R450	QRE141J-105Y	1M 1/4W R. NETWORK	
	R453	QRE141J-104Y	100K 1/4W R. NETWORK	
	R454	QRE141J-104Y	100K 1/4W R. NETWORK	

△	Item	Parts Number	Description	Area
	R461	QRE141J-221Y	220 1/4W R. NETWORK	
	R462	QRE141J-221Y	220 1/4W R. NETWORK	
	R463	QRE141J-103Y	10K 1/4W R. NETWORK	
	R464	QRE141J-103Y	10K 1/4W R. NETWORK	
	R465	QRE141J-102Y	1K 1/4W R. NETWORK	
	R481	QRE141J-222Y	2.2K 1/4W R. NETWORK	
	R482	QRE141J-222Y	2.2K 1/4W R. NETWORK	
	R483	QRE141J-221Y	220 1/4W R. NETWORK	
	R484	QRE141J-221Y	220 1/4W R. NETWORK	
	R485	QRE141J-103Y	10K 1/4W R. NETWORK	
	R486	QRE141J-103Y	10K 1/4W R. NETWORK	
	R491	QRE141J-471Y	470 1/4W R. NETWORK	
	R492	QRE141J-103Y	10K 1/4W R. NETWORK	
	R493	QRE141J-113Y	11K 1/4W R. NETWORK	
	R494	QRE141J-113Y	11K 1/4W R. NETWORK	
	R497	QRE141J-104Y	100K 1/4W R. NETWORK	
	R498	QRE141J-104Y	100K 1/4W R. NETWORK	
	R501	QRE141J-103Y	10K 1/4W R. NETWORK	
	R502	QRE141J-103Y	10K 1/4W R. NETWORK	
	R503	QRE141J-103Y	10K 1/4W R. NETWORK	
	R504	QRE141J-103Y	10K 1/4W R. NETWORK	
	R505	QRE141J-103Y	10K 1/4W R. NETWORK	
	R506	QRE141J-103Y	10K 1/4W R. NETWORK	
	R511	QRE141J-752Y	7.5K 1/4W R. NETWORK	
	R512	QRE141J-102Y	1K 1/4W R. NETWORK	
	R513	QRE141J-103Y	10K 1/4W R. NETWORK	
	R514	QRE141J-103Y	10K 1/4W R. NETWORK	
	R515	QRE141J-103Y	10K 1/4W R. NETWORK	
	R521	QRE141J-473Y	47K 1/4W R. NETWORK	
	R522	QRE141J-473Y	47K 1/4W R. NETWORK	
	R531	QRZ9005-100X	10 FUSIBLE	
	R532	QRZ9005-100X	10 FUSIBLE	
	R533	QRZ9005-100X	10 FUSIBLE	
	R534	QRZ9006-4R7X	4.7 FUSIBLE	
	R551	QRE141J-222Y	2.2K 1/4W R. NETWORK	
	R552	QRE141J-222Y	2.2K 1/4W R. NETWORK	
	R553	QRE141J-222Y	2.2K 1/4W R. NETWORK	
	R554	QRE141J-222Y	2.2K 1/4W R. NETWORK	
	VR231	QVP0008-503Z	50K VARIABLE	
	VR232	QVP0008-503Z	50K VARIABLE	
	VR301	QVP0008-102Z	1K VARIABLE	
	VR302	QVP0008-102Z	1K VARIABLE	
	VR303	QVP0008-102Z	1K VARIABLE	
	VR304	QVP0008-102Z	1K VARIABLE	
	VR305	QVP0008-104Z	100K VARIABLE	
	VR306	QVP0008-104Z	100K VARIABLE	
	VR307	QVP0008-104Z	100K VARIABLE	
	VR308	QVP0008-104Z	100K VARIABLE	
	VR309	QVP0008-104Z	100K VARIABLE	
	VR310	QVP0008-104Z	100K VARIABLE	
		OTHERS		
		QWE350-09RR	VINYL WIRE	
	J401	EMN00TV-405A	PIN JACK	
	K401	QQR0601-001Z	F. BEADS	
	K402	QQR0601-001Z	F. BEADS	
	K501	QQR0601-001Z	F. BEADS	
	K502	QQR0601-001Z	F. BEADS	
	K503	QQR0601-001Z	F. BEADS	
	K504	QQR0601-001Z	F. BEADS	
	K505	QQR0601-001Z	F. BEADS	
	L301	QQR0588-001	OSC COIL	
	L305	QQL30BJ-223Z	INDUCTOR 1.M	
	L306	QQL30BJ-223Z	INDUCTOR 1.M	
	L501	QQL231K-220Y	INDUCTOR 1.M	
	X201	QAX0246-001Z	RESONATOR	
	X501	QAX0264-001Z	CRYSTAL	

CA-V808T

■Electrical Parts List (ENC-141 Head AMP and CPU P.C.B.)

△	Item	Parts Number	Description	Area
	CN016	EMV5163-010R	CONNECTOR	
	CN017	EMV5163-009R	CONNECTOR	
	CN131	EMV5109-012A	12P PLUG ASSY	
	CN311	EMV5172-014B	CONNECTOR	
	CN312	EMV5172-014B	CONNECTOR	
	CN322	VMC0163-016	CONNECTOR	
	CN331	EMV7155-106R	FFC SOCKET	
	CN332	EMV7155-106R	FFC SOCKET	
	CN402	VMC0161-017	CONNECTOR	
	CN411	VMC0163-029	CONNECTOR	
	CN412	VMC0161-017	CONNECTOR	
	CN422	EMV7145-004Z	SOCKET	
	CN504	EMV7123-012	CONNECTOR	
	CN613	VMC0163-007	CONNECTOR	
	CN614	VMC0163-011	CONNECTOR	
	CN701	EMV7145-004Z	SOCKET	
	CN811	VMC0163-010	CONNECTOR	
	CP401	ICP-N15	I. C. PROTECTOR	
	EP003	E409182-001SM	EARTH TERMINAL	
	FS101	E3400-431	FELT SPACER	
	LC501	QGR0606-008Z	EMI FILTER I. M	

■ Electrical Parts List (ENB-259 C. Mecha and System Control P. C. B.)

△	Item	Parts Number	Description	Area
		I. C. S		
	IC231	HA12136A	I. C (MONO-ANALOG)	
	IC901	HD404719A73FS	I. C (M)	
	IC902	MN172412JABH	I. C (M)	
	IC903	XR1099CP	I. C (MONO-ANALOG)	
	IC904	GP1U271X	REMOCON DETECTOR	
	IC912	NJM4580DD	I. C.	
		DIODES		
	D041	1SS133-T2	SI. DIODE	
	D231	1SR35-100	SILICON	
	D232	SLR-342MCA47	L. E. D.	
	D233	SLR-342MCA47	L. E. D.	
	D234	SLR-342MCA47	L. E. D.	
	D235	SLR-342MCA47	L. E. D.	
	D236	SLR-342MCA47	L. E. D.	
	D237	SLR-342MCA47	L. E. D.	
	D626	1SS133-T2	SI. DIODE	
	D801	MT22. 4JB	ZENER	
	D802	SLR-342VC-T	L. E. D.	
	D803	SLR-342VC-T	L. E. D.	
	D804	SLR-342VC-T	L. E. D.	
	D805	SLR-342VC-T	L. E. D.	
	D806	SLR-342VC-T	L. E. D.	
	D901	1SS119-02	SILICON	
	D902	1SS133-T2	SI. DIODE	
	D904	SLR-342DC-T	L. E. D.	
	D905	SLR-342MCA47	L. E. D.	
	D906	SLR-342MCA47	L. E. D.	
	D907	SLR-342MCA47	L. E. D.	
	D908	SLR-342MCA47	L. E. D.	
	D909	SLR-342MCA47	L. E. D.	
	D910	SLR-342MCA47	L. E. D.	
	D911	SLR-342MCA47	L. E. D.	
	D912	SLR-342MCA47	L. E. D.	
	D913	SLR-342MCA47	L. E. D.	
	D914	SLR-342MCA47	L. E. D.	
	D915	SLR-342MCA47	L. E. D.	
	D916	SLR-342MCA47	L. E. D.	
	D917	SLR-342MCA47	L. E. D.	
	D918	SLR-342MCA47	L. E. D.	
	D919	SLR-342MCA47	L. E. D.	
	D920	1SS133-T2	SI. DIODE	
	D921	1SS133-T2	SI. DIODE	
	D922	1SS133-T2	SI. DIODE	
	D923	MTZ5. 6JC	ZENER	
	D924	MTZ5. 6JC	ZENER	
	D925	MTZ5. 6JC	ZENER	
	D931	1SS133-T2	SI. DIODE	
	D933	1SS133-T2	SI. DIODE	
	D934	1SS133-T2	SI. DIODE	
	D935	1SS133-T2	SI. DIODE	
	D941	MTZ5. 1JB	ZENER	
	D1146	MTZ2. 4JB	ZENER	
		TRANSISTORS		
	Q231	2SA934 (Q. R)	SILICON	
	Q232	DTC123YS	SILICON	
	Q233	2SA934 (Q. R)	SILICON	
	Q234	DTC123YS	SILICON	
	Q235	2SA933S (RS)	SILICON	
	Q236	KRC107M-T	DIGITAL TRANSISTOR	
	Q237	KRC107M-T	DIGITAL TRANSISTOR	
	Q901	KRC102M-T	DIGITAL TRANSISTOR	
	Q902	KRC102M-T	DIGITAL TRANSISTOR	
	Q903	KRC102M-T	DIGITAL TRANSISTOR	
	Q904	KRC102M-T	DIGITAL TRANSISTOR	
	Q921	KRC107M-T	DIGITAL TRANSISTOR	

△	Item	Parts Number	Description	Area
	Q922	DTC114ES-T	SILICON	
	Q923	DTC114ES-T	SILICON	
	Q924	DTC114ES-T	SILICON	
	Q925	DTC114ES-T	SILICON	
		CAPACITORS		
△	C051	QFVJ1HJ-104Z	0. 1MF 50V T. FILM	
△	C052	QFVJ1HJ-104Z	0. 1MF 50V T. FILM	
	C053	QDXB1CM-222Y	2200PF 18V C CAP.	
	C054	QDXB1CM-222Y	2200PF 16V C CAP.	
	C055	QFLB1HJ-393	0. 039MF 50V MYLAR CAP.	
	C056	QFLB1HJ-393	0. 039MF 50V MYLAR CAP.	
	C233	QETB1HM-225	2. 2MF 50V AL. E. CAP.	
	C234	QETB1HM-225	2. 2MF 50V AL. E. CAP.	
	C235	QETB1HM-225	2. 2MF 50V AL. E. CAP.	
	C236	QETB1HM-225	2. 2MF 50V AL. E. CAP.	
	C237	QETB1HM-106	10MF 50V E. CAP.	
	C238	QETB1HM-225	2. 2MF 50V AL. E. CAP.	
	C239	QETB1HM-225	2. 2MF 50V AL. E. CAP.	
	C240	QCCB1HK-221Y	220PF 50V CER. CAP.	
	C241	QCCB1HK-221Y	220PF 50V CER. CAP.	
	C242	QETB1HM-475E	4. 7MF 50V E. CAP.	
	C243	QFVJ1HJ-224Z	0. 22MF 50V T. FILM	
	C244	QFVJ1HJ-224Z	0. 22MF 50V T. FILM	
	C245	QCCB1HK-561Y	560PF 50V CER. CAP.	
	C246	QCCB1HK-561Y	560PF 50V CER. CAP.	
	C247	QETB1CM-476	47MF 16V AL. E. CAP.	
	C251	QETB1CM-107	100MF 16V AL. E. CAP.	
	C499	QCZO205-155	1. 5MF 25V C. CAP.	
	C801	QCCB1HK-471Y	470PF 50V CER. CAP.	
	C802	QCCB1HK-471Y	470PF 50V CER. CAP.	
	C901	QETC1AM-107ZM	100MF 10V E. CAP.	
	Q902	QCZO205-155	1. 5MF 25V C. CAP.	
	C903	QEZO329-479Z	47000MF ELECTRO	
	C904	QDVBEZ-223Y	0. 022MF 25V C CAP I M	
	C905	QER50JM-107	100MF 6. 3V AL. E. CAP.	
	C910	QDC31HJ-330Z	33PF 50V C. CAPA. I. M	
	Q911	QEAD0HZ-479ZM	47000MF E. CAP.	
	C912	QETC1AM-476ZM	47MF 10V E. CAP.	
	C914	QCZO205-155	1. 5MF 25V C. CAP.	
	C915	QDYB1CM-103Y	0. 01MF 16V C CAP.	
	C916	QER51HM-474	0. 47MF 50V E. CAP.	
	C921	QER50JM-107	100MF 6. 3V AL. E. CAP.	
	C922	QER50JM-107	100MF 6. 3V AL. E. CAP.	
	C923	QCCB1HK-102	1000PF 50V CER. CAP.	
	C1112	QCCB1HK-151	150PF 50V CER. CAP.	
	C1114	QCCB1HK-331Y	330PF 50V CER. CAP.	
	C1115	QETB1EM-106	10MF 25V AL. E. CAP.	
	C1139	QCCB1HK-102	1000PF 50V CER. CAP.	
	C1140	QETB1EM-106	10MF 25V AL. E. CAP.	
	C1141	QCCB1HK-101Y	100PF 50V CER. CAP.	
	C1142	QCCB1HK-101Y	100PF 50V CER. CAP.	
	C1143	QETB1EM-106	10MF 25V AL. E. CAP.	
	C1144	QETB1EM-106	10MF 25V AL. E. CAP.	
	C1145	QETB1EM-106	10MF 25V AL. E. CAP.	
	C1146	QDYB1CM-103Y	0. 01MF 16V C CAP.	
	C1147	QCCB1HK-102	1000PF 50V CER. CAP.	
	C1148	QCCB1HK-102	1000PF 50V CER. CAP.	
	TC902	QAT7010-200Z	20PF TRIMMER	
		RESISTORS		
△	R051	QRJ146J-4R7X	4. 7 1/4W R. NETWORK	
△	R052	QRJ146J-4R7X	4. 7 1/4W R. NETWORK	
	R235	QRE141J-153Y	15K 1/4W R. NETWORK	
	R236	QRE141J-153Y	15K 1/4W R. NETWORK	
	R237	QRE141J-681Y	680 1/4W R. NETWORK	
	R238	QRE141J-681Y	680 1/4W R. NETWORK	
	R239	QRJ146J-220X	22 1/4W R. NETWORK	

CA-V808T

■Electrical Parts List (ENB-259 C. Mecha and System Control P.C.B.)

△	Item	Parts Number	Description	Area
	R240	QRE141J-103Y	10K 1/4W R. NETWORK	
	R241	QRE141J-183Y	18K 1/4W R. NETWORK	
	R242	QRE141J-183Y	18K 1/4W R. NETWORK	
	R245	QRE141J-751Y	750 1/4W R. NETWORK	
	R246	QRE141J-751Y	750 1/4W R. NETWORK	
	R247	QRE141J-471Y	470 1/4W R. NETWORK	
	R248	QRT022J-3R3	3.3 2W R. NETWORK	
	R249	QRE141J-103Y	10K 1/4W R. NETWORK	
	R250	QRE141J-103Y	10K 1/4W R. NETWORK	
	R251	QRE141J-103Y	10K 1/4W R. NETWORK	
	R255	QRE141J-751Y	750 1/4W R. NETWORK	
	R256	QRE141J-751Y	750 1/4W R. NETWORK	
	R257	QRE141J-471Y	470 1/4W R. NETWORK	
	R258	QRT022J-3R3	3.3 2W R. NETWORK	
	R259	QRE141J-224Y	220K 1/4W R. NETWORK	
	R260	QRE141J-103Y	10K 1/4W R. NETWORK	
	R261	QRE141J-473Y	47K 1/4W R. NETWORK	
	R262	QRE141J-273Y	27K 1/4W R. NETWORK	
	R263	QRE141J-102Y	1K 1/4W R. NETWORK	
	R264	QRE141J-103Y	10K 1/4W R. NETWORK	
	R265	QRE141J-103Y	10K 1/4W R. NETWORK	
	R266	QRE141J-103Y	10K 1/4W R. NETWORK	
	R267	QRE141J-103Y	10K 1/4W R. NETWORK	
	R268	QRE141J-221Y	220 1/4W R. NETWORK	
	R269	QRE141J-221Y	220 1/4W R. NETWORK	
	R801	QRE141J-431Y	430 1/4W R. NETWORK	
	R802	QRE141J-431Y	430 1/4W R. NETWORK	
	R803	QRE141J-561Y	560 1/4W R. NETWORK	
	R804	QRE141J-751Y	750 1/4W R. NETWORK	
	R805	QRE141J-132Y	1.3K 1/4W R. NETWORK	
	R806	QRE141J-222Y	2.2K 1/4W R. NETWORK	
	R807	QRE141J-431Y	430 1/4W R. NETWORK	
	R808	QRE141J-431Y	430 1/4W R. NETWORK	
	R809	QRE141J-561Y	560 1/4W R. NETWORK	
	R810	QRE141J-751Y	750 1/4W R. NETWORK	
	R811	QRE141J-132Y	1.3K 1/4W R. NETWORK	
	R812	QRE141J-331Y	330 1/4W R. NETWORK	
	R813	QRE141J-331Y	330 1/4W R. NETWORK	
	R814	QRE141J-331Y	330 1/4W R. NETWORK	
	R815	QRE141J-331Y	330 1/4W R. NETWORK	
	R816	QRE141J-331Y	330 1/4W R. NETWORK	
	R817	QRE141J-103Y	10K 1/4W R. NETWORK	
	R818	QRE141J-103Y	10K 1/4W R. NETWORK	
	R900	QRE141J-103Y	10K 1/4W R. NETWORK	
	R901	QRE141J-105Y	1M 1/4W R. NETWORK	
	R902	QRE141J-103Y	10K 1/4W R. NETWORK	
	R903	QRE141J-220Y	22 1/4W R. NETWORK	
	R904	QRE141J-222Y	2.2K 1/4W R. NETWORK	
	R905	QRE141J-103Y	10K 1/4W R. NETWORK	
	R906	QRE141J-221Y	220 1/4W R. NETWORK	
	R907	QRE141J-221Y	220 1/4W R. NETWORK	
	R908	QRE141J-221Y	220 1/4W R. NETWORK	
	R909	QRE141J-221Y	220 1/4W R. NETWORK	
	R910	QRE141J-221Y	220 1/4W R. NETWORK	
	R911	QRE141J-221Y	220 1/4W R. NETWORK	
	R915	QRE141J-682Y	6.8K 1/4W R. NETWORK	
	R918	QRE141J-431Y	430 1/4W R. NETWORK	
	R919	QRE141J-431Y	430 1/4W R. NETWORK	
	R920	QRE141J-561Y	560 1/4W R. NETWORK	
	R921	QRE141J-751Y	750 1/4W R. NETWORK	
	R922	QRE141J-132Y	1.3K 1/4W R. NETWORK	
	R923	QRE141J-222Y	2.2K 1/4W R. NETWORK	
	R924	QRE141J-512Y	5.1K 1/4W R. NETWORK	
	R925	QRE141J-431Y	430 1/4W R. NETWORK	
	R926	QRE141J-431Y	430 1/4W R. NETWORK	
	R927	QRE141J-561Y	560 1/4W R. NETWORK	

△	Item	Parts Number	Description	Area
	R928	QRE141J-751Y	750 1/4W R. NETWORK	
	R929	QRE141J-132Y	1.3K 1/4W R. NETWORK	
	R930	QRE141J-222Y	2.2K 1/4W R. NETWORK	
	R931	QRE141J-512Y	5.1K 1/4W R. NETWORK	
	R932	QRE141J-431Y	430 1/4W R. NETWORK	
	R933	QRE141J-431Y	430 1/4W R. NETWORK	
	R934	QRE141J-561Y	560 1/4W R. NETWORK	
	R935	QRE141J-751Y	750 1/4W R. NETWORK	
	R936	QRE141J-132Y	1.3K 1/4W R. NETWORK	
	R937	QRE141J-222Y	2.2K 1/4W R. NETWORK	
	R938	QRE141J-512Y	5.1K 1/4W R. NETWORK	
	R939	QRE141J-431Y	430 1/4W R. NETWORK	
	R940	QRE141J-431Y	430 1/4W R. NETWORK	
	R941	QRE141J-561Y	560 1/4W R. NETWORK	
	R942	QRE141J-751Y	750 1/4W R. NETWORK	
	R943	QRE141J-132Y	1.3K 1/4W R. NETWORK	
	R944	QRE141J-181Y	180 1/4W R. NETWORK	
	R945	QRE141J-181Y	180 1/4W R. NETWORK	
	R946	QRE141J-181Y	180 1/4W R. NETWORK	
	R947	QRE141J-181Y	180 1/4W R. NETWORK	
	R948	QRE141J-181Y	180 1/4W R. NETWORK	
	R949	QRE141J-181Y	180 1/4W R. NETWORK	
	R950	QRE141J-181Y	180 1/4W R. NETWORK	
	R951	QRE141J-181Y	180 1/4W R. NETWORK	
	R952	QRE141J-181Y	180 1/4W R. NETWORK	
	R953	QRE141J-221Y	220 1/4W R. NETWORK	
	R954	QRE141J-181Y	180 1/4W R. NETWORK	
	R955	QRE141J-181Y	180 1/4W R. NETWORK	
	R956	QRE141J-181Y	180 1/4W R. NETWORK	
	R957	QRE141J-181Y	180 1/4W R. NETWORK	
	R958	QRE141J-181Y	180 1/4W R. NETWORK	
	R959	QRE141J-181Y	180 1/4W R. NETWORK	
	R960	QRE141J-102Y	1K 1/4W R. NETWORK	
	R961	QRE141J-221Y	220 1/4W R. NETWORK	
	R962	QRE141J-102Y	1K 1/4W R. NETWORK	
	R963	QRE141J-222Y	2.2K 1/4W R. NETWORK	
	R964	QRE141J-221Y	220 1/4W R. NETWORK	
	R965	QRE141J-221Y	220 1/4W R. NETWORK	
	R966	QRE141J-221Y	220 1/4W R. NETWORK	
	R967	QRE141J-221Y	220 1/4W R. NETWORK	
	R968	QRE141J-221Y	220 1/4W R. NETWORK	
	R970	QRE141J-223Y	22K 1/4W R. NETWORK	
	R971	QRE141J-472Y	4.7K 1/4W R. NETWORK	
	R972	QRE141J-472Y	4.7K 1/4W R. NETWORK	
	R973	QRE141J-472Y	4.7K 1/4W R. NETWORK	
	R974	QRE141J-472Y	4.7K 1/4W R. NETWORK	
	R975	QRE141J-473Y	47K 1/4W R. NETWORK	
	R976	QRE141J-104Y	100K 1/4W R. NETWORK	
	R977	QRE141J-104Y	100K 1/4W R. NETWORK	
	R978	QRE141J-104Y	100K 1/4W R. NETWORK	
	R979	QRE141J-104Y	100K 1/4W R. NETWORK	
	R980	QRE141J-152Y	1.5K 1/4W R. NETWORK	
	R981	QRE141J-331Y	330 1/4W R. NETWORK	
	R982	QRE141J-103Y	10K 1/4W R. NETWORK	
	R983	QRE141J-103Y	10K 1/4W R. NETWORK	
	R984	QRE141J-103Y	10K 1/4W R. NETWORK	
	R985	QRE141J-152Y	1.5K 1/4W R. NETWORK	
	R986	QRE141J-331Y	330 1/4W R. NETWORK	
	R987	QRE141J-103Y	10K 1/4W R. NETWORK	
	R989	QRE141J-103Y	10K 1/4W R. NETWORK	
	R991	QRE141J-103Y	10K 1/4W R. NETWORK	
	RA901	QRB069J-222	2.2K 1/10W NETWORK RES.	
	R1101	QRE141J-472Y	4.7K 1/4W R. NETWORK	
	R1102	QRE141J-472Y	4.7K 1/4W R. NETWORK	
	R1103	QRE141J-154Y	150K 1/4W R. NETWORK	
	R1104	QRE141J-221Y	220 1/4W R. NETWORK	

■ Electrical Parts List (ENB-259 C. Mecha and System Control P.C.B.)

△	Item	Parts Number	Description	Area
	R1105	QRE141J-221Y	220 1/4W R. NETWORK	
	R1133	QRE141J-221Y	220 1/4W R. NETWORK	
	R1134	QRE141J-223Y	22K 1/4W R. NETWORK	
	R1135	QRE141J-433Y	43K 1/4W R. NETWORK	
	R1136	QRE141J-122Y	1. 2K 1/4W R. NETWORK	
	R1137	QRE141J-104Y	100K 1/4W R. NETWORK	
	VR233	QVPO008-103Z	10K VARIABLE	
	VR902	QVQ0032-B54	50K VARIABLE RES.	
		OTHERS		
	J081	QNB0038-001	SPK. TERMINAL	
	J801	QNS0026-001	JACK	
	K801	QQR0601-001Z	F. BEADS	
	L499	QQL121M-1R0Y	INDUCTOR	
	L801	QQL231K-470Y	INDUCTOR	
	L802	QQL231K-470Y	INDUCTOR	
	S801	QSW0499-001Z	PUSH SW I. M	
	S802	QSW0499-001Z	PUSH SW I. M	
	S803	QSW0499-001Z	PUSH SW I. M	
	S804	QSW0499-001Z	PUSH SW I. M	
	S805	QSW0499-001Z	PUSH SW I. M	
	S806	QSW0499-001Z	PUSH SW I. M	
	S807	QSW0499-001Z	PUSH SW I. M	
	S808	QSW0499-001Z	PUSH SW I. M	
	S809	QSW0499-001Z	PUSH SW I. M	
	S810	QSW0499-001Z	PUSH SW I. M	
	S811	QSW0499-001Z	PUSH SW I. M	
	S812	QSW0499-001Z	PUSH SW I. M	
	S813	QSW0499-001Z	PUSH SW I. M	
	S901	QSW0499-001Z	PUSH SW I. M	
	S902	QSW0499-001Z	PUSH SW I. M	
	S903	QSW0499-001Z	PUSH SW I. M	
	S904	QSW0499-001Z	PUSH SW I. M	
	S905	QSW0499-001Z	PUSH SW I. M	
	S906	QSW0499-001Z	PUSH SW I. M	
	S907	QSW0499-001Z	PUSH SW I. M	
	S908	QSW0499-001Z	PUSH SW I. M	
	S909	QSW0499-001Z	PUSH SW I. M	
	S910	QSW0499-001Z	PUSH SW I. M	
	S911	QSW0499-001Z	PUSH SW I. M	
	S912	QSW0499-001Z	PUSH SW I. M	
	S913	QSW0499-001Z	PUSH SW I. M	
	S914	QSW0499-001Z	PUSH SW I. M	
	S915	QSW0499-001Z	PUSH SW I. M	
	S916	QSW0499-001Z	PUSH SW I. M	
	S917	QSW0499-001Z	PUSH SW I. M	
	S918	QSW0499-001Z	PUSH SW I. M	
	S919	QSW0499-001Z	PUSH SW I. M	
	S920	QSW0499-001Z	PUSH SW I. M	
	S921	QSW0499-001Z	PUSH SW I. M	
	S922	QSW0499-001Z	PUSH SW I. M	
	S923	QSW0499-001Z	PUSH SW I. M	
	S924	QSW0499-001Z	PUSH SW I. M	
	S925	QSW0499-001Z	PUSH SW I. M	
	S926	QSW0499-001Z	PUSH SW I. M	
	S927	QSW0499-001Z	PUSH SW I. M	
	S928	QSW0499-001Z	PUSH SW I. M	
	S929	QSW0499-001Z	PUSH SW I. M	
	S930	QSW0499-001Z	PUSH SW I. M	
	W222	QWE351-200D	S. WIRE	
	X901	QAX0246-001Z	RESONATOR I. M	
	X902	QAX0250-001	RESONATOR	
	BK901	E309782-002SM	P. W. BOARD BRACKET	
	BK902	E310200-001SM	L. E. D. HOLDER	
	CN015	EMV5163-006R	CONNECTOR	
	CN101	EMV7163-012	CONNECTOR	
	CN121	EWS26C-A408	SOCKET WIRE ASSY	

△	Item	Parts Number	Description	Area
	CN301	EMV7172-014R	CONNECTOR	
	CN302	EMV7172-014R	CONNECTOR	
	CN313	QGB1214J1-14S	CONNECT TERMINAL	
	CN314	QGB1214J1-08S	CONNECTOR	
	CN401	EMV7123-029R	CONNECTOR	
	CN403	EMV7160-016	CONNECTOR	
	DI901	QLF0012-001	FLUORESCENT DISPLAY TUBE	
	FS901	E3400-439	FELT SPACER	
	FS902	E3400-439	FELT SPACER	
	FW401	VWSC12-083K3K	FLAT WIRE	
	FW402	EW33D-25KS	FLAT WIRE	
	FW412	EW34D-10LS	FLAT WIRE ASSY	
	JS801	QSW0502-001	SW	
	J1101	QNS0007-002	PIN JACK	
	J1102	QNS0007-002	PIN JACK	
	L1001	QQL231K-6R8Y	INDUCTOR I. M	
	RY001	QSK0057-001	RELAY	
	TW001	EW1015-001	TERMINAL WIRE	
	TW002	EW1015-020	TERMINAL WIRE ASSY	
	TW003	EW1015-018	TERMINAL WIRE ASSY	

■Electrical Parts List (ENN-506 GD Servo Control P.C.B.)

△	Item	Parts Number	Description	Area
		I. C. S		
	IC601	AN8906SB	I. C (MONO-ANALOG)	
	IC602	BA6897FPW	I. C.	
	IC603	MN35510	I. C (DIGI-MOS)	
		DIODES		
	D631	MTZ5.6JB	ZENER	
		TRANSISTORS		
	Q601	2SA952(L, K)	SILICON	
	Q632	2SC2060(Q, R)	SILICON	
		CAPACITORS		
	C602	QCZ0205-155	1.5MF 25V C. CAP.	
	C603	QFLB1HJ-104	0.1MF 50V MYLAR CAP.	
	C605	QETB1EM-106	10MF 25V AL E. CAP.	
	C606	QCB1HK-102	1000PF 50V CER. CAP.	
	C607	QCB1HK-102	1000PF 50V CER. CAP.	
	C608	QETB1EM-105	1MF 50V AL E. CAP.	
	C609	QCB1HK-101Y	100PF 50V CER. CAP.	
	C610	QFLB1HJ-273	0.027MF 50V MYLAR CAP.	
	C611	QDXB1CM-472Y	4700PF 16V C. CAP.	
	C612	QDYB1CM-103Y	0.01MF 16V C. CAP.	
	C613	QCB1HK-331Y	330PF 50V CER. CAP.	
	C614	QFLB1HJ-104	0.1MF 50V MYLAR CAP.	
	C615	QDVB1EZ-223Y	0.022MF 25V C CAP I M	
	C616	QDVB1EZ-223Y	0.022MF 25V C CAP I M	
	C617	QDVB1EZ-223Y	0.022MF 25V C CAP I M	
	C618	QDVB1EZ-223Y	0.022MF 25V C CAP I M	
	C619	QCB1HK-271Y	270PF 50V CER. CAP.	
	C620	QCSB1HJ-470	47PF 50V CER. CAP.	
	C621	QCB1HK-102	1000PF 50V CER. CAP.	
	C622	QCF31HZ-223Z	0.022MF 50V CERAMIC	
	C623	QFLB1HJ-104	0.1MF 50V MYLAR CAP.	
	C625	QCZ0205-155	1.5MF 25V C. CAP.	
	C630	QETB1AM-226	22MF 10V E. CAP.	
	C631	QETB1AM-477	470MF 10V E. CAP.	
	C632	QEK1AM-227Z	220MF 10V ELECTRO	
	C636	QETC1AM-107ZN	100MF 10V E. CAP.	
	C641	QDYB1CM-103Y	0.01MF 16V C. CAP.	
	C642	QFLB1HJ-103	0.01MF 50V MYLAR CAP.	
	C651	QCSB1HJ-120Y	12PF 50V CER. CAP.	
	C652	QCSB1HJ-120Y	12PF 50V CER. CAP.	
	C653	QDVB1EZ-223Y	0.022MF 25V C CAP I M	
	C655	QFVJ1HJ-104Z	0.1MF 50V T. FILM	
	C661	QCB1HK-471Y	470PF 50V CER. CAP.	
	C662	QFVJ1HJ-104Z	0.1MF 50V T. FILM	
	C663	QFLB1HJ-223	0.022MF 50V MYLAR CAP.	
	C664	QDVB1EZ-223Y	0.022MF 25V C CAP I M	
	C665	QFVJ1HJ-104Z	0.1MF 50V T. FILM	
	C671	QDXB1CM-222Y	2200PF 16V C. CAP.	
	C672	QDXB1CM-222Y	2200PF 16V C. CAP.	
	C674	QDVB1EZ-223Y	0.022MF 25V C CAP I M	
	C675	QDVB1EZ-223Y	0.022MF 25V C CAP I M	
	C679	QEK1AM-107Z	100MF 10V ELECTRO	
	C683	QFLB1HJ-103	0.01MF 50V MYLAR CAP.	
	C689	QDYB1CM-103Y	0.01MF 16V C. CAP.	
	C693	QEK1AM-227Z	220MF 10V ELECTRO	
	C698	QCZ0202-155	1.5MF 25V CER. CAP.	
		RESISTORS		
	R601	QRE141J-123Y	12K 1/4W R. NETWORK	
	R603	QRE141J-125Y	1.2M 1/4W R. NETWORK	
	R605	QRE141J-274Y	270K 1/4W R. NETWORK	
	R606	QRE141J-154Y	150K 1/4W R. NETWORK	
	R607	QRE141J-273Y	27K 1/4W R. NETWORK	
	R609	QRE141J-114Y	110K 1/4W R. NETWORK	
	R610	QRE141J-104Y	100K 1/4W R. NETWORK	
	R611	QRE141J-473Y	47K 1/4W R. NETWORK	
	R612	QRE141J-822Y	8.2K 1/4W R. NETWORK	

△	Item	Parts Number	Description	Area
	R613	QRE141J-121Y	120 1/4W R. NETWORK	
	R614	QRE141J-100Y	10 1/4W R. NETWORK	
	R615	QRE141J-120Y	12 1/4W R. NETWORK	
	R616	QRE141J-910Y	91 1/4W R. NETWORK	
	R632	QRE141J-151Y	150 1/4W R. NETWORK	
	R641	QRE141J-683Y	68K 1/4W R. NETWORK	
	R642	QRE141J-222Y	2.2K 1/4W R. NETWORK	
	R643	QRE141J-822Y	8.2K 1/4W R. NETWORK	
	R644	QRE141J-223Y	22K 1/4W R. NETWORK	
	R645	QRE141J-223Y	22K 1/4W R. NETWORK	
	R646	QRE141J-222Y	2.2K 1/4W R. NETWORK	
	R647	QRE141J-472Y	4.7K 1/4W R. NETWORK	
	R650	QRE141J-182Y	1.8K 1/4W R. NETWORK	
	R651	QRE141J-102Y	1K 1/4W R. NETWORK	
	R652	QRE141J-102Y	1K 1/4W R. NETWORK	
	R653	QRE141J-102Y	1K 1/4W R. NETWORK	
	R660	QRE141J-102Y	1K 1/4W R. NETWORK	
	R661	QRE141J-683Y	68K 1/4W R. NETWORK	
	R662	QRE141J-275Y	2.7M 1/4W R. NETWORK	
	R663	QRE141J-124Y	120K 1/4W R. NETWORK	
	R664	QRE141J-471Y	470 1/4W R. NETWORK	
	R666	QRE141J-220Y	22 1/4W R. NETWORK	
	R667	QRE141J-220Y	22 1/4W R. NETWORK	
	R671	QRE141J-102Y	1K 1/4W R. NETWORK	
	R672	QRE141J-102Y	1K 1/4W R. NETWORK	
	R678	QRE141J-102Y	1K 1/4W R. NETWORK	
	R679	QRE141J-102Y	1K 1/4W R. NETWORK	
	R680	QRE141J-102Y	1K 1/4W R. NETWORK	
	R682	QRE141J-102Y	1K 1/4W R. NETWORK	
	R683	QRE141J-102Y	1K 1/4W R. NETWORK	
	R684	QRE141J-102Y	1K 1/4W R. NETWORK	
	R685	QRE141J-102Y	1K 1/4W R. NETWORK	
	R686	QRE141J-102Y	1K 1/4W R. NETWORK	
	R687	QRE141J-102Y	1K 1/4W R. NETWORK	
	R688	QRE141J-102Y	1K 1/4W R. NETWORK	
	R690	QRE141J-821Y	820 1/4W R. NETWORK	
	R691	QRE141J-102Y	1K 1/4W R. NETWORK	
	R692	QRE141J-271Y	270 1/4W R. NETWORK	
	R693	QRE141J-101Y	100 1/4W R. NETWORK	
	R694	QRE141J-101Y	100 1/4W R. NETWORK	
	R695	QRE141J-271Y	270 1/4W R. NETWORK	
	R696	QRE141J-101Y	100 1/4W R. NETWORK	
	R697	QRE141J-101Y	100 1/4W R. NETWORK	
	R698	QRE141J-102Y	1K 1/4W R. NETWORK	
	R699	QRE141J-102Y	1K 1/4W R. NETWORK	
		OTHERS		
	X651	QAX0007-001Z	RESONATOR I. M	
	CN112	EWS26C-A910	SOCKET WIRE ASSY	
	CN113	EWS26B-A910J	SOCKET WIRE ASSY	
	CN514	EMV7123-012R	CONNECTOR	
	CN515	EWS326-A928J	SOCKET WIRE ASSY	
	CN601	EMV7171-115R	15FFC CONNECTOR	
	CN602	VMC0075-006	6P PLUG ASSY	
	CN603	VMC0163-R07	CONNECTOR	
	CN604	VMC0163-R11	CONNECTOR	
	CN606	EMV7171-115R	15FFC CONNECTOR	
	TP601	QMV5004-002K	PLUG ASSY	
	TW601	ENF102-047	TERMINAL WIRE	

■ Electrical Parts List (Changer Control P.C.B.)

△	Item	Parts Number	Description	Area
		I. C. S		
	IC801	UPD65612GB-208	I. C (M)	
	IC802	TA8409S	I. C (MONO-ANALOG)	
	IC803	TA8409S	I. C (MONO-ANALOG)	
		CAPACITORS		
	C801	QEK51AM-107	AL. E. CAP.	
	C802	QEK51EM-475	AL. E. CAP.	
	C803	QFLB1HJ-102	1000PF 50V MYLAR CAP.	
	C804	QCFB1HZ-104Y	0.1MF 50V CER. CAP.	
	C805	QCVB1CM-103Y	0.01MF 16V CER. CAP.	
	C806	QEK51CM-476	AL. E. CAP.	
	C807	QEK51CM-476	AL. E. CAP.	
	C808	QFLB1HJ-102	1000PF 50V MYLAR CAP.	
	C810	QCZ0205-155	1.5MF 25V C. CAP.	
	C811	QCZ0205-155	1.5MF 25V C. CAP.	
	C813	QCVB1CM-103Y	0.01MF 16V CER. CAP.	
	C821	QCB1HK-102Y	1000PF 50V CER. CAP.	
		RESISTORS		
	R805	QRD161J-102	1K 1/6W CARBON RES.	
	R806	QRD161J-471	470 1/6W CARBON RES.	
	R807	QRD161J-471	470 1/6W CARBON RES.	
	R808	QRD161J-102	1K 1/6W CARBON RES.	
	R810	QRD161J-684	680K 1/6W CARBON RES.	
	R811	QRD161J-105	1M 1/6W CARBON RES.	
	R813	QRD161J-102	1K 1/6W CARBON RES.	
	R814	QRD161J-102	1K 1/6W CARBON RES.	
	R815	QRD161J-102	1K 1/6W CARBON RES.	
	R816	QRD161J-102	1K 1/6W CARBON RES.	
	R817	QRD161J-102	1K 1/6W CARBON RES.	
	R818	QRD161J-102	1K 1/6W CARBON RES.	

△	Item	Parts Number	Description	Area
	R819	QRD161J-102	1K 1/6W CARBON RES.	
	R820	QRD161J-102	1K 1/6W CARBON RES.	
	R821	QRD161J-102	1K 1/6W CARBON RES.	
	R822	QRD161J-102	1K 1/6W CARBON RES.	
	R823	QRD161J-102	1K 1/6W CARBON RES.	
	R824	QRD161J-102	1K 1/6W CARBON RES.	
	R825	QRD161J-102	1K 1/6W CARBON RES.	
	R826	QRD161J-102	1K 1/6W CARBON RES.	
	R827	QRD161J-102	1K 1/6W CARBON RES.	
	R828	QRD161J-102	1K 1/6W CARBON RES.	
	R829	QRD161J-102	1K 1/6W CARBON RES.	
	R830	QRD161J-102	1K 1/6W CARBON RES.	
	R832	QRD161J-181	180 1/6W CARBON RES.	
	R833	QRD161J-102	1K 1/6W CARBON RES.	
	R834	QRD161J-102	1K 1/6W CARBON RES.	
	R839	QRD167J-332	3.3K 1/6W CARBON RES.	
	R840	QRD167J-562	5.6K 1/6W CARBON RES.	
		OTHERS		
		VWV1377-004A	PW BOARD	
		SBSF2608Z	TAPPING SCREW	
		VYH7237-001SS	IC HOLDER	
	L801	VQP0018-100	INDUCTOR	
	L802	VQP0033-100Z	INDUCTOR	
	L803	VQP0033-100Z	INDUCTOR	
	L804	VQP0033-100Z	INDUCTOR	
	CN801	VMC0163-R10	CONNECT TERMINAL	
	CN802	VMC0289-S07	CONNECT TERMINAL	
	CN803	VMC0324-12310	CONNECT TERMINAL	

CA-V808T

■ Electrical Parts List (CD Select Switch P.C.B.)

△	Item	Parts Number	Description	Area
		OTHERS		
	CN804	VMC0289-S07	CONNECTOR	
	SW1	QSEC001-E03	SWITCH	
	SW2	QSEC001-E03	SWITCH	
	SW3	QSEC001-E03	SWITCH	
	SW4	QSEC001-E03	SWITCH	
	SW5	QSEC001-E03	SWITCH	
	SW6	QSEC001-E03	SWITCH	



JVC

VICTOR COMPANY OF JAPAN, LIMITED

AUDIO DIVISION, 10-1, 1Chome, Ohwatari-machi, maebashi-city 371-8543, Japan